

T80 THERMOSTATIC EASI-FIT+ ELECTRIC SHOWER

ENTRY POINTS

Diagram Key:



Rear Entry

Water Entry Points



Rear Entry

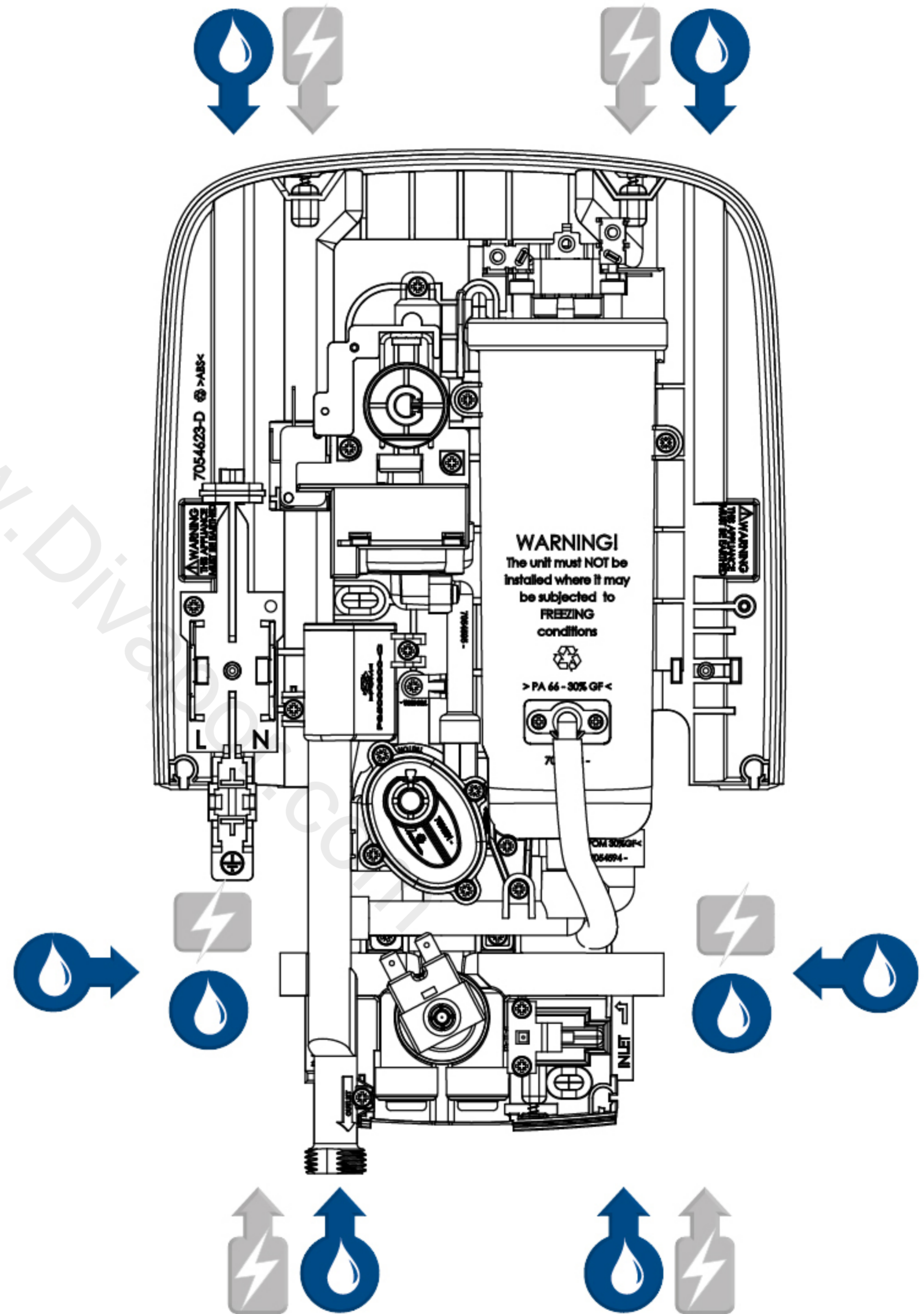
Cable Entry Points

Dimensions:

H: 346mm

W: 225mm

D: 111mm



TRITON

See you first thing Britain