

AXOR Bouroullec
3-hole basin mixer 90 with pop-up waste set
 Finish: **Chrome** Article Number: **19146000**



product features

- ComfortZone 60
- projection: 160 mm
- handle variant: cylinder handle
- spray type: laminar spray
- maximum flow rate at 3 bar: 5 l/min
- ceramic valves hot/ cold 180°
- suitable for continuous flow water heaters
- pop-up waste set G 1 1/4
- connection type: G 3/8 connections
- connection dimension: DN15

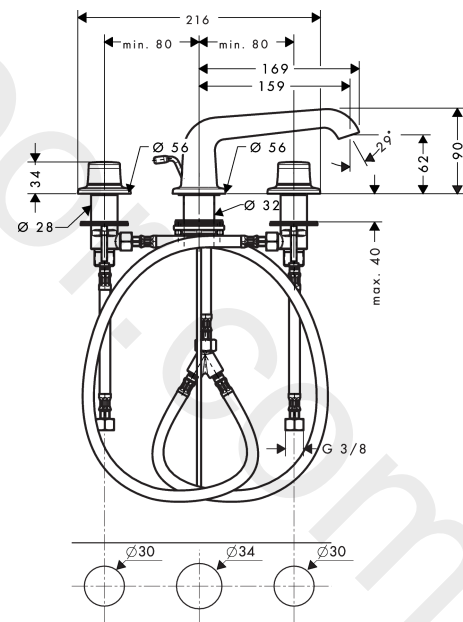
Technology



Product image



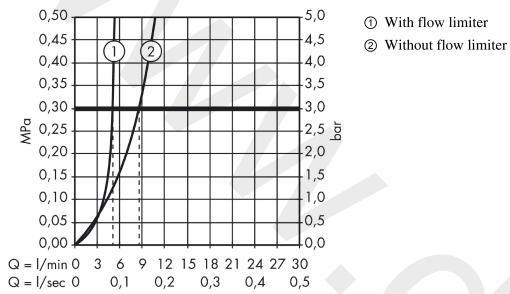
Scale drawing



AXOR Bouroullec
3-hole basin mixer 90 with pop-up waste set
 Finish: **Chrome** Article Number: **19146000**



Flowchart

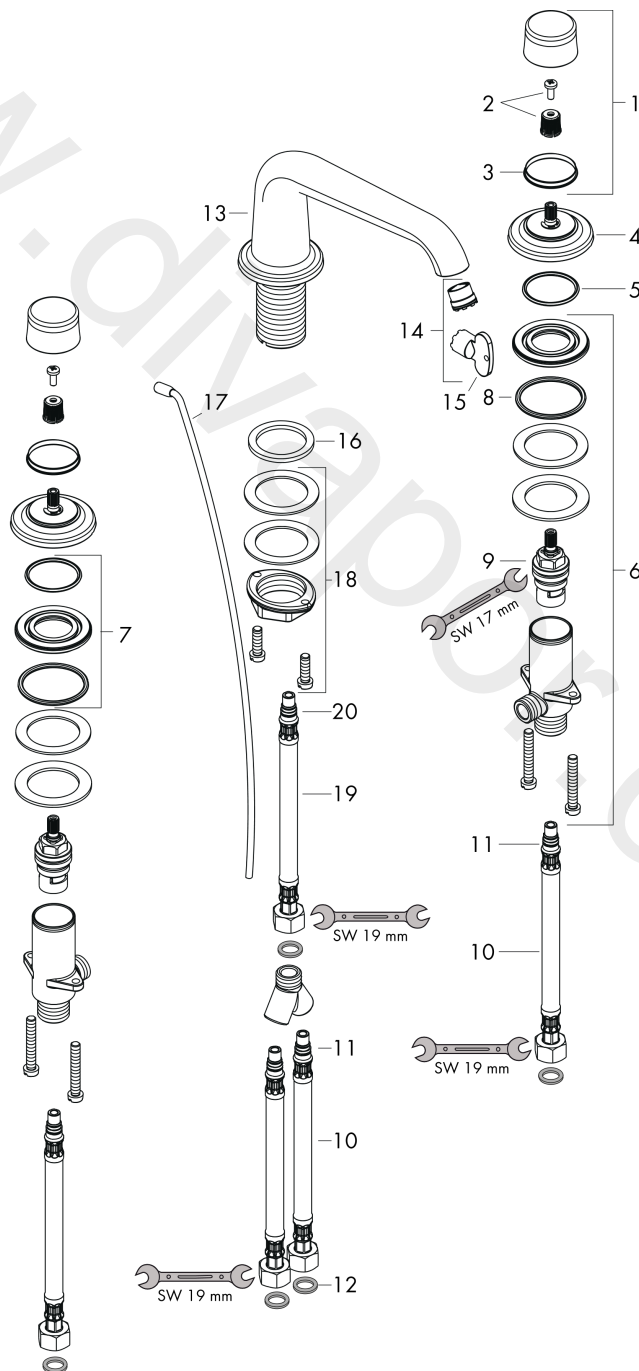


AXOR Bouroullec
3-hole basin mixer 90 with pop-up waste set
Finish: **Chrome** Article Number: **19146000**



Exploded Drawing

Year of production: >10/11



AXOR Bouroullec
3-hole basin mixer 90 with pop-up waste set
 Finish: **Chrome** Article Number: **19146000**



Spare part list

Year of production: >10/11

Pos.		Article Number	Price	PU
1	handle	95732000	£ 64,00	1
2	handle fixing set	98932000	£ 16,10	1
3	set of color-rings cold / hot water	97147000	£ 16,10	1
4	escutcheon	95731000	£ 64,00	1
5	O-Ring 32x2,5	96364000	£ 25,00	1
6	stop valve cpl.	97357000	£ 137,00	1
7	nut	92854000	£ 20,50	1
8	O-ring 40x3	92634000	£ 3,30	1
9	shut off unit	94149000	£ 35,00	1
10	connection hose 450 mm M10x1 G3/8	96507000	£ 43,00	1
11	O-ring 8x1,75	97827000	£ 3,30	1
12	sealing set	95581000	£ 6,10	1
13	spout cpl.	95912000	£ 445,00	1
14	aerator laminar M16,5x1 (5 l/min)	95382000	£ 43,00	1
15	special tool	98987000	£ 9,00	1
16	pull rod	95706000	£ 35,00	1
17	flat seal	98749000	£ 6,10	1
18	fixing set (Ø 32)	13961000	£ 25,00	1
19	connection hose 450 mm M8x0,75 G3/8	97206000	£ 35,00	1
20	O-ring 7x1,5	98422000	£ 3,30	1
a	fixation extension 35 mm	13898000	£ 79,00	1