

RADA T1 100 TIMED FLOW PILLAR TAP



- WRAS Approved
- KIWA Approved
- Robust design
- Vandal resistant control knob
- Vandal resistant non-removable flow straightener
- Energy and water saving - adjustable flow
- Easy servicing - one piece cartridge
- Non-concussive action
- Red or blue temperature indicator included



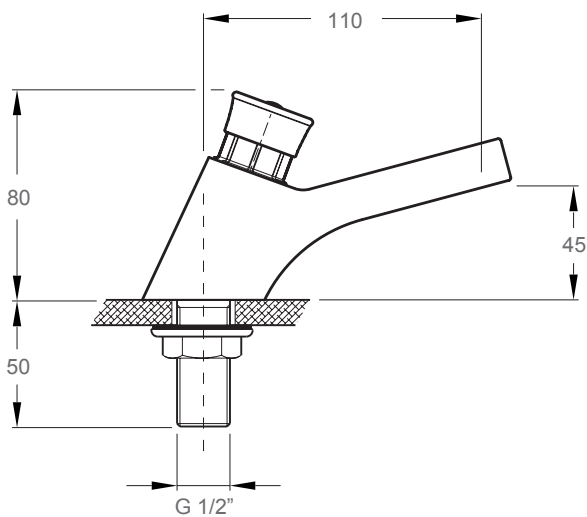
Specify as: Rada T1 100 (2.1762.056)

Basin mounted push button tap with 12 (±3) seconds time flow for use on basins or counter tops.

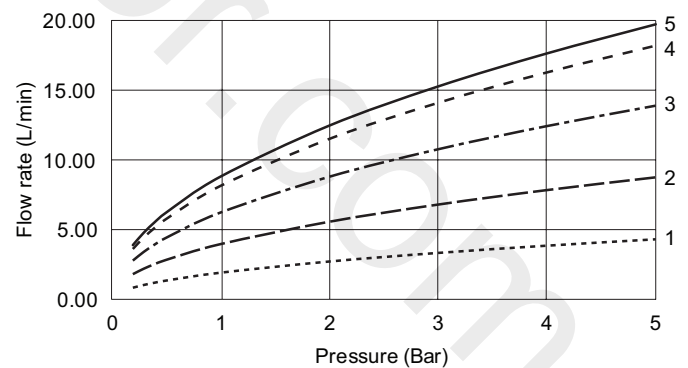
The internal time flow cartridge provides a choice of 5 flow settings to give the most economical flow rate over the pressure range available.

Note! The cartridge is set in the mid-restriction position.

Dimensions (mm)



Flow



Kohler Mira Limited
 Cromwell Road
 Cheltenham
 Gloucestershire
 GL52 5EP

Specification Enquiries
 Tel: 0844 571 1777
 Fax: 0844 472 3076
 Email: rada_technical@mirashowers.com
 www.radacontrols.com



TECHNICAL SPECIFICATION

Installation and Maintenance

Please refer to the appropriate Product Manual.

Connections

Inlets: ½" BSP male parallel thread to BS2779, suitable for standard end feed tap connector.

Approvals

WRAS listed (Water Regulations Advisory Scheme).

KIWA UK Approved.

Designed, manufactured and supported in accordance with accredited BS EN ISO 9001:2008 Quality Management Systems and BS EN ISO 14001:2004 Environmental Management Systems.

Operation

The taps are designed to give approximately 12 (+/- 3) seconds of flow duration when the button is pressed and released.

Note! Red and Blue indices are supplied for use in the control knob to denote applicable supply.

Materials

Body: Chrome plated brass

Push Button: Chrome plated brass

Temperature Range

Maximum water temperature: 80°C.

Note! for safety reasons it is recommended that hot maximum temperature used for hand washing be pre-set at 40°C using a Rada/ Meynell Thermostatic Mixing Valve. Please contact Specification Enquiries for advice.

Pressures

Minimum Operational Pressure: **0.2 bar**

Maximum Operational Pressure: **5 bar**

Maximum Static Pressure: **10 bar**

Kohler Mira Limited
Cromwell Road, Cheltenham
Gloucestershire, GL52 5EP

Specification Enquiries
Tel: 0844 571 1777 , Fax: 0844 472 3076
Email: rada_technical@mirashowers.com
www.radacontrols.com

Rada is a registered trademark of Kohler Mira Limited.
The company reserves the right to alter product specification without notice.
© January 2012 Kohler Mira Limited. All rights reserved.
No part of this document, or any accompanying document, may be reproduced or transmitted in any form or by any means, including photocopying or electronically, without the permission of Kohler Mira Limited.

A **KOHLER** COMPANY



FM 14648

