

RADA T2 300, T2 300B AND T2 320 TIMED FLOW SHOWER CONTROL

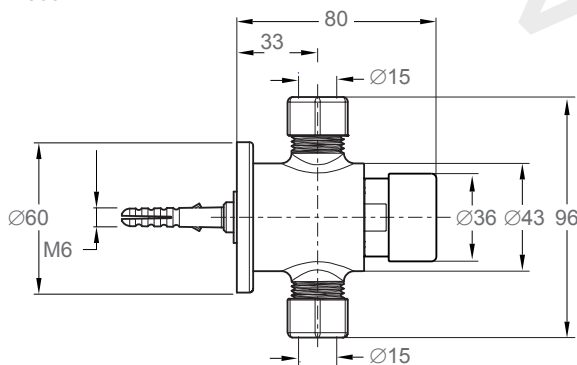


- WRAS Approved
- KIWA Approved
- Aesthetic and robust design
- Energy and water saving - adjustable flow
- Easy servicing - one piece cartridge
- Non-concussive action



Dimensions (mm)

T2 300



Specify as: Rada T2 300 (2.1762.063)

Surface mount, chrome finish, push button shower control with 30 (±10) seconds time flow.

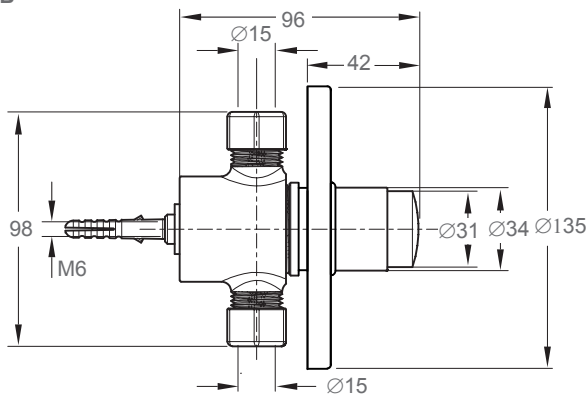
Specify as: Rada T2 300B (2.1762.061)

Built in, chrome finish, push button shower control with 30 (±10) seconds time flow.

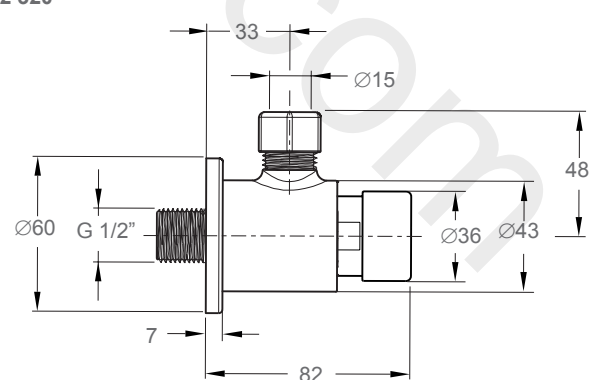
Specify as: Rada T2 320 (2.1762.062)

Surface mount, chrome finish, push button shower control for use with 30 (±10) seconds time flow.

T2 300B



T2 320



TECHNICAL SPECIFICATION

Installation and Maintenance

Please refer to the appropriate Product Manual.

Connections

T2 300 Inlets/Outlet: 15 mm compression
 T2 300B Inlets/Outlet: 15 mm compression
 T2 320 Inlet: 1/2" BSP male parallel threaded
 outlet: 15 mm compression

Approvals

WRAS listed (Water Regulations Advisory Scheme).
 KIWA UK Approved.
 Designed, manufactured and supported in accordance with accredited
 BS EN ISO 9001:2008 Quality Management Systems and BS EN ISO
 14001:2004 Environmental Management Systems.

Operation

The shower controls are designed to give approximately 30 (+/- 10)
 seconds of flow duration when the button is pressed and released.

Materials

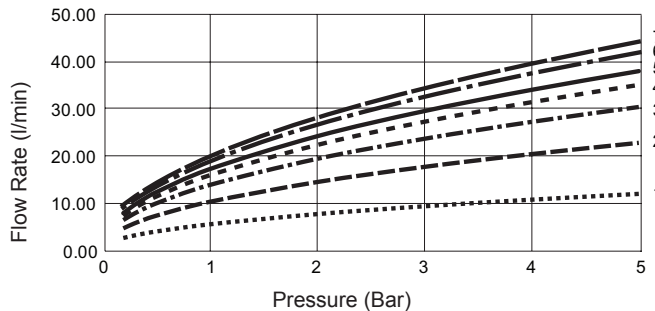
Body: Chrome plated brass
 Push Button: Chrome plated brass
 Concealing Plate on T2 300B: Chrome plated brass

Pressures

Minimum Operational Pressure: **0.2 bar**
 Maximum Operational Pressure: **5 bar**
 Maximum static pressure: **10 bar**

The internal time flow cartridge provides a choice of 7 flow settings to
 give the most economical flow rate over the pressure range available.
 The cartridge is factory set in the minimum flow restriction position.
 This can be adjusted to suit individual site requirements.

Flow



Weight

Product	Gross Weight (kg's)	Total Packaged Weight (kg's)
Rada T2 300	0.545	0.625
Rada T2 300B	0.705	0.785
Rada T2 320	0.545	0.625