

RADA T4 105 TIMED FLOW PILLAR TAP AND RADA T4 125 TIMED FLOW MIXER TAP

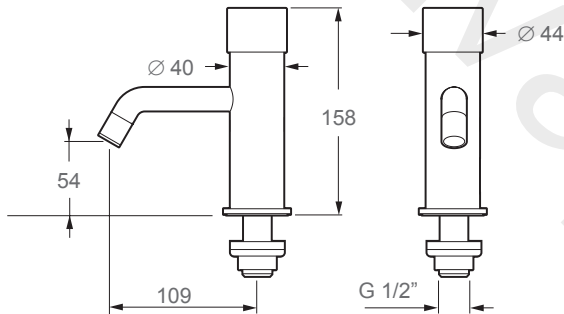


- WRAS Approved
- KIWA Approved
- Contemporary design
- Energy and water saving - adjustable flow and adjustable time
- Easy servicing - one piece cartridge
- Non-concussive action
- Fits standard washbasin and tap holes



Dimensions (mm)

T4 105



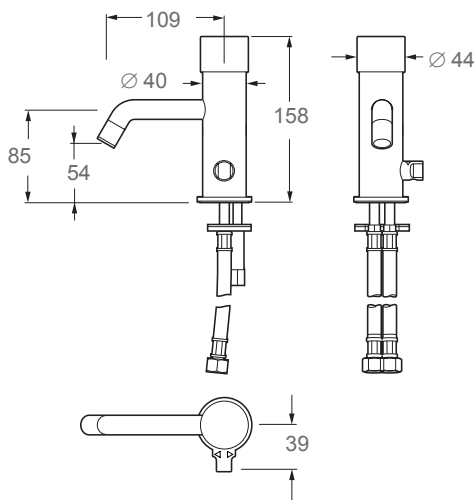
Specify as: Rada T4 105 (2.1762.077 Hot), (2.1762.078 Cold)

Contemporary deck/basin mounted push button tap with adjustable flow rate and duration (5-20 seconds) for use on basins or counter tops.

Specify as: Rada T4 125 (2.1762.079)

Contemporary deck/basin mounted push button tap with adjustable flow rate and duration (5-20 seconds) for use on basins or counter tops.

T4 125



Kohler Mira Limited

Cromwell Road
Cheltenham
Gloucestershire
GL52 5EP

Specification Enquiries

Tel: 0844 571 1777
Fax: 0844 472 3076
Email: rada_technical@mirashowers.com
www.radacontrols.com

TECHNICAL SPECIFICATION

Installation and Maintenance

Please refer to the appropriate Product Manual.

Connections

T4 105:

Inlets: 1/2" BSP male parallel thread to BS2779, suitable for standard end feed tap connector.

T4 125:

Inlets: 3/4" BSP female union nuts at the end of the flexible tails with 3/8" x 1/2" male compression adaptor supplied.

Approvals

WRAS listed (Water Regulations Advisory Scheme).

KIWA UK Approved.

Designed, manufactured and supported in accordance with accredited BS EN ISO 9001:2008 Quality Management Systems and BS EN ISO 14001:2004 Environmental Management Systems.

Operation

The taps can be adjusted to give a flow duration of between 5 and 20 seconds when the button is pressed and released.

The volume of flow can also be adjusted.

Materials

Body: Chrome plated brass.

Push Button: Chrome plated brass

Temperature Range

Maximum water temperature: 80°C.

Note! for safety reasons it is recommended that hot maximum temperature used for hand washing be pre-set at 40°C using a Rada/ Meynell Thermostatic Mixing Valve. Please contact Specification Enquiries for advice.

Pressures

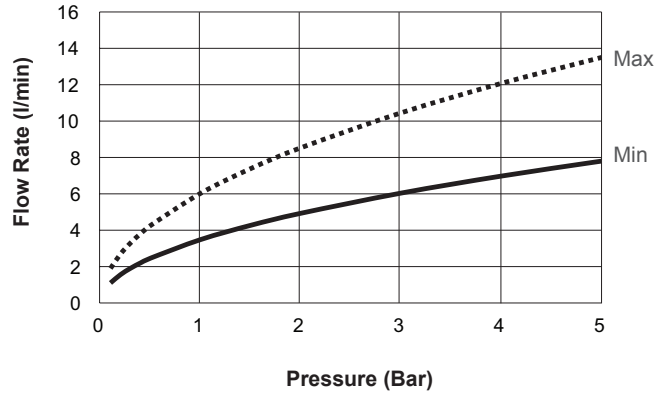
Minimum Operational Pressure T4 105, T4 125: **1.0 Bar**

Maximum Operational Pressure T4 105, T4 125: **5.0 Bar**

Maximum static pressure: **10 Bar**

Flow Diagram

T4 105



T4 125

