

RADA T4 100 TIMED FLOW PILLAR TAP AND RADA T4 120 TIMED FLOW MIXER TAP

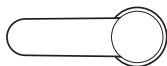
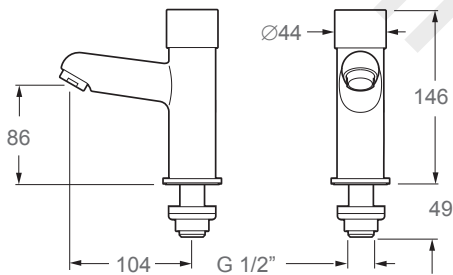


- WRAS Approved
- KIWA Approved
- Contemporary design
- Energy and water saving - adjustable flow and adjustable time
- Easy servicing - one piece cartridge
- Non-concussive action

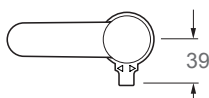
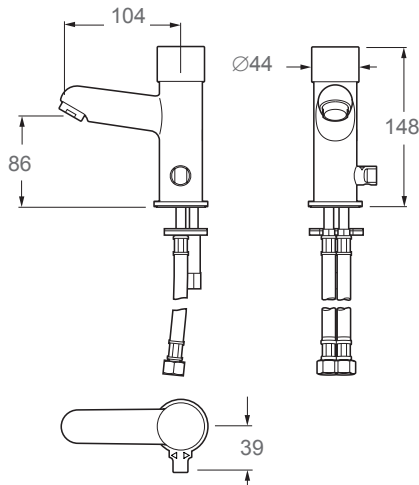


Dimensions (mm)

T4 100



T4 120



Specify as: Rada T4 100 (2.1762.080 Hot), (2.1762.081 Cold)
Contemporary deck/basin mounted push button tap with adjustable flow rate and duration (5-20) seconds for use on basins or counter tops.

Specify as: Rada T4 120 (2.1762.082)
Contemporary deck/basin mounted push button mixer tap with adjustable flow rate and duration (5-20) seconds for use on basins or counter tops.

Kohler Mira Limited
Cromwell Road
Cheltenham
Gloucestershire
GL52 5EP

Specification Enquiries
Tel: 0844 571 1777
Fax: 0844 472 3076
Email: rada_technical@mirashowers.com
www.radacontrols.com



TECHNICAL SPECIFICATION

Installation and Maintenance

Please refer to the appropriate Product Manual.

Connections

T4 100:

Inlets: ½" BSP male parallel thread to BS2779, suitable for standard end feed tap connector.

T4 120:

Inlets: ½" BSP female union nuts at the end of flexible tails.

Approvals

WRAS listed (Water Regulations Advisory Scheme).

KIWA UK Approved.

Designed, manufactured and supported in accordance with accredited BS EN ISO 9001:2008 Quality Management Systems and BS EN ISO 14001:2004 Environmental Management Systems.

Operation

The taps can be adjusted to give a flow duration of between 5 and 20 seconds when the button is pressed and released.

The volume of flow can also be adjusted.

Materials

Body: Chrome plated brass.

Push Button: Chrome plated brass

Temperature Range

Maximum water temperature: 80°C.

Note! for safety reasons it is recommended that hot maximum temperature used for hand washing be pre-set at 40°C using a Rada/ Meynell Thermostatic Mixing Valve. Please contact Specification Enquiries for advice.

Pressures

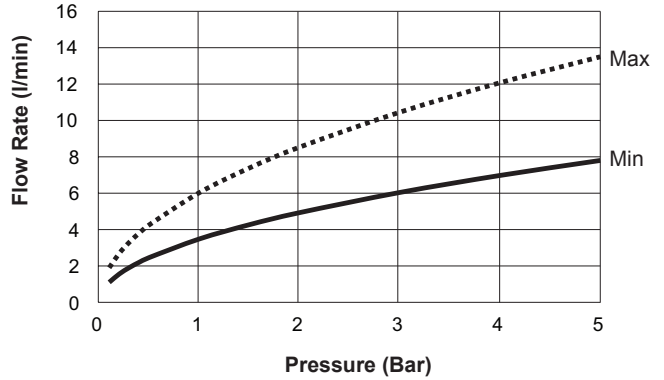
Minimum Operational Pressure: T4 100, T4 120: **1.0 Bar**

Maximum Operational Pressure: T4 100, T4 120: **5.0 Bar**

Maximum static pressure: **10 Bar**

Flow Diagram

T4 100



T4 120

