

RADA TL 100 LEVER OPERATED TIMED FLOW TAP AND
RADA TL 195 KNEE OPERATED TIMED FLOW TAP

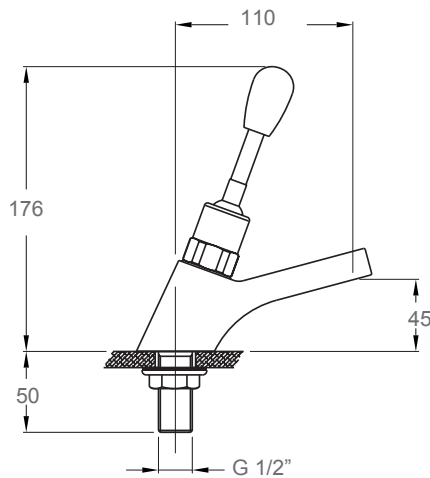


- WRAS Approved
- KIWA Approved
- Robust design
- Lever control and fits standard washbasins and tap holes (TL 100)
- Vandal resistant non-removable flow straightener (TL 100)
- Energy and water saving - adjustable flow
- Easy servicing - one piece cartridge
- Non-concussive action



Dimensions (mm)

TL100



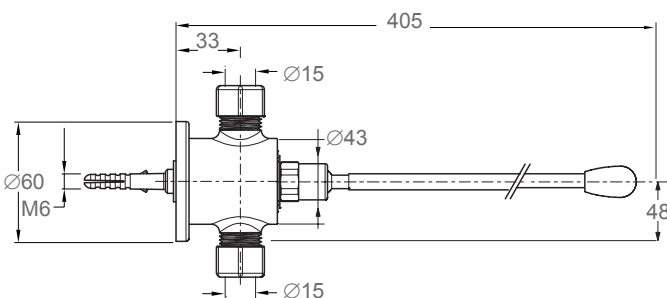
Specify as: Rada TL 100 (2.1762.085)

Lever operated basin mounted tap with 12 (± 3) second time flow for use on basins or counter tops.

Specify as: Rada TL 195 (2.1762.094)

Knee operated time flow control for use under basins where there is a requirement to avoid hand control with 12 (± 3) second time flow.

TL195



Kohler Mira Limited
Cromwell Road
Cheltenham
Gloucestershire
GL52 5EP

Specification Enquiries

Tel: 0844 571 1777
Fax: 0844 472 3076
Email: rada_technical@mirashowers.com
www.radacontrols.com

rada

TECHNICAL SPECIFICATION

Installation and Maintenance

Please refer to the appropriate Product Manual.

Connections

TL 100 Inlets: 1/2" BSP male parallel thread.
 TL 195 Inlet: 15 mm compression.
 Outlet: 15 mm compression.

Approvals

WRAS listed (Water Regulations Advisory Scheme).
 KIWA UK Approved.
 Designed, manufactured and supported in accordance with accredited BS EN ISO 9001:2008 Quality Management Systems and BS EN ISO 14001:2004 Environmental Management Systems.

Operation

The taps are designed to give approximately 12 (+/- 3) seconds of flow duration when the button is pressed and released.
 The lever on the TL 195 can be deflected in any direction to activate flow.

Materials

Body: Chrome plated brass.
 TL 195 Lever: Extruded nylon.

Temperature Range

Maximum water temperature: 80°C.

Note! for safety reasons it is recommended that hot maximum temperature used for hand washing be pre-set at 40°C using a Rada/ Meynell Thermostatic Mixing Valve. Please contact Specification Enquiries for advice.

Pressures

Minimum Operational Pressure: **0.2 Bar**
 Maximum Operational Pressure: **5 Bar**
 Maximum static pressure: **10 Bar**

The internal time flow cartridge provides a choice of 5 flow settings to give the most economical flow rate over the pressure range available.

Note! The cartridge is set in the mid-restriction position.

Flow

