
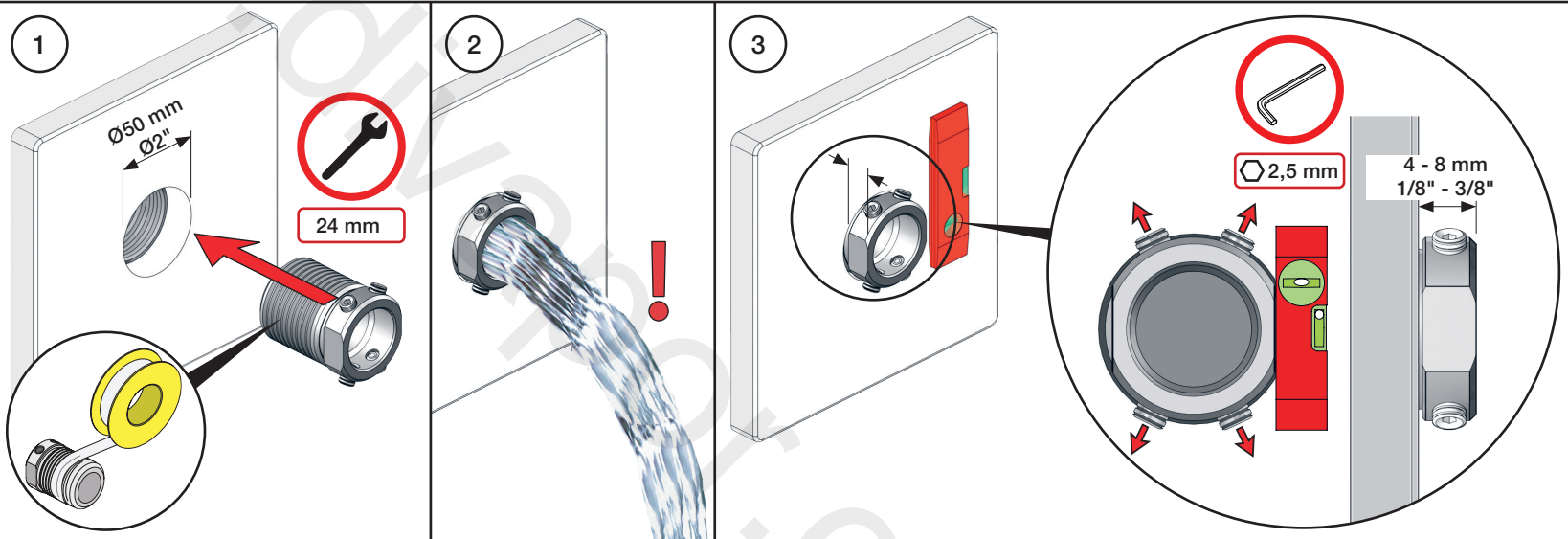
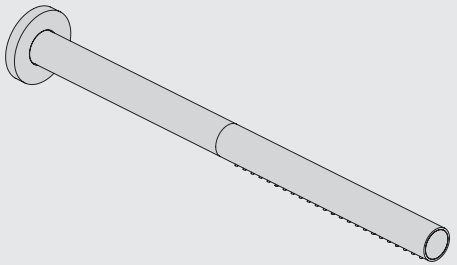
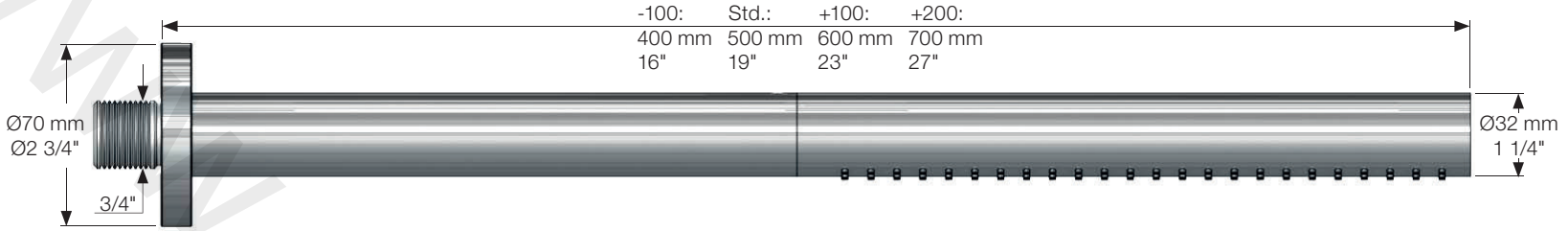
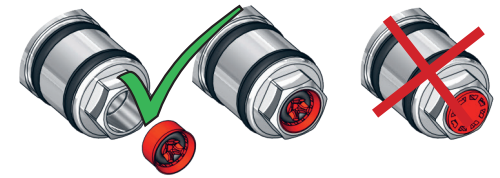


| Data | Bar: | 1 | 2 | 3 | 4 | 5 |
|---|----------------------|-------------|-------------|-----------|-----------|-------------|
| 080ST | (l/min) (Gal/min) | 14.4 3.8 | 20.4 5.4 | 25 6.6 | 29 7.7 | 32.3 8.5 |
|  | Max. 65°C, 150°F | | | | | |

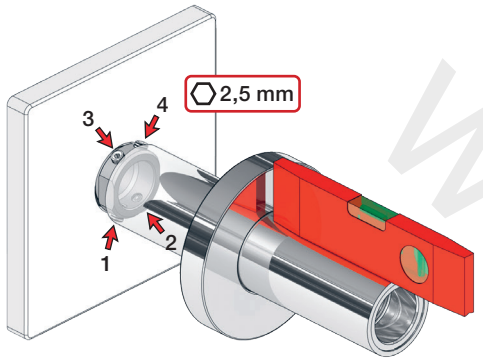


VR161:

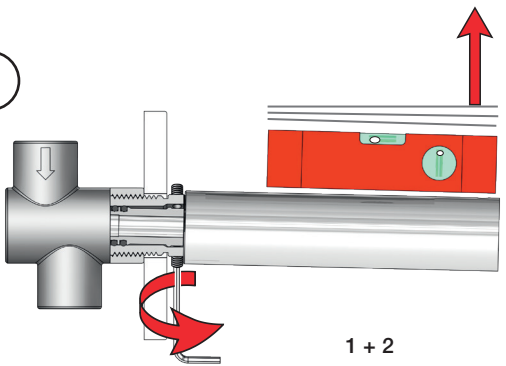
VR161K: 7 l/min - 1.8 Gal/min
 VR161D: 9 l/min - 2.5 Gal/min
 VR161F: 14 l/min - 3.7 Gal/min



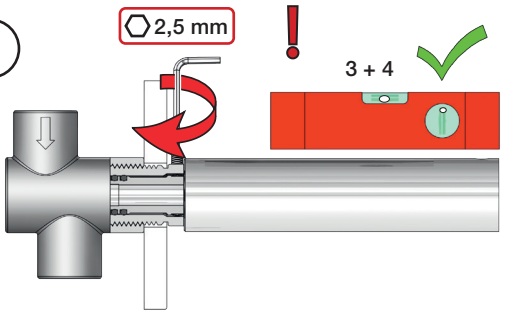
5



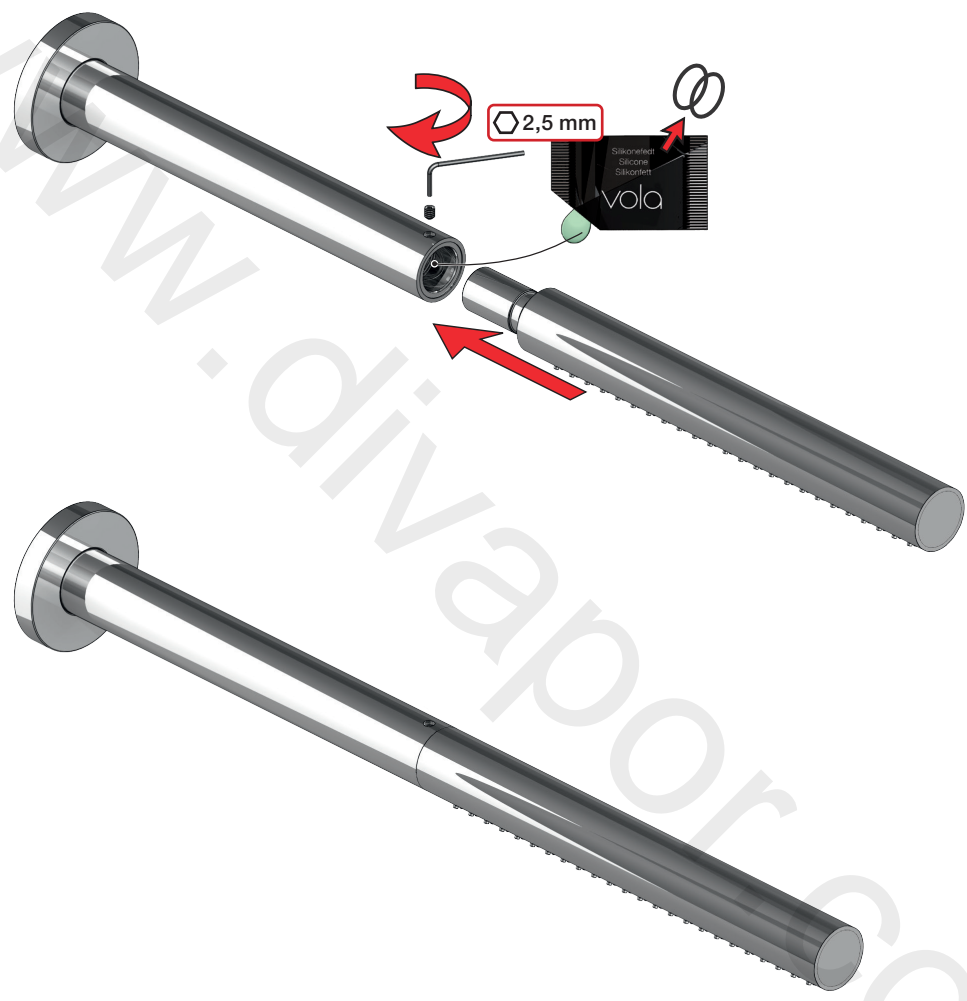
6



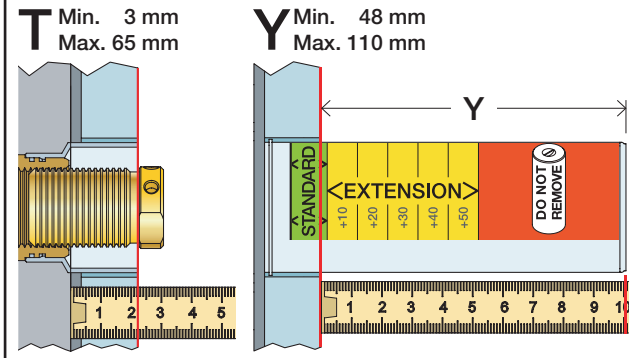
7



8

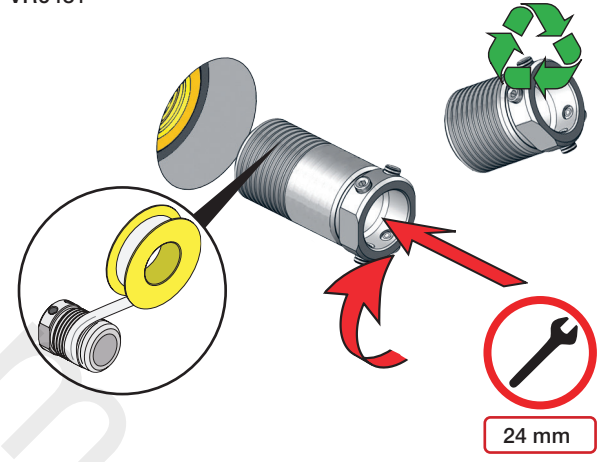


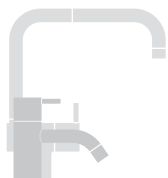
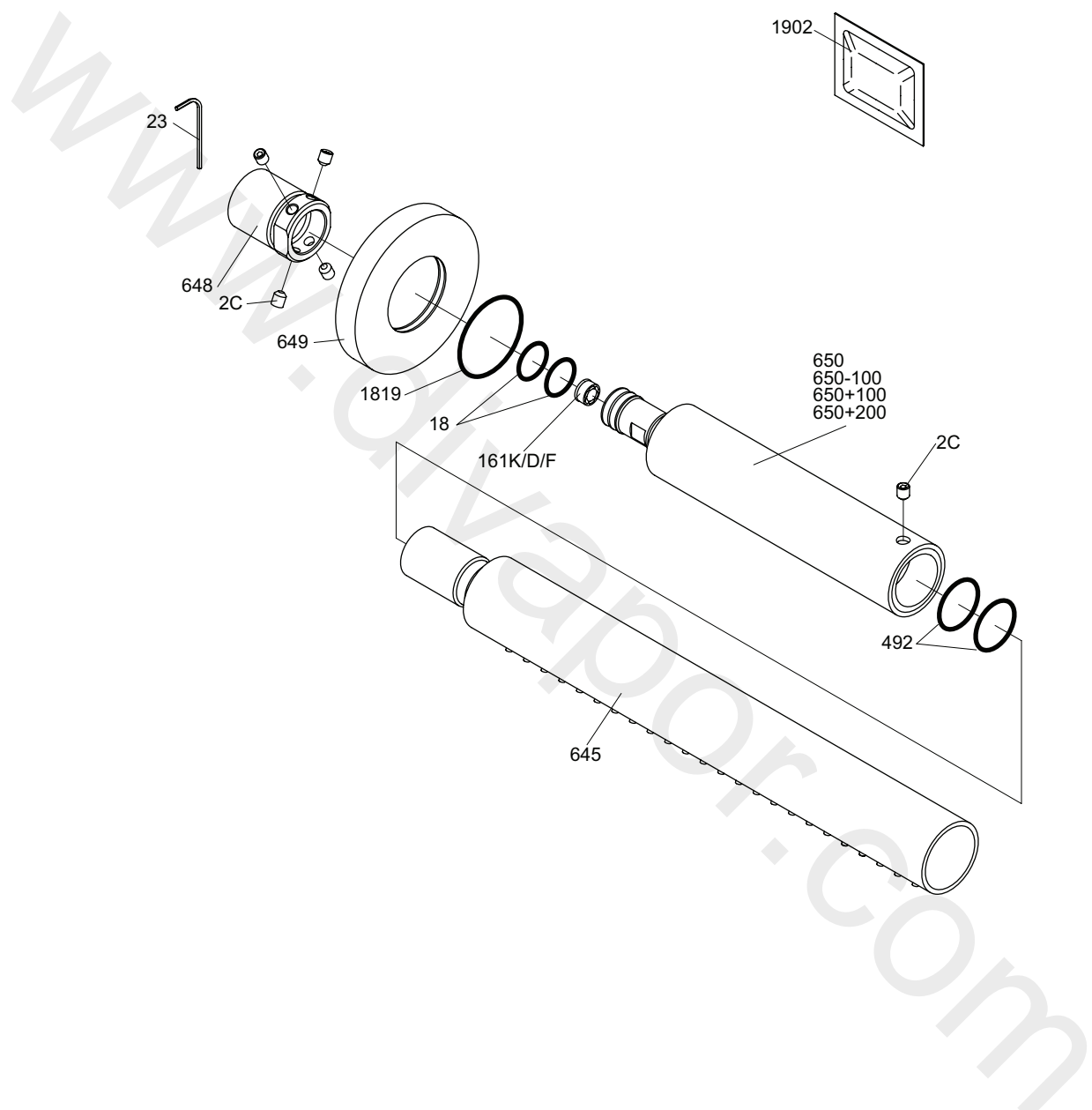
Extension Verlängerung Forlængerdele Förlängning Verlangstücken Modification



| T: VR648 | Y | |
|------------|-------------|------|
| 3 - 19 mm | 110 - 98 mm | Std. |
| 17 - 28 mm | 98 - 88 mm | +10 |
| 27 - 38 mm | 88 - 78 mm | +20 |
| 37 - 48 mm | 78 - 68 mm | +30 |
| 47 - 58 mm | 68 - 58 mm | +40 |
| 57 - 68 mm | 58 - 48 mm | +50 |

VR648+





vola

Lunavej 2
DK-8700 Horsens
Tlf : + 45 7023 5500
sales@vola.com
www.vola.com

VOLA 080ST

Date
Oct. 16

Rev.
1

Sheet
SB 17.7