

Product Overview: A thermostatically controlled bar shower mixer.

Features and Benefits:

- Easy to grip temperature and flow handles for those with limited hand function
- Temperature override button offering flexibility
- Independently operated flow and temperature controls for safer use
- Easy grip height adjustable handset holder to allow flexible shower head positioning
- Multi-function shower head giving choice of spray patterns
- Chrome soap dish means all your showering accessories are within easy reach
- Maximum pre-set temperature of 38 degrees
- Rounded edges and corners helping prevent injury
- Thorough testing and certification ensuring compliance with all relevant regulations and standards



Vettora TMV2 Bar Shower Mixer

Product Specification:

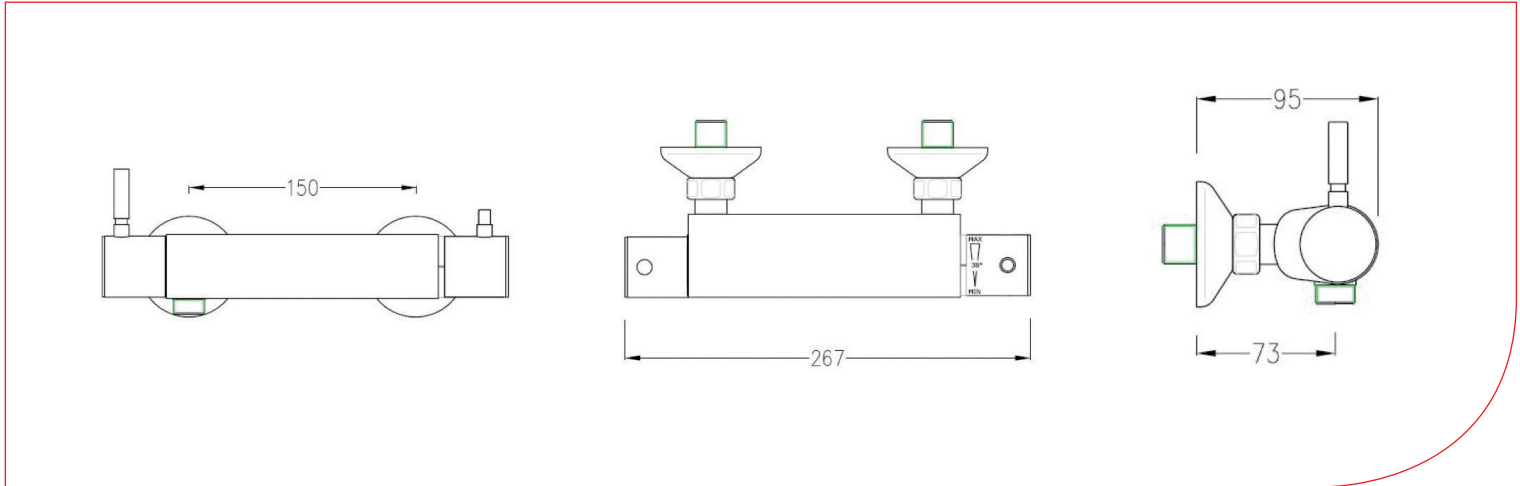
Operating Water Pressure	0.2 to 5 BAR
Dimension for Fitting	150mm Inlet Centers
Water Entry	Back
Inlet Connectors	3/4" BSP
Max Static Pressure	10 BAR
Valve Type	Thermostatic Bar Mixer Valve With Independent Flow And Temperature Control
Approvals	TMV2, WRAS
Max Pre-Set Temperature	38°
Max Pressure Difference Between Hot And Cold Water Supply	1 BAR
Maximum Flow	34 L/Min @ 3 BAR

Additional Information:

TMV2 Thermostatic mixer valves are designed to prevent injury by hot water scalding in the event of a reduction in cold water pressure or flow. The maximum mixed water temperature allowed for a TMV2 valve is 41°C for shower applications.

TMV2 Applies to mixer valves intended for domestic use and are ideal for environments with vulnerable users particularly children and the elderly.

Dimensions:



Product Codes:

Code	Description
25658	Vettora Thermostatic Bar Mixer Valve with Kit
25657	Vettora Thermostatic Bar Mixer Valve

Guarantee & Certification:

- TMV2 Approval
- Lifetime Guarantee
- 10 years on the cartridge and all mechanical moving parts

