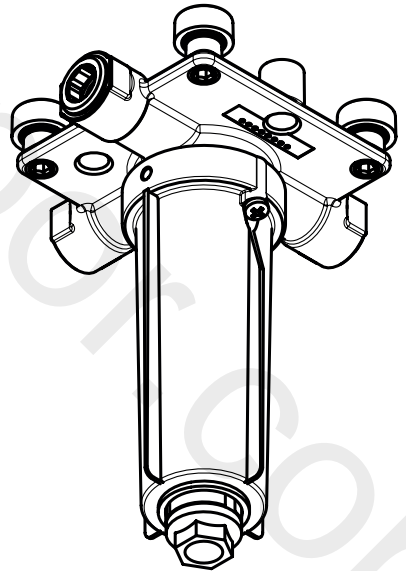


AXOR



ZH / 用户手册 / 组装说明

EN / Instructions for use / assembly instructions

02

02

AXOR

26434187

INSTALLATION

△ 安全技巧

- △ 装配时为避免挤压和切割受伤，必须戴上手套。
- △ 本产品只允许作为洗浴、卫生和洁身之用。

安装提示

- / 安装前必须检查产品是否受到运输损害。安装后将不认可运输损害或表面损伤。
- / 管道和阀门必须根据通用标准进行安装、冲洗和检查。
- / 请遵守当地国家现行的安装规定。
- / 头顶花洒应当安装到天花板上，天花板必须有足够的承重能力。
- / 仅可使用合适的紧固材料！附带的螺丝和木钉仅适用于混凝土。

符号说明

请勿使用含有乙酸的硅胶！



大小 (参见第页 19)



安装实例 (参见第页 04)

备用零件 (参见第页 03)

△ SAFETY NOTES

- △ Gloves should be worn during installation to prevent crushing and cutting injuries.
- △ The product may only be used for bathing, hygienic and body cleaning purposes.

INSTALLATION INSTRUCTIONS

- / Prior to installation, inspect the product for transport damages. After it has been installed, no transport or surface damage will be honoured.
- / The pipes and the fixture must be installed, flushed and tested as per the applicable standards.
- / The plumbing codes applicable in the respective countries must be observed.
- / The ceiling to which the overhead shower is to mounted must have sufficient bearing capacity.
- / Only suitable fastening material may be used! The enclosed screws and plugs are only suitable for concrete.

SYMBOL DESCRIPTION

Do not use silicone containing acetic acid!



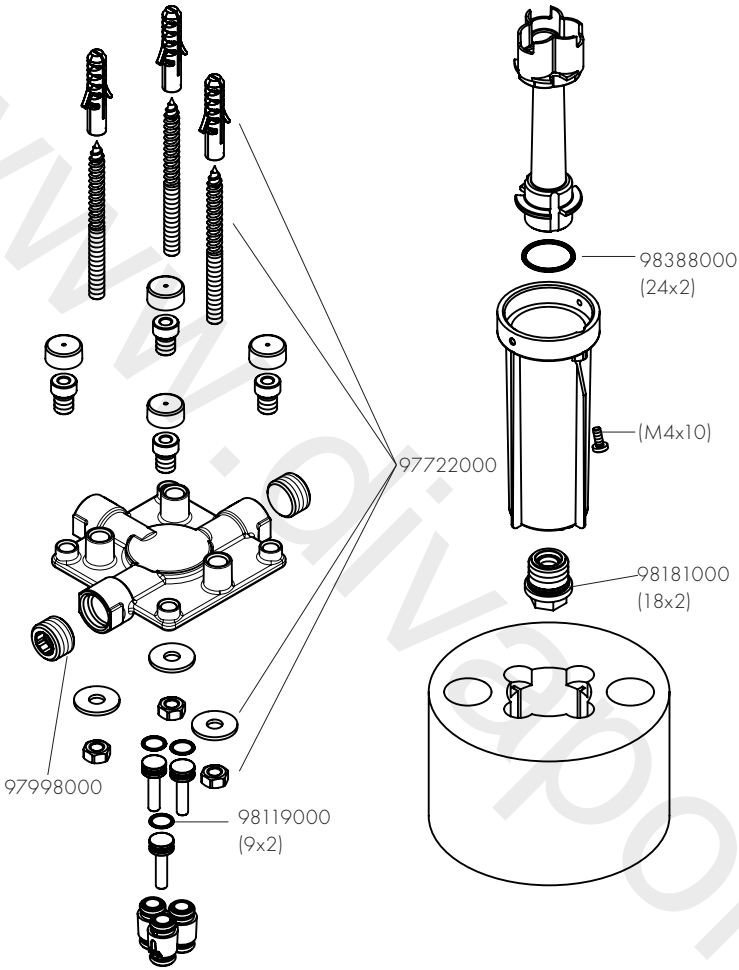
DIMENSIONS (see page 19)



INSTALLATION EXAMPLE
(see page 04)

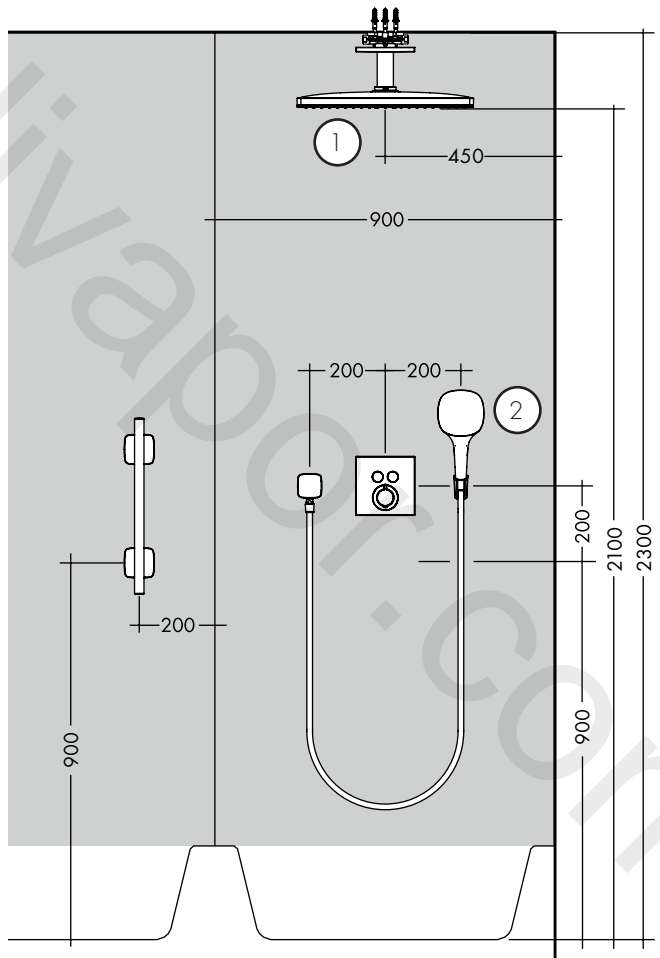
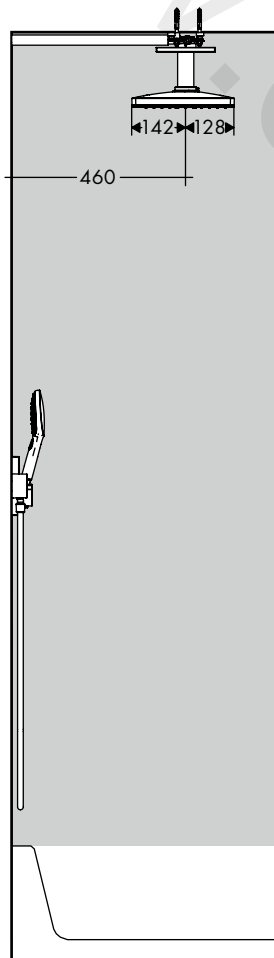
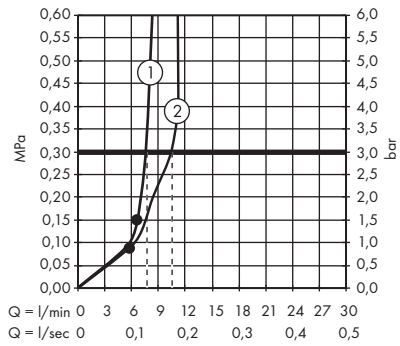


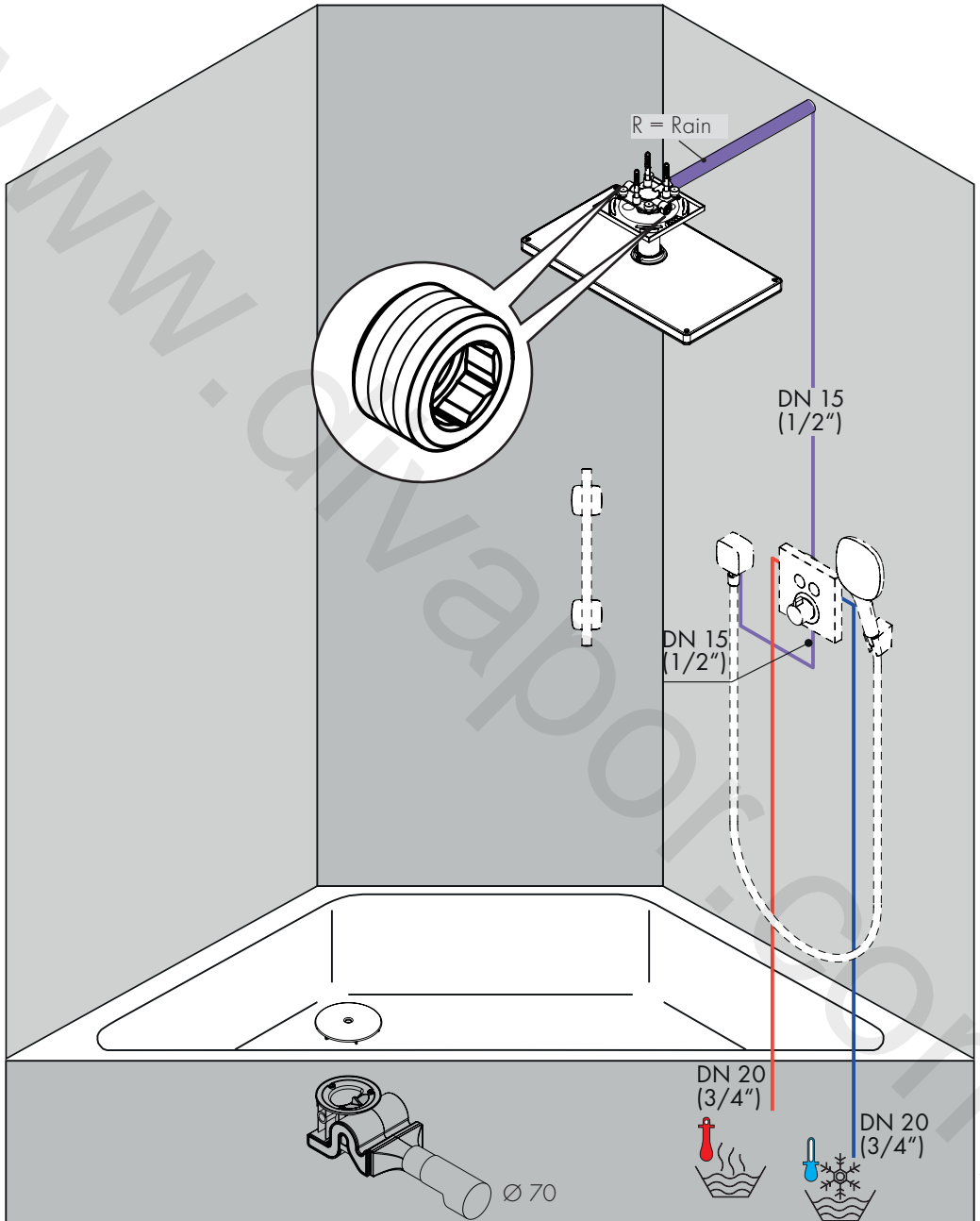
SPARE PARTS (see page 03)





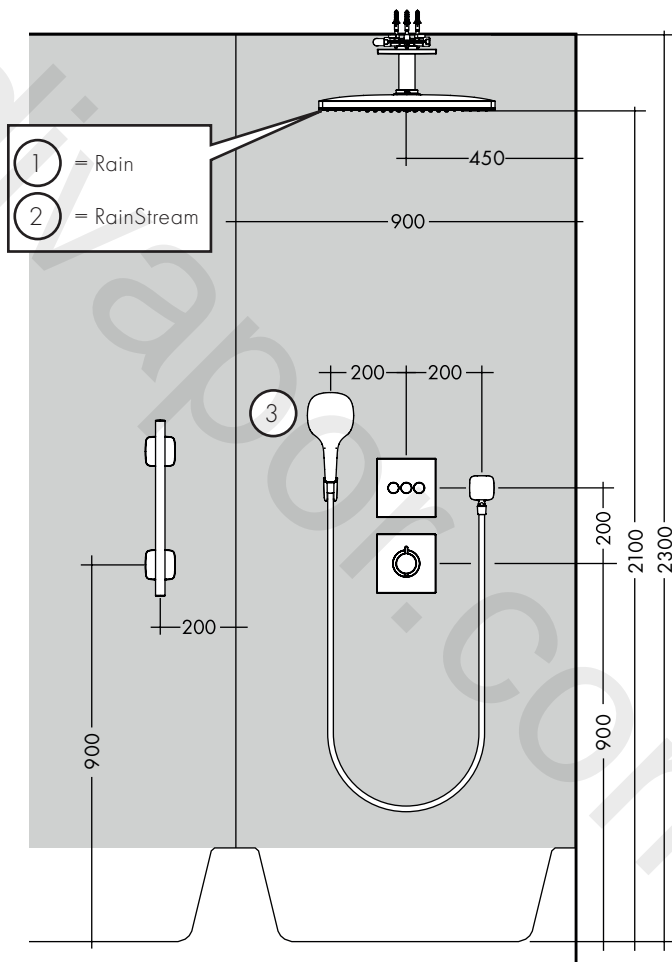
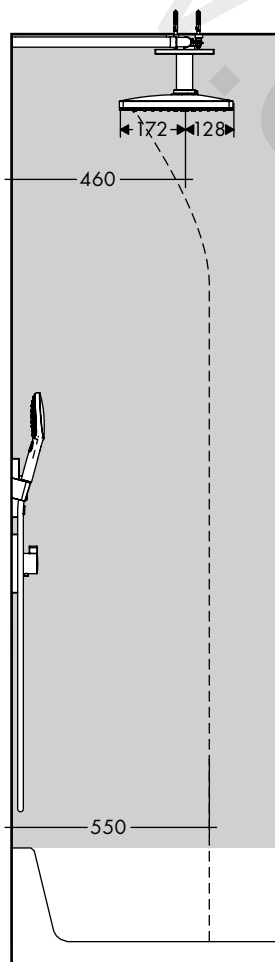
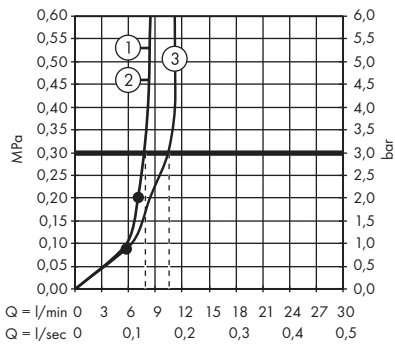
AXOR 460/300 ljet
35277XX7

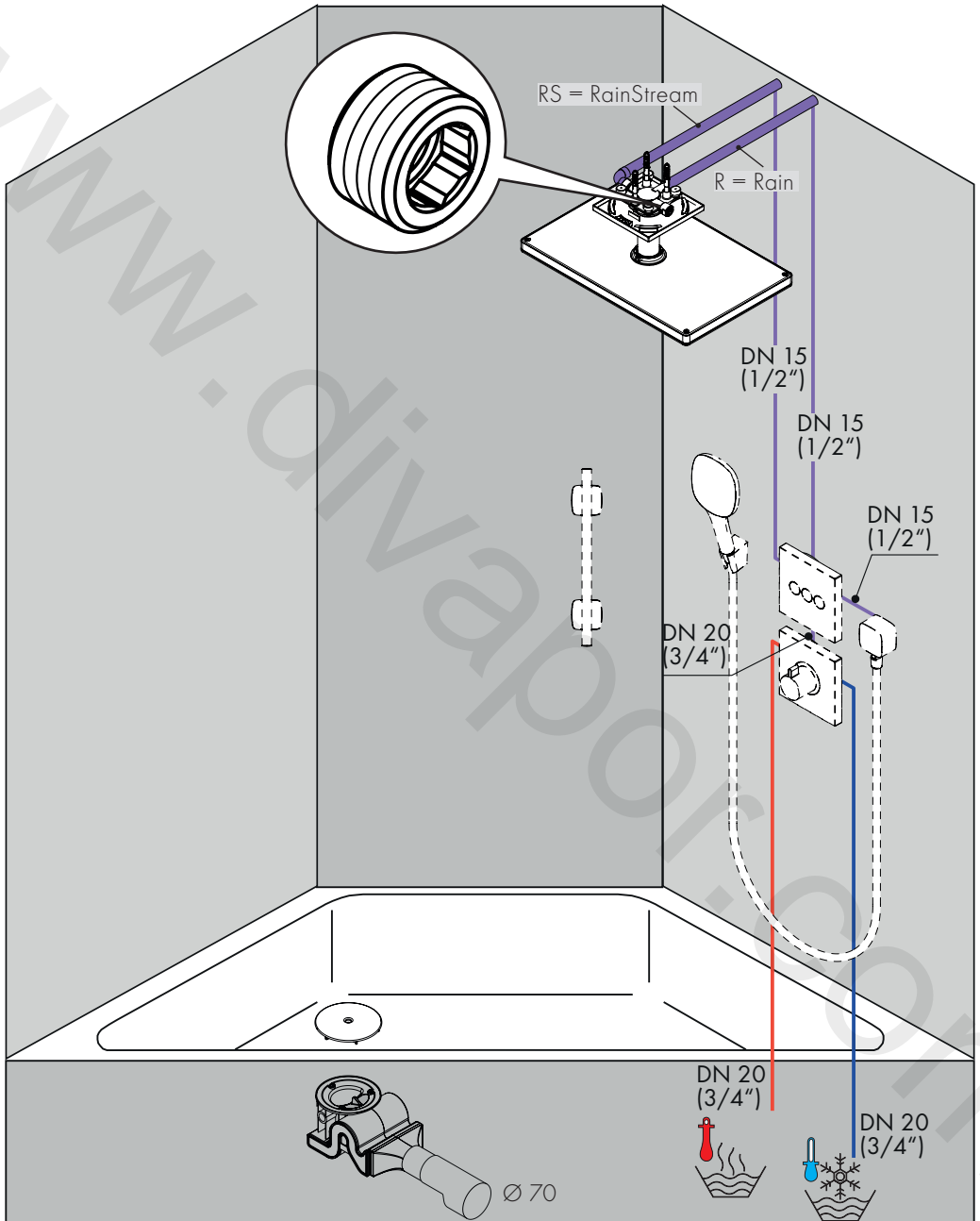






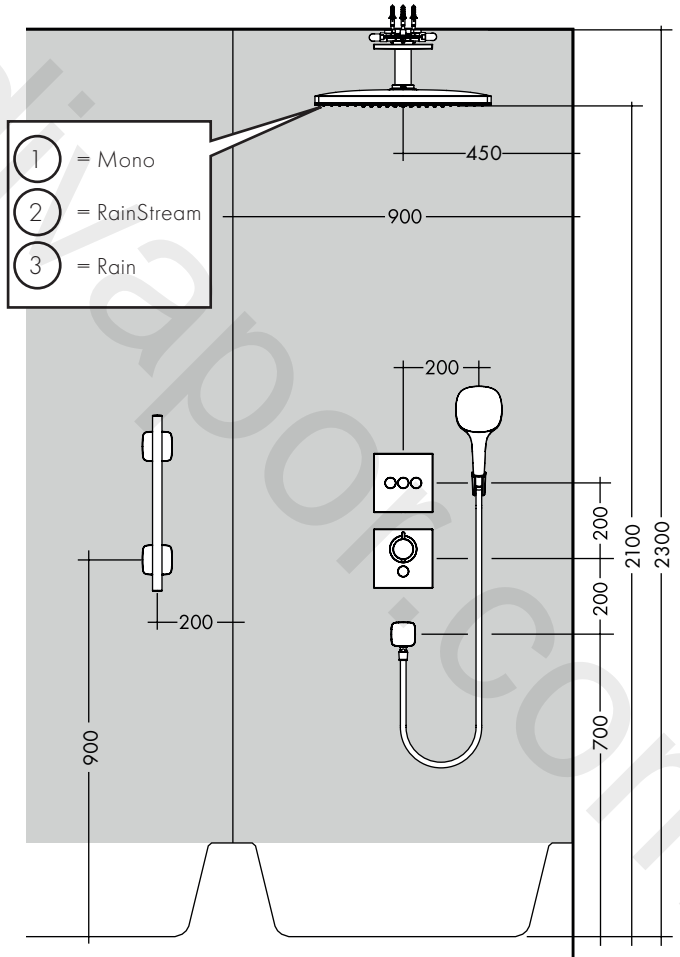
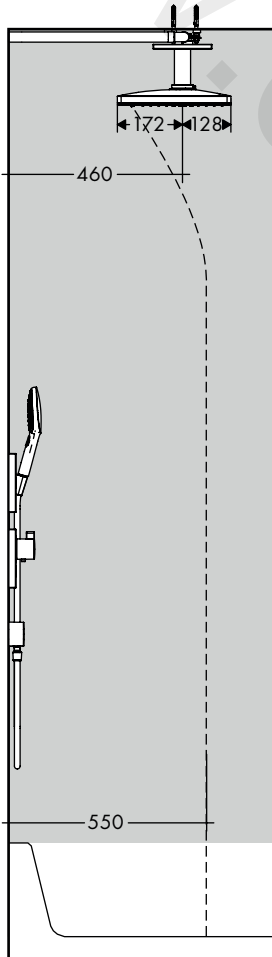
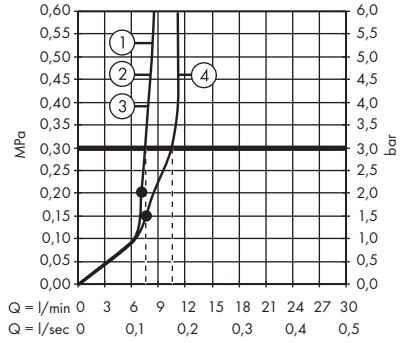
AXOR 460/300 2jet
35279XX7

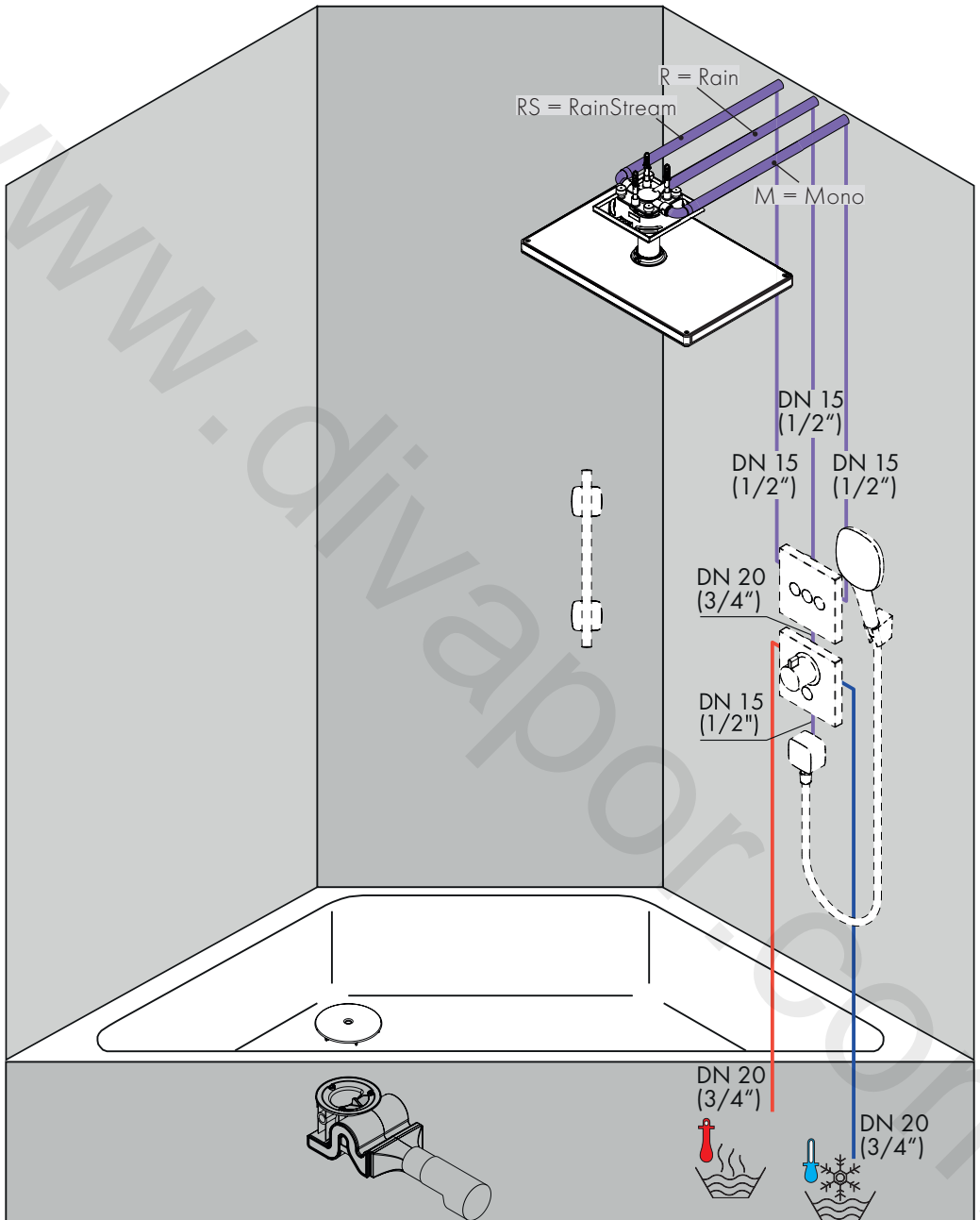






AXOR 460/300 3jet
35281XX7





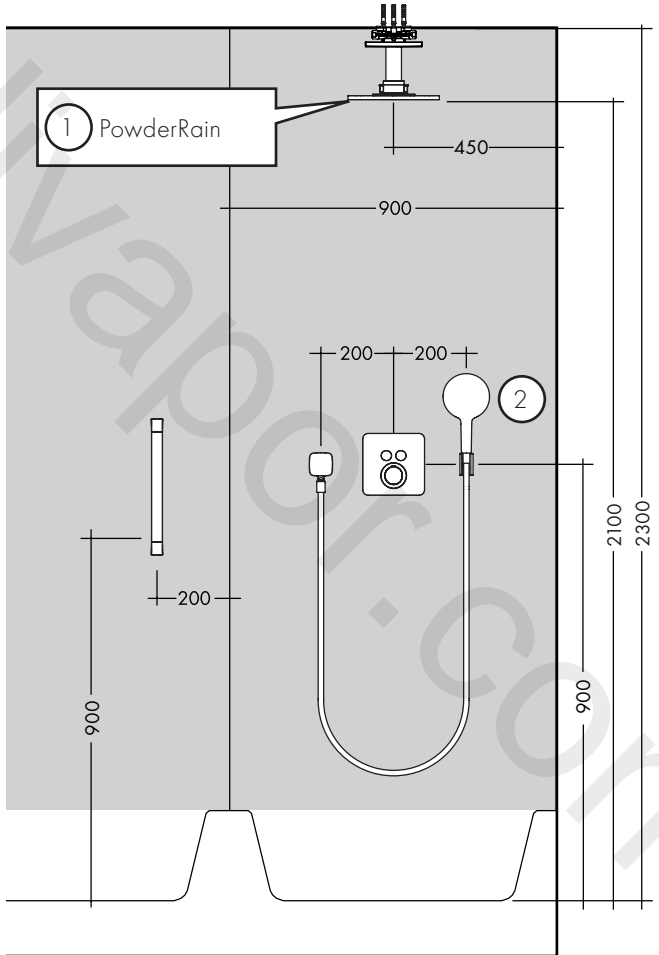
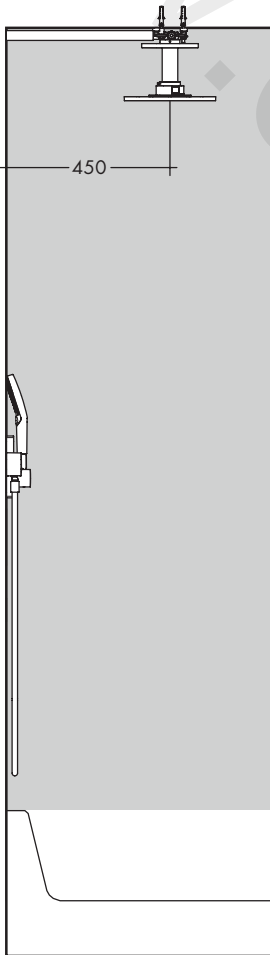
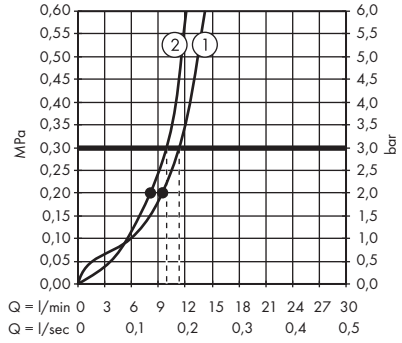


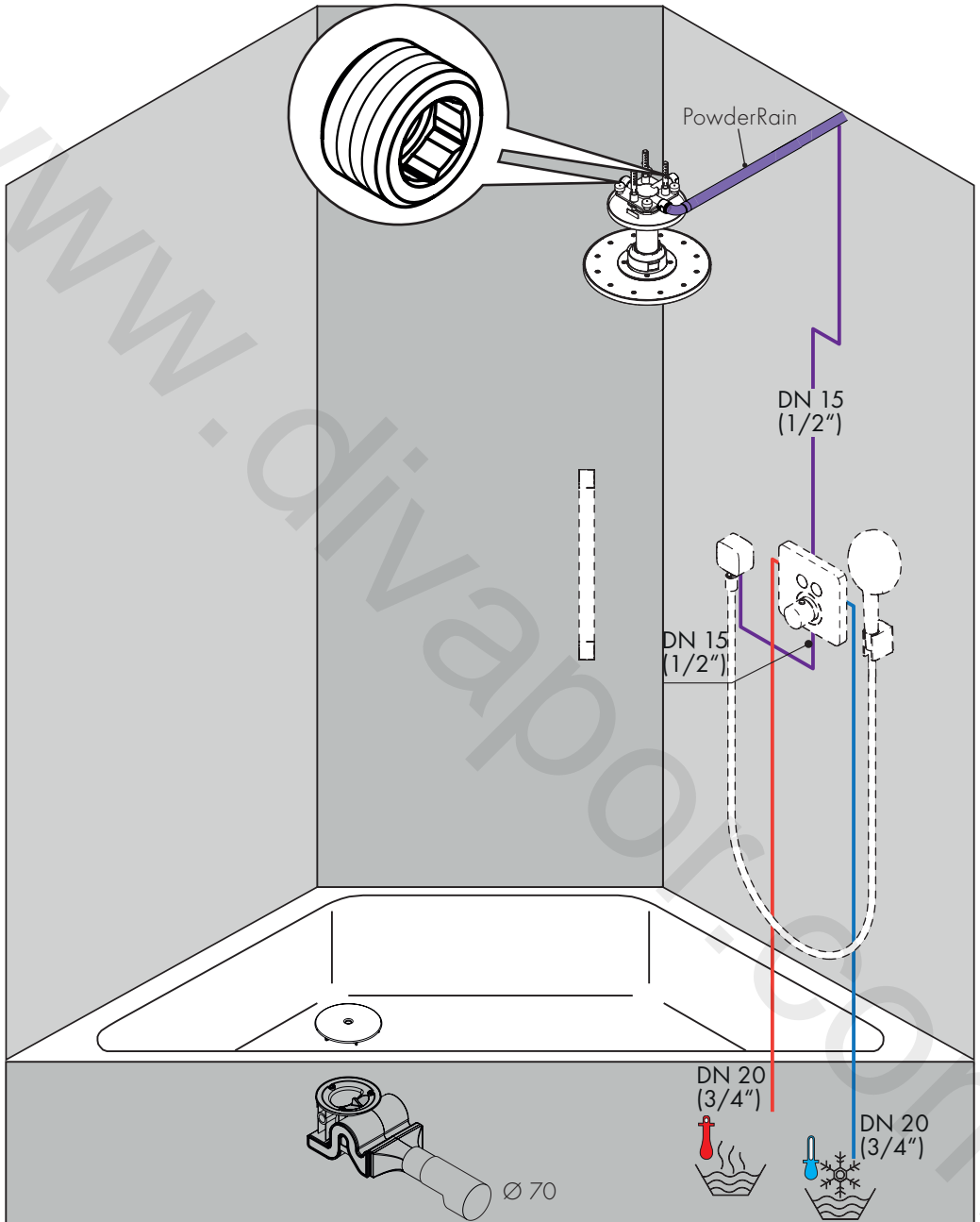
AXOR 250 1jet
35286XX7

AXOR 250 1jet
35308XX7

AXOR 300 1jet
35301XX7

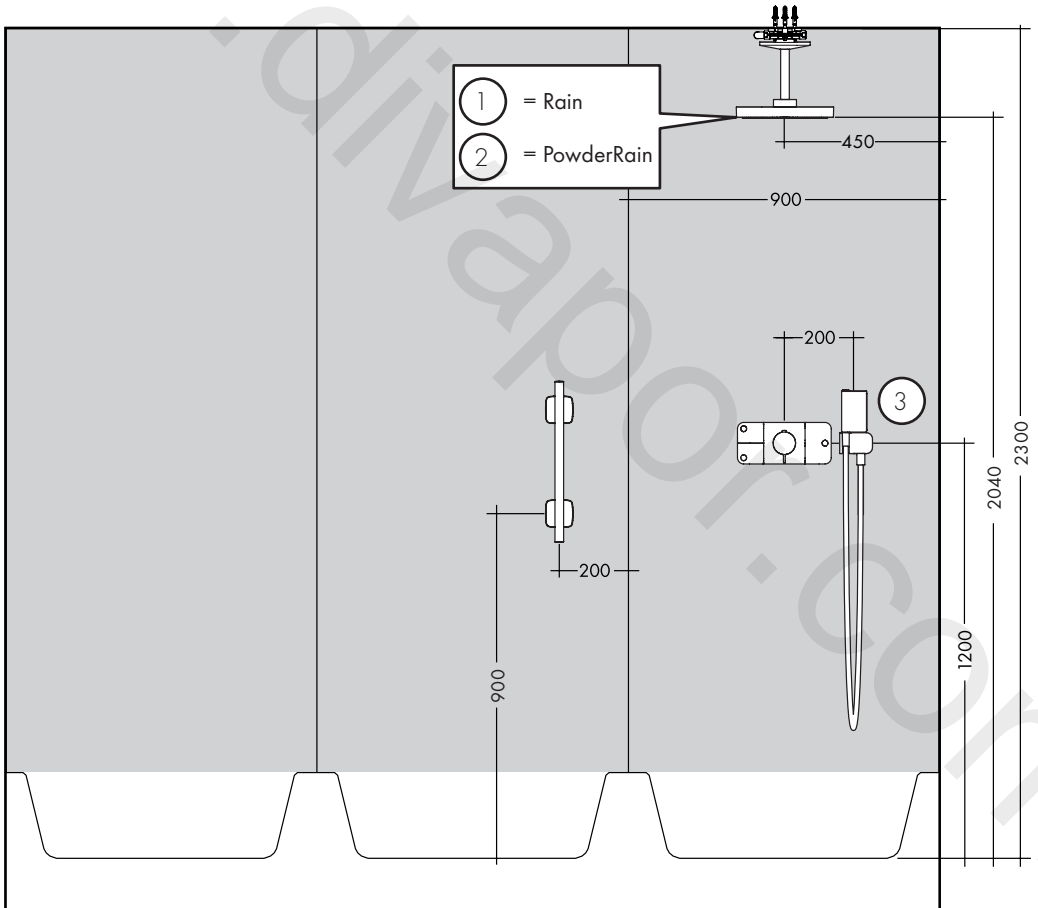
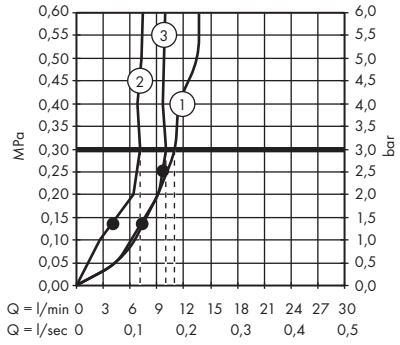
AXOR 300 1jet
35316XX7

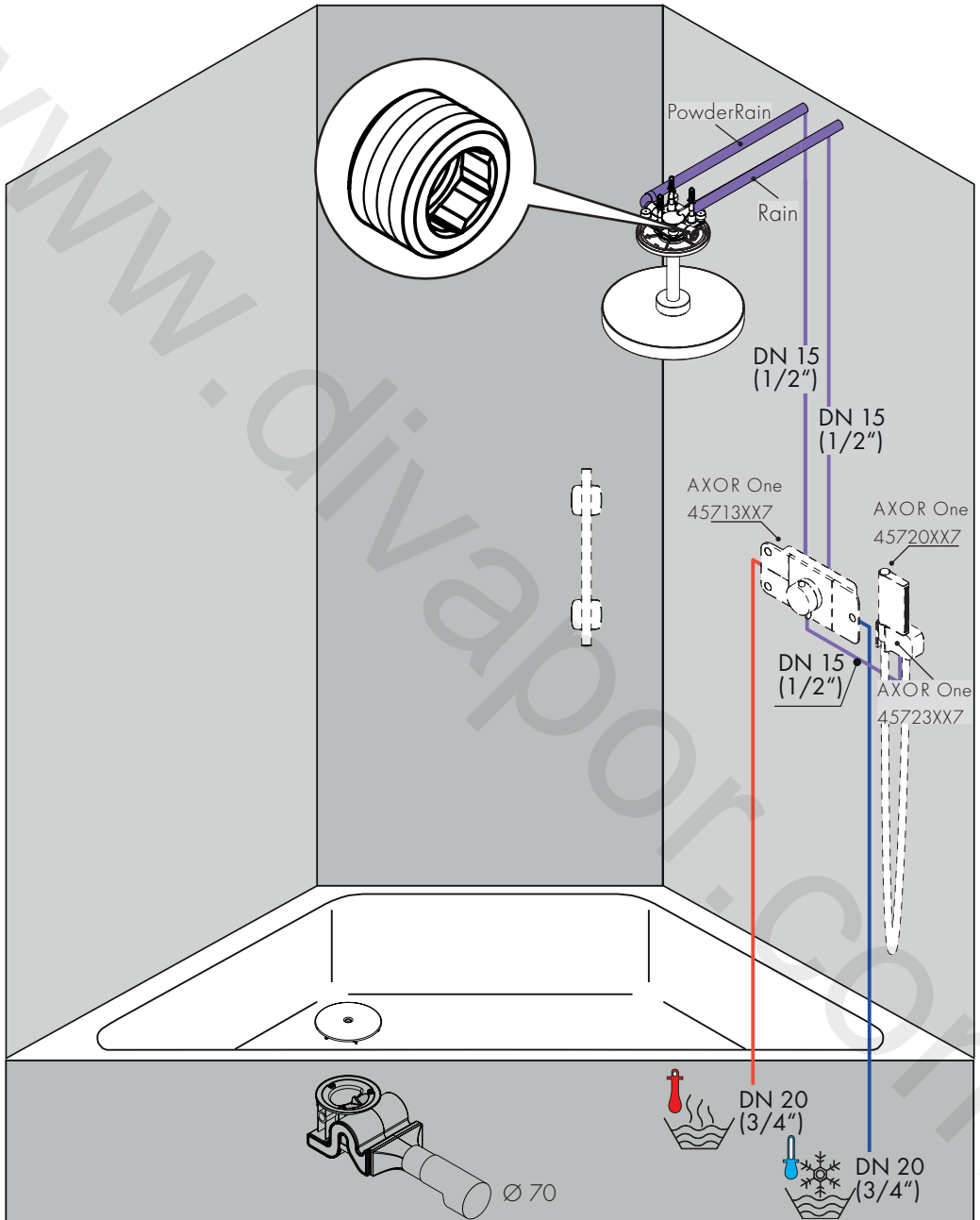


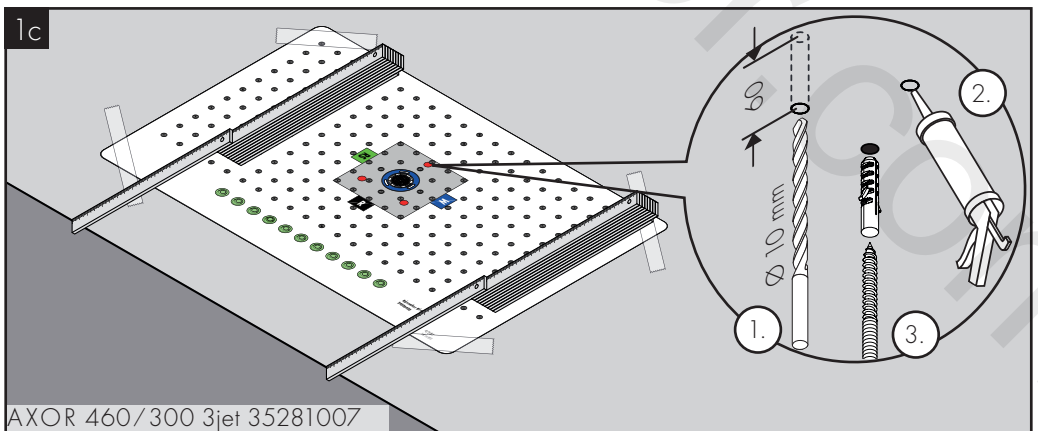
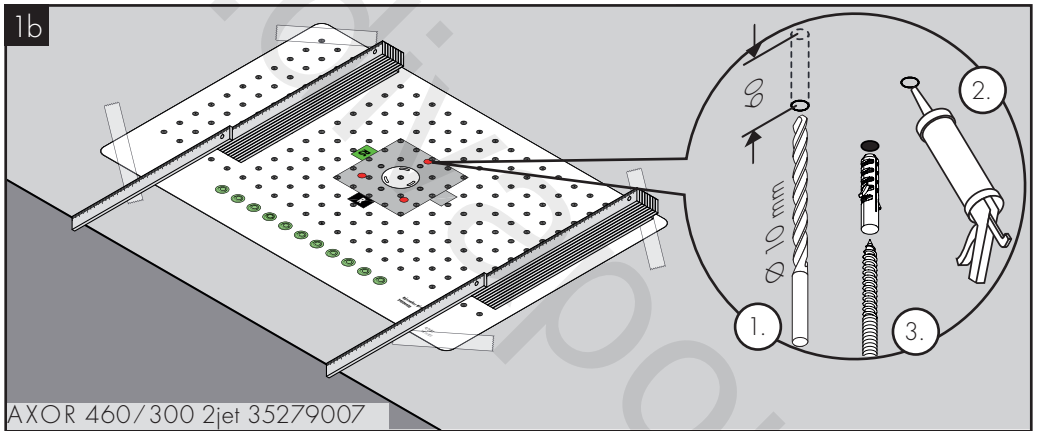
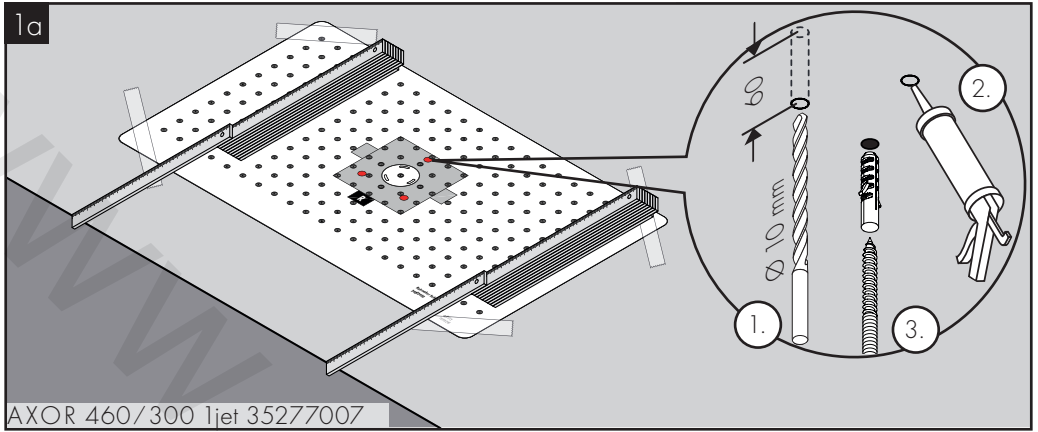


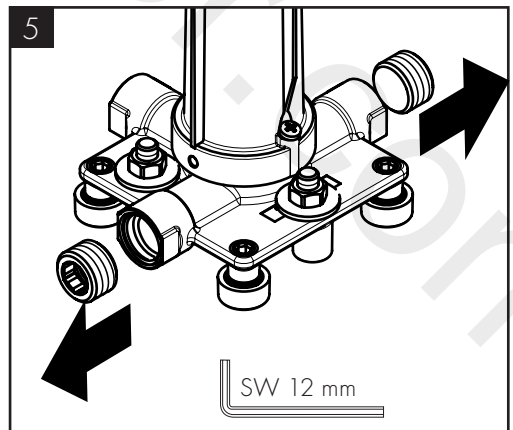
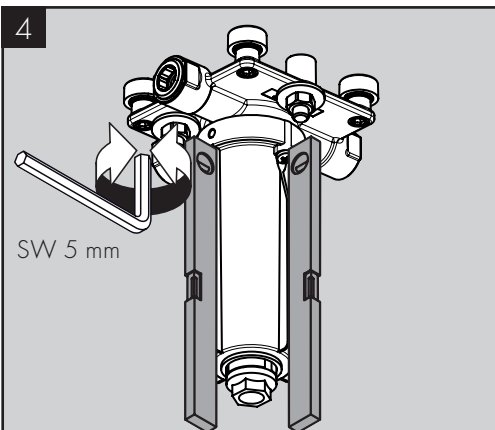
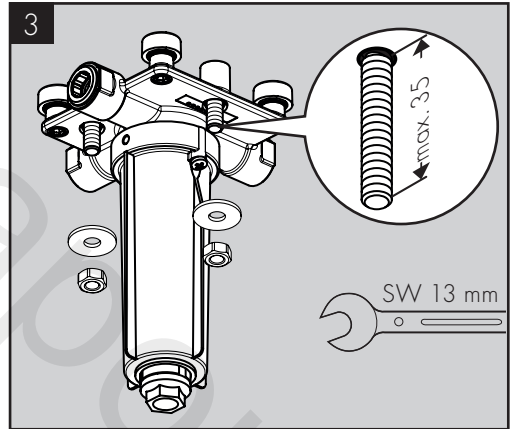
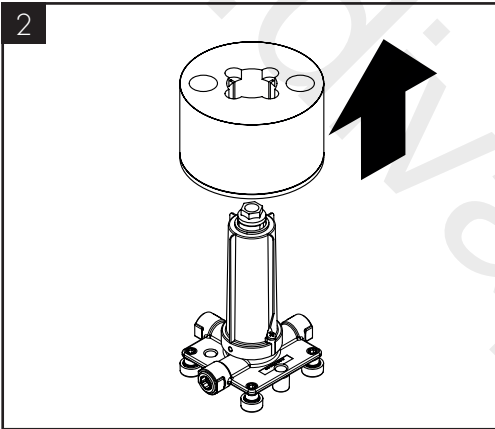
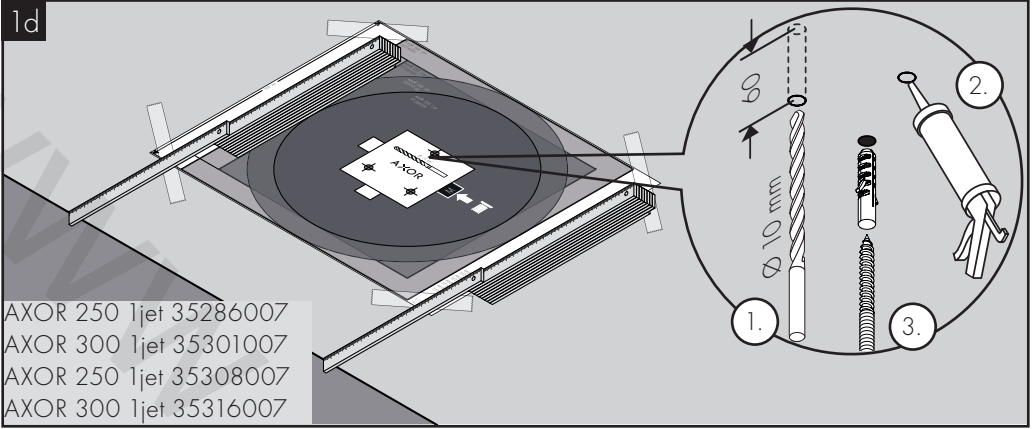


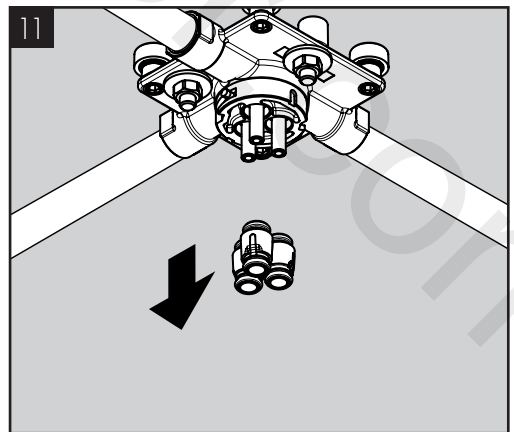
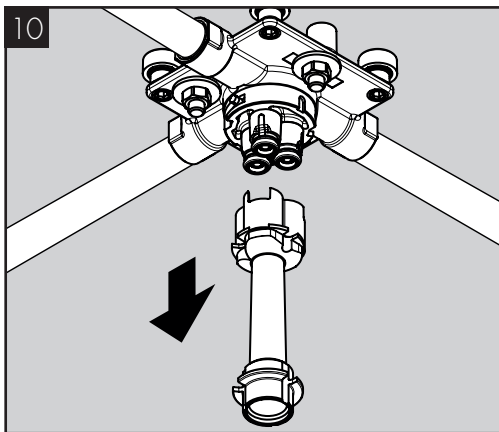
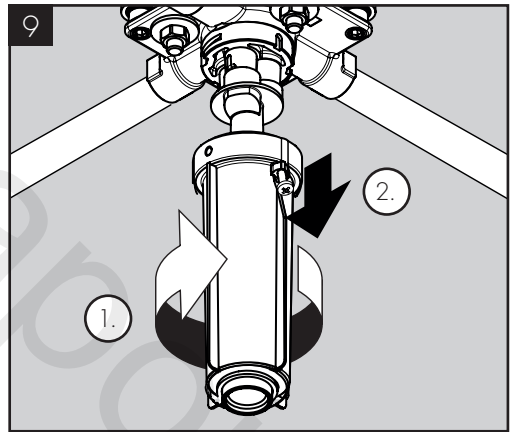
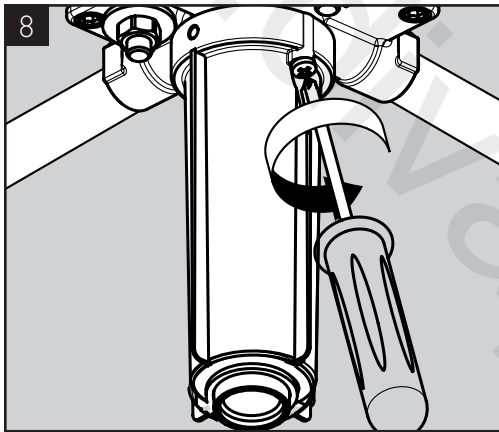
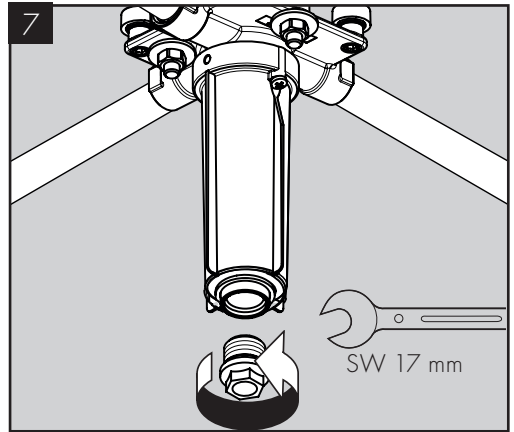
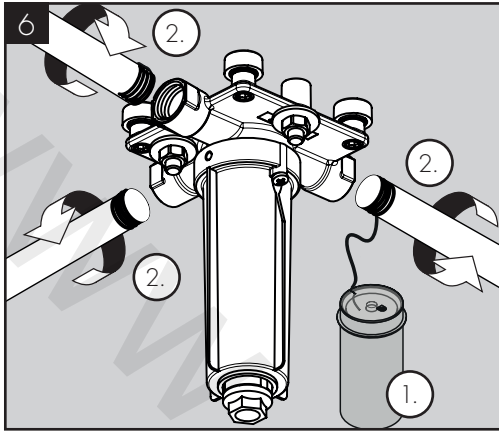
AXOR One 280 2jet
48494XX7

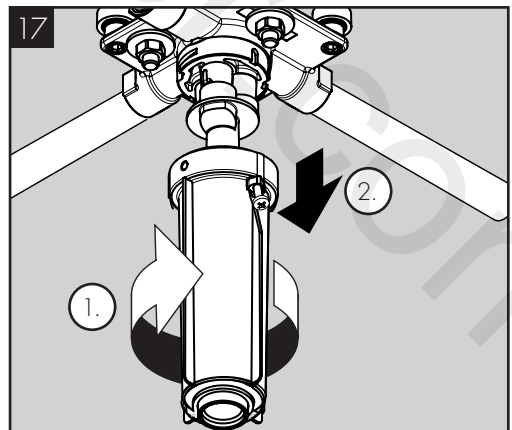
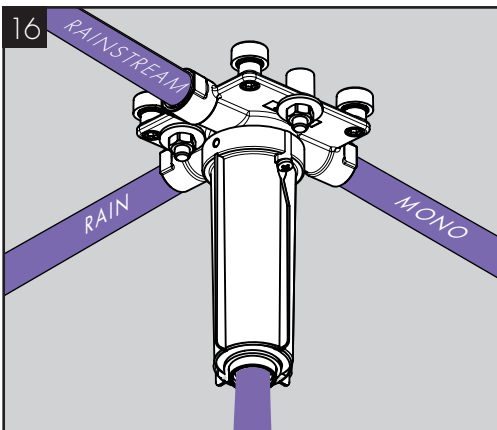
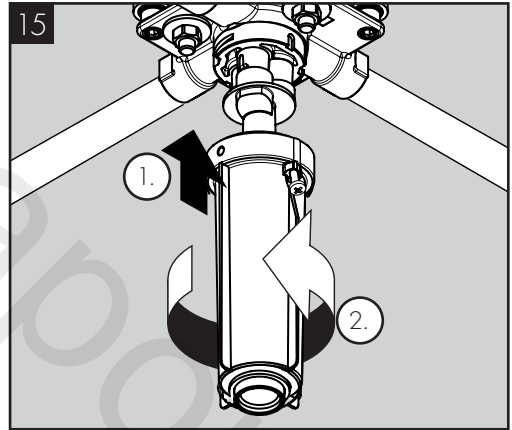
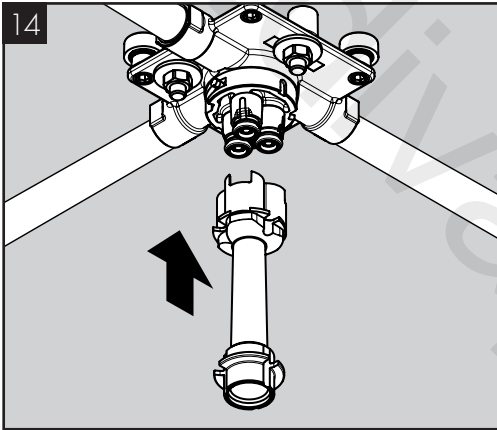
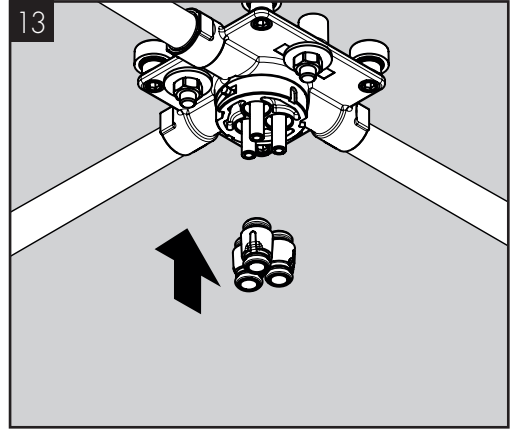
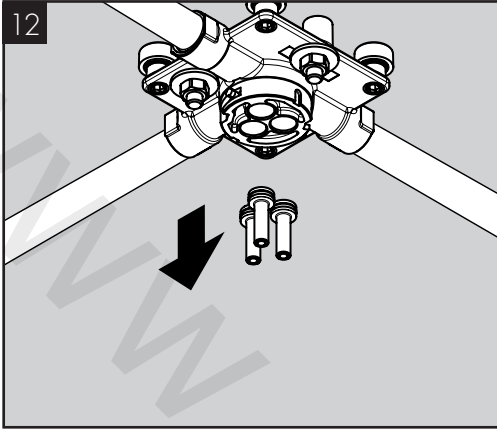


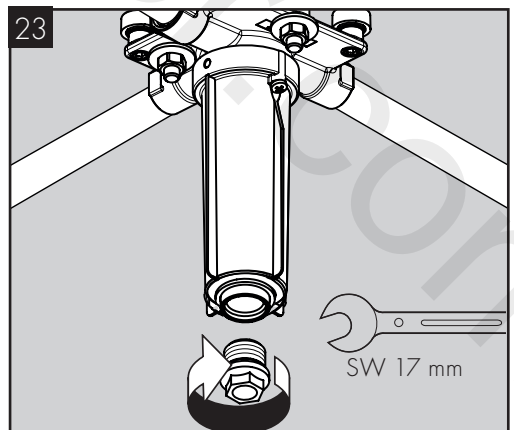
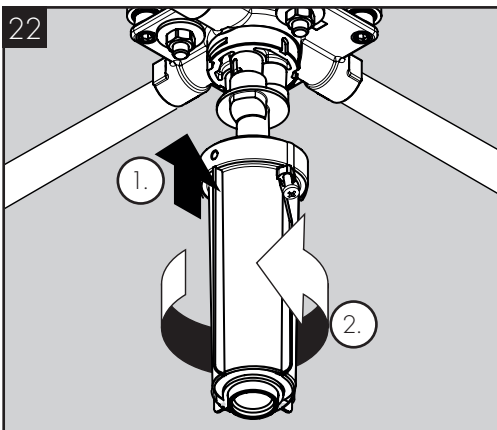
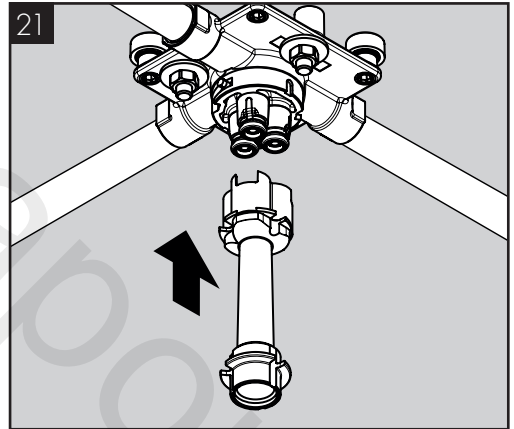
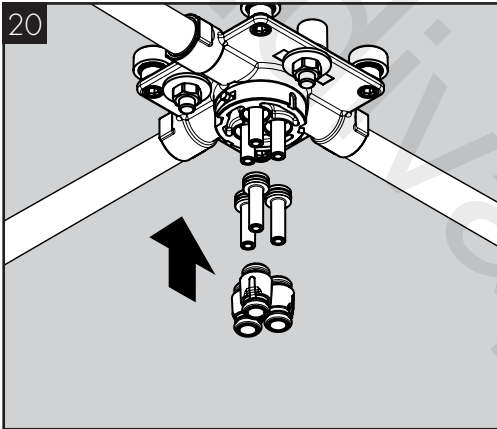
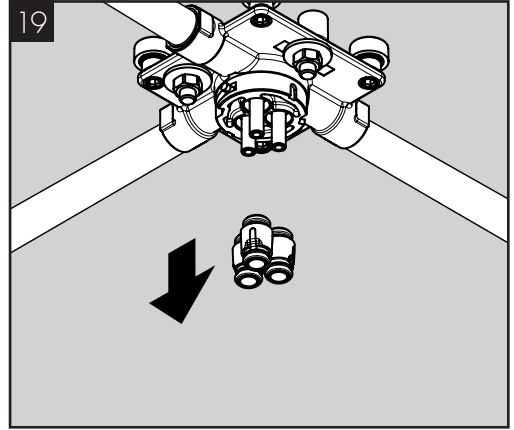
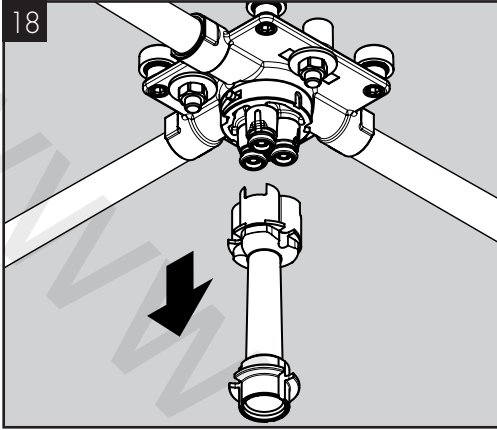


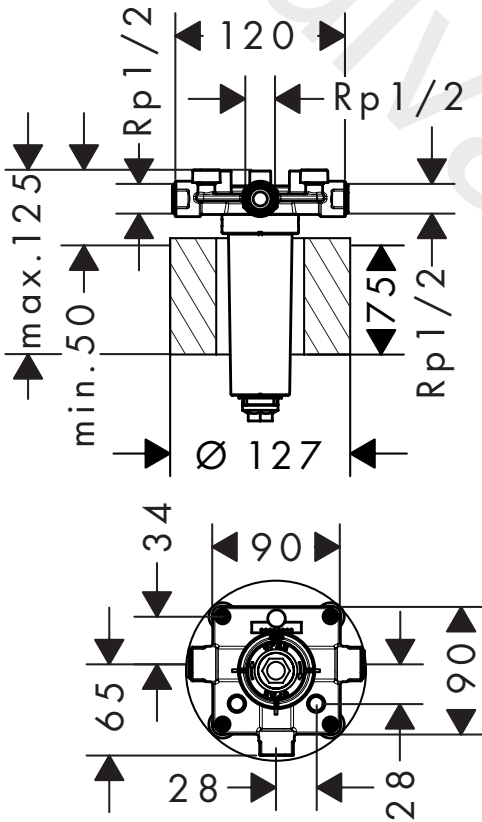
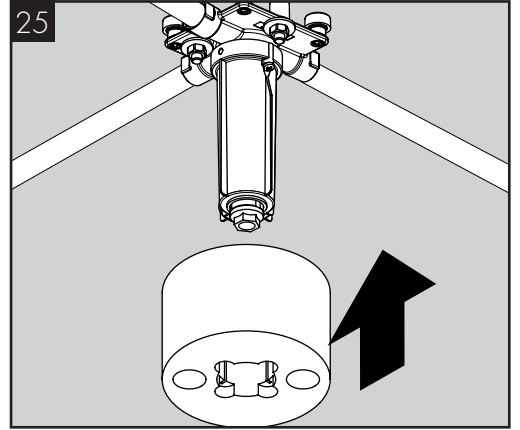
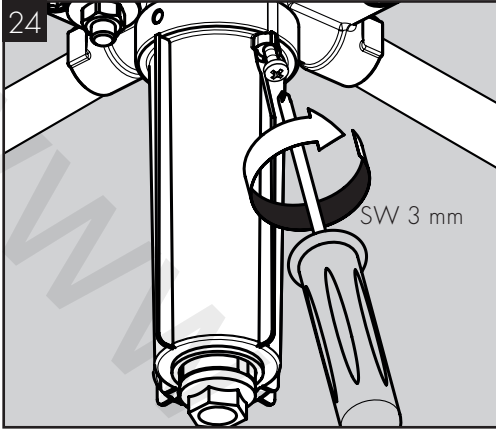












AXOR

www.divapor.com

AXOR / Hansgrohe SE
Austraße 5-9
77761 Schiltach
Deutschland

info@axor-design.com
axor-design.com

09/2021
9.11227.52