

AXOR ShowerSolutions
Basic set for shower module 120/120 for concealed installation
 Finish: Article Number: **28486180**



product features

- in a joined installation it serves as a waterconducting unit, allows dimensionally accurate positioning
- connection right or left
- sound-decoupled installation
- WRAS 2107045
- WRAS 2107045 - Approval letter

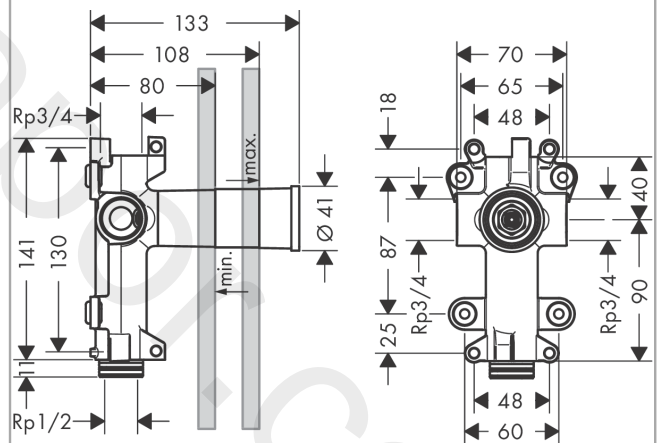
Article Details

Price excl. VAT 140,00 £

Product image



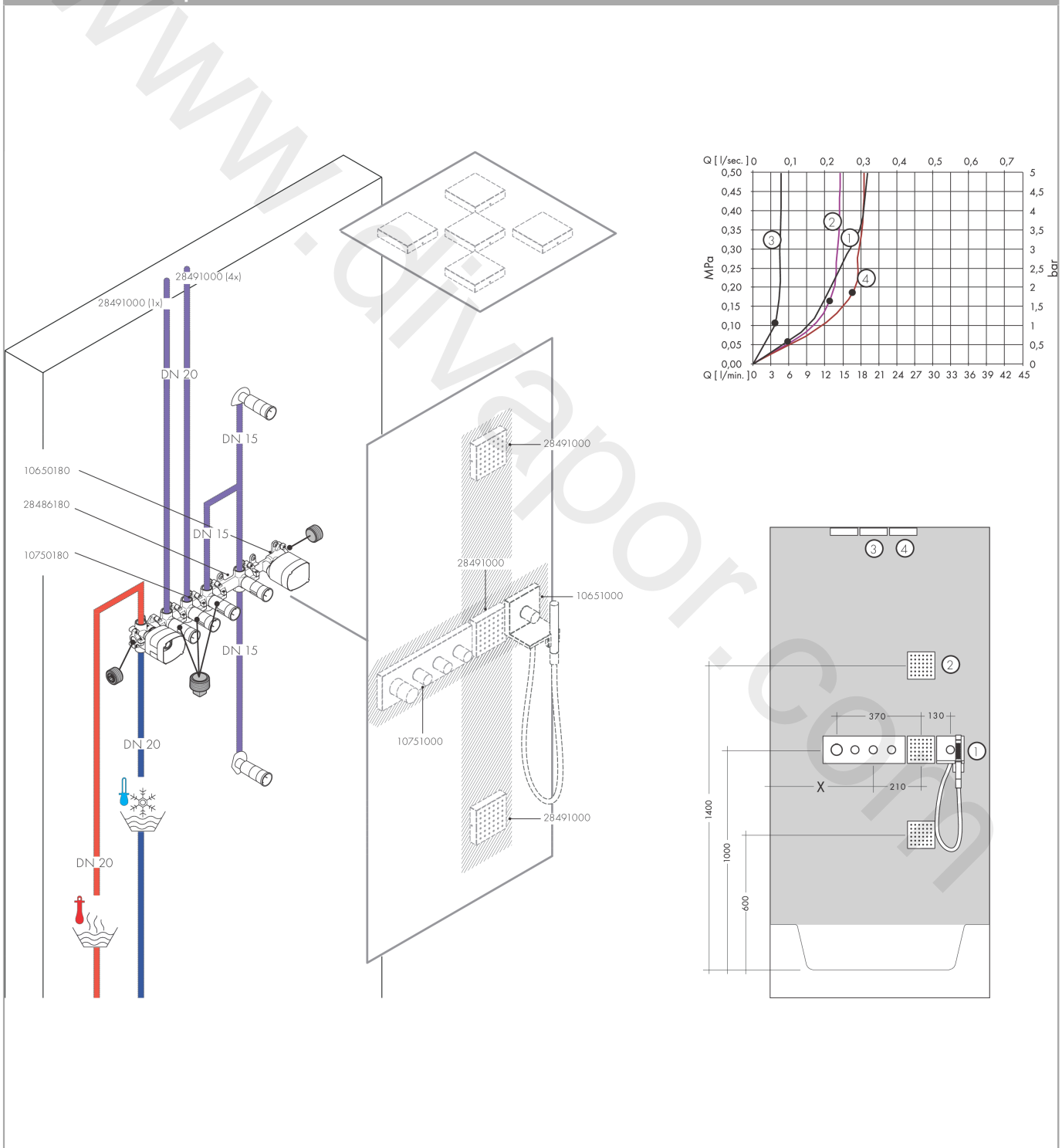
Scale drawing



AXOR ShowerSolutions
Basic set for shower module 120/120 for concealed installation
 Finish: Article Number: **28486180**



Installation examples

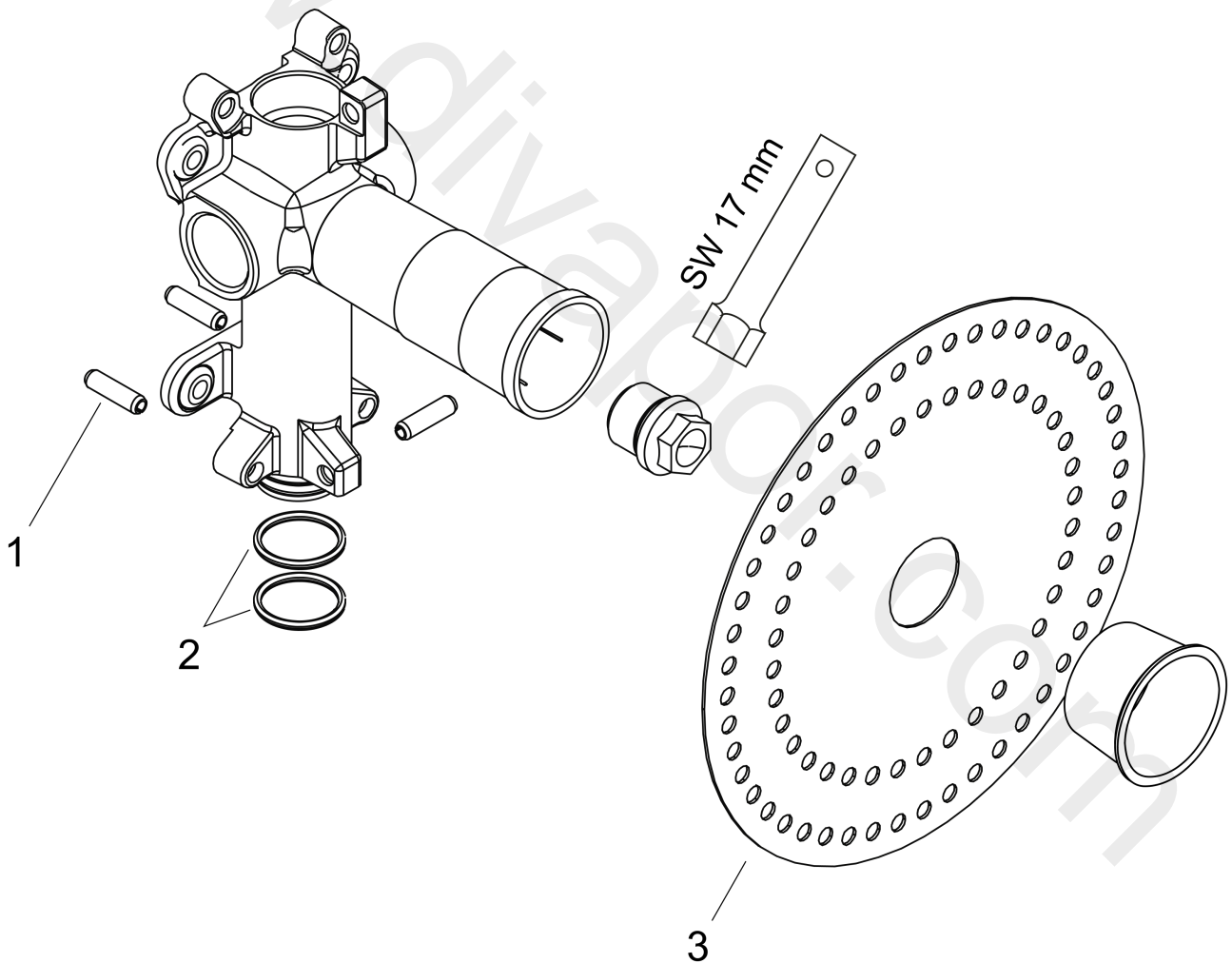


AXOR ShowerSolutions
Basic set for shower module 120/120 for concealed installation
Finish: Article Number: **28486180**



Exploded Drawing

Year of production: >01/09



AXOR ShowerSolutions
Basic set for shower module 120/120 for concealed installation
Finish: Article Number: **28486180**



Spare part list

Year of production: >01/09

| Pos. | | Article Number | Price | PU |
|------|---------------|----------------|---------|----|
| 1 | pin | 95334000 | £ 16,10 | 1 |
| 2 | O-Ring 23x2,5 | 98183000 | £ 3,30 | 1 |
| 3 | sealing foil | 96492000 | £ 9,00 | 1 |