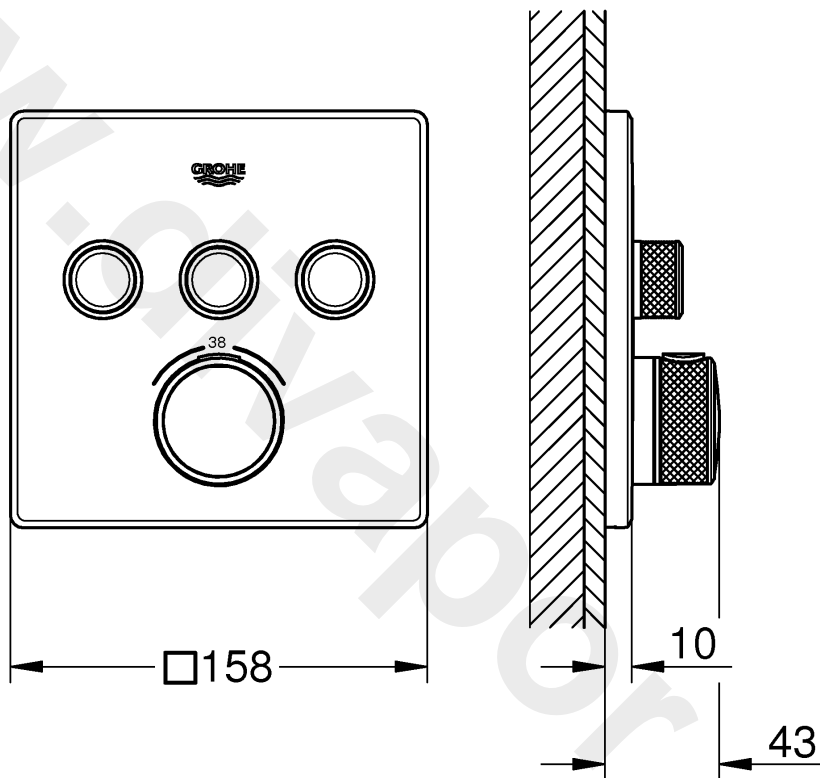




29 240



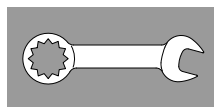
1



11



2 - 8



12

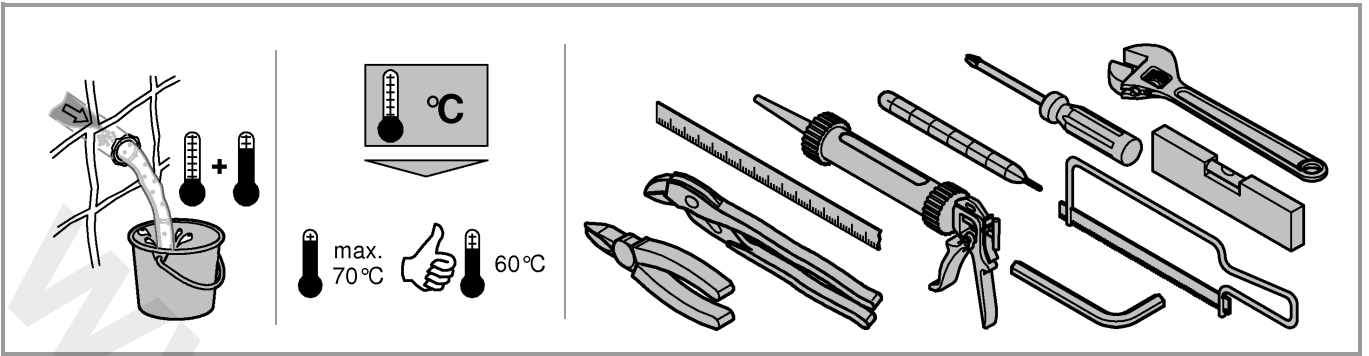


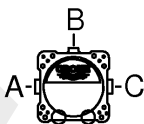
9 - 10

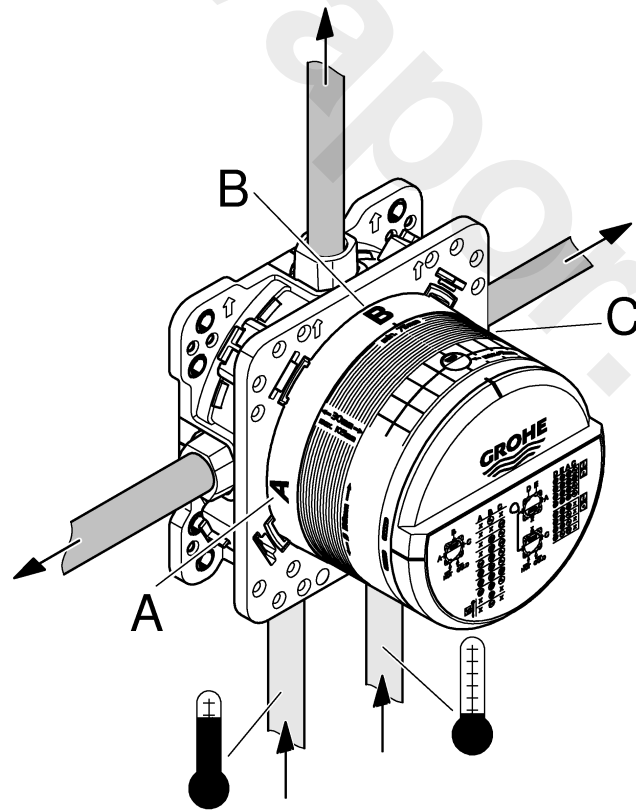


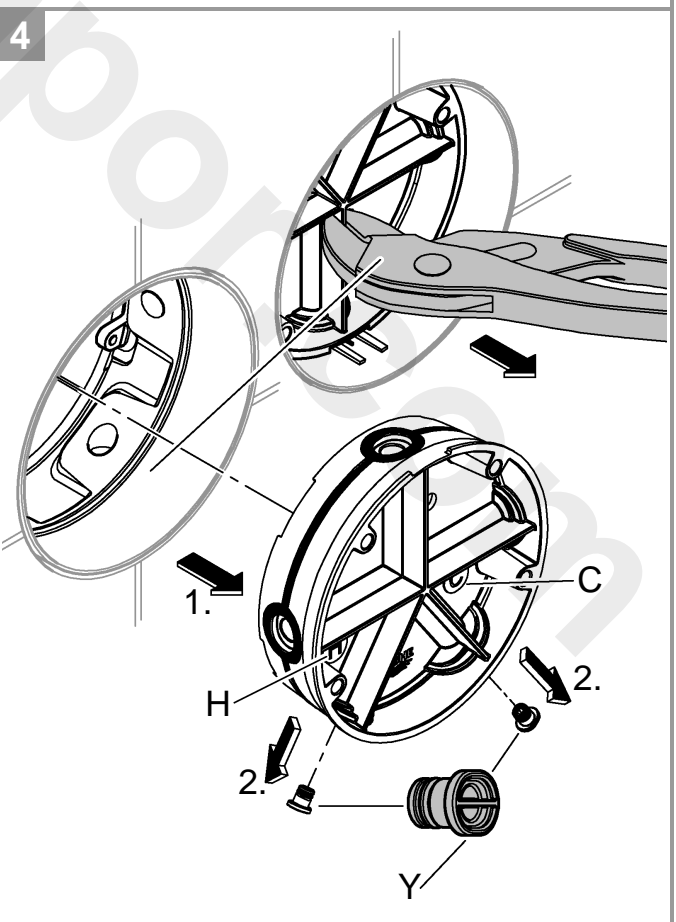
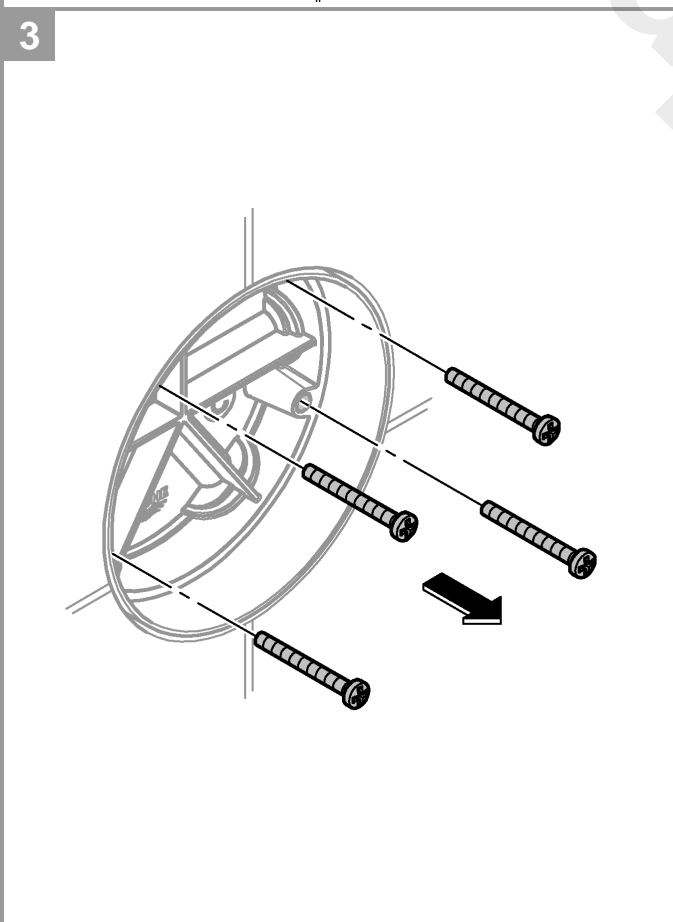
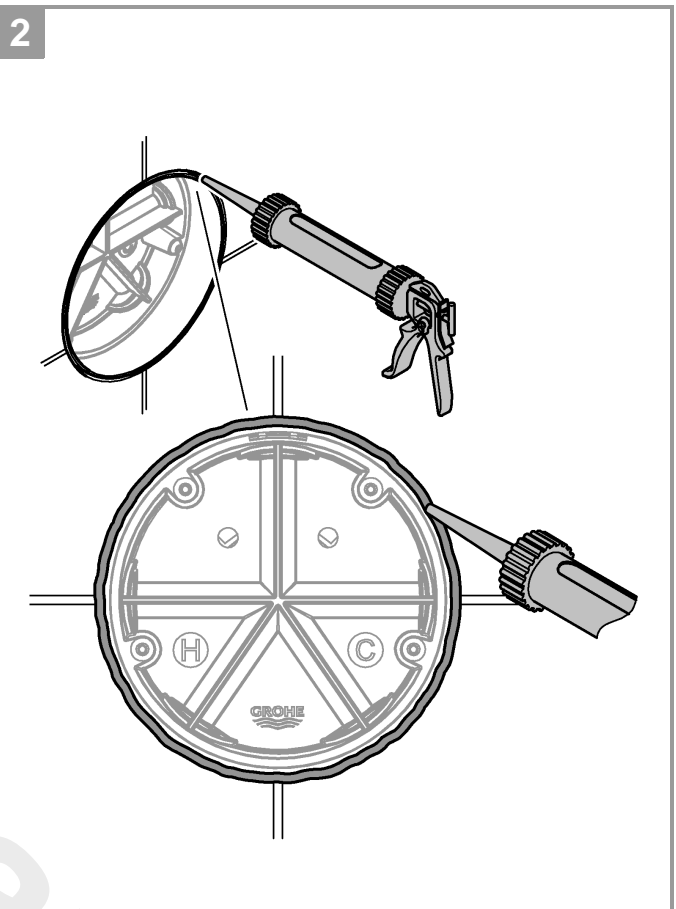
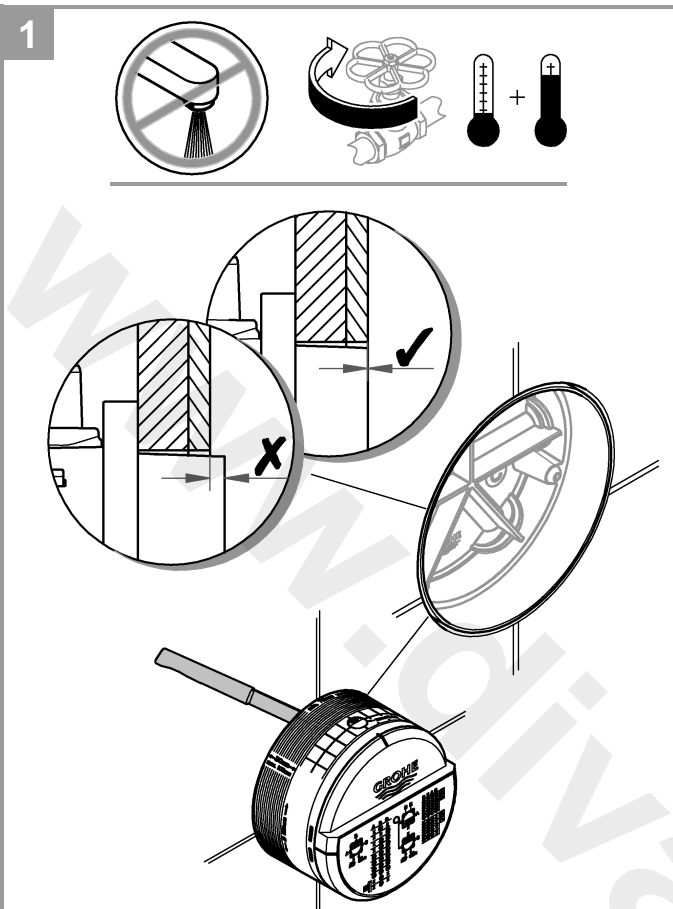
15





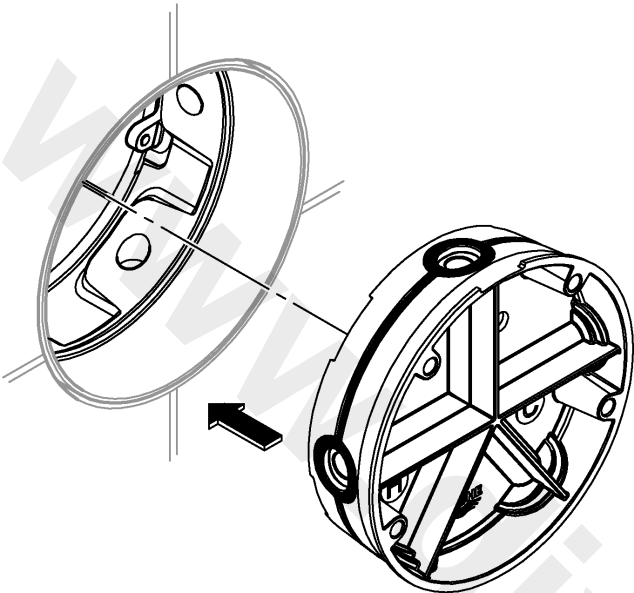
	kPa						l/min
	100	200	300	400	500	600	
A	13,3	18,8	23	26,6	29,7	32,5	
B	15,6	22	27	31,2	34,9	38,2	
C	13,3	18,8	23	26,6	29,7	32,5	
A+B	19,1	26,9	33	38,1	42,6	46,7	
A+B+C	20,8	29,4	36	41,6	46,5	50,9	



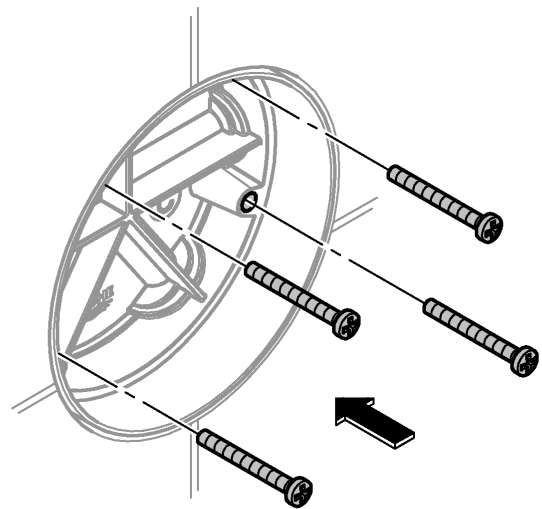




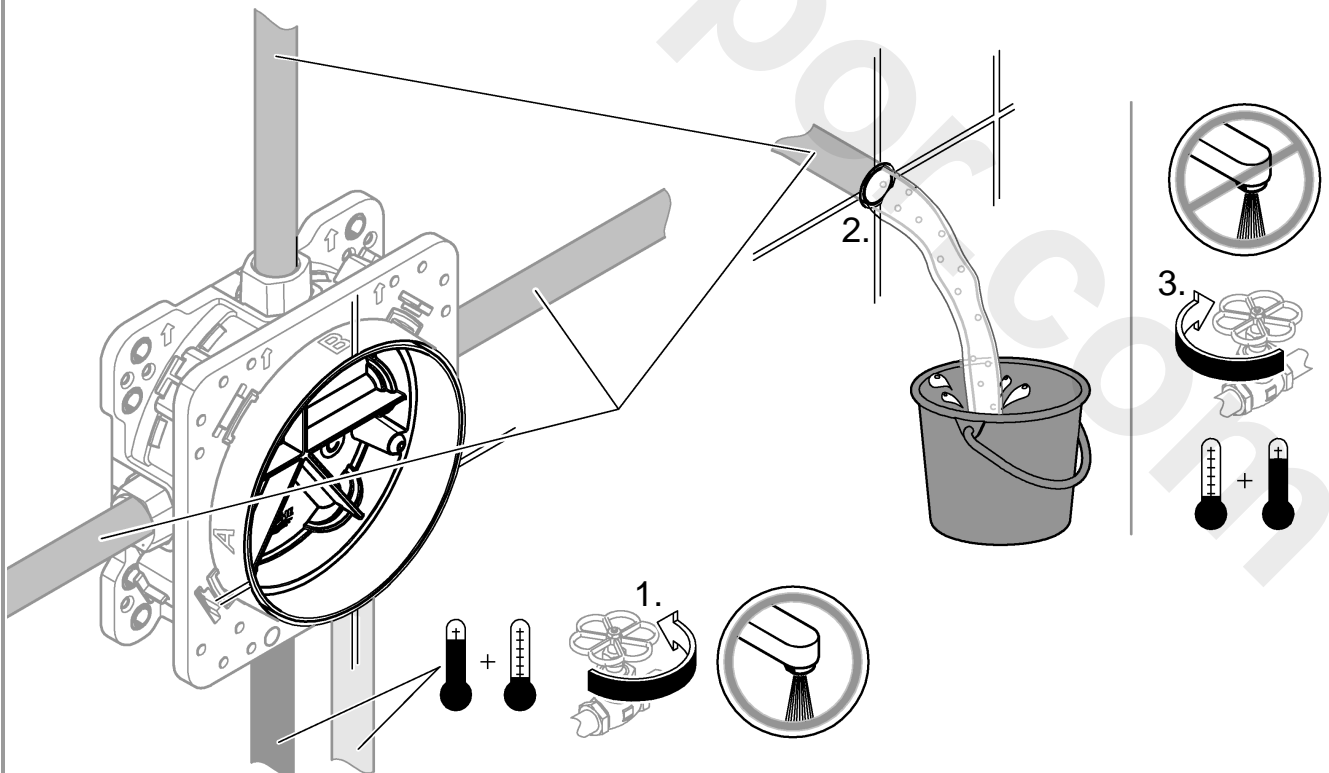
5

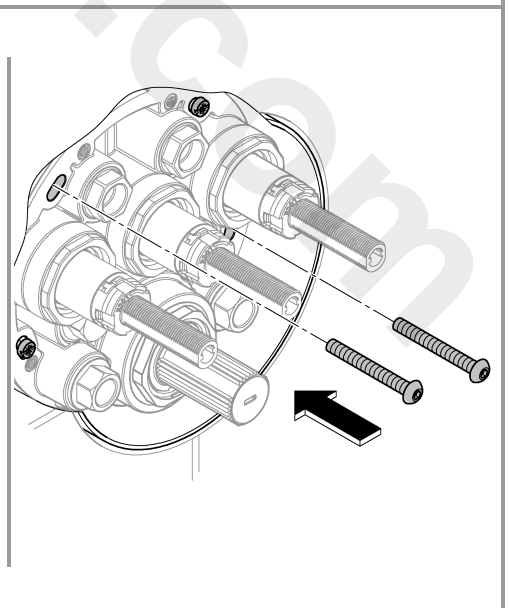
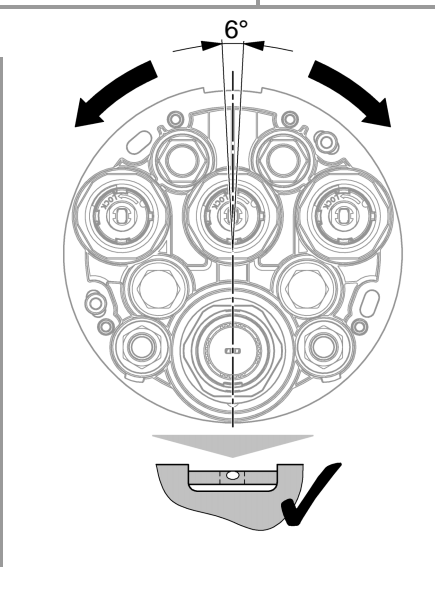
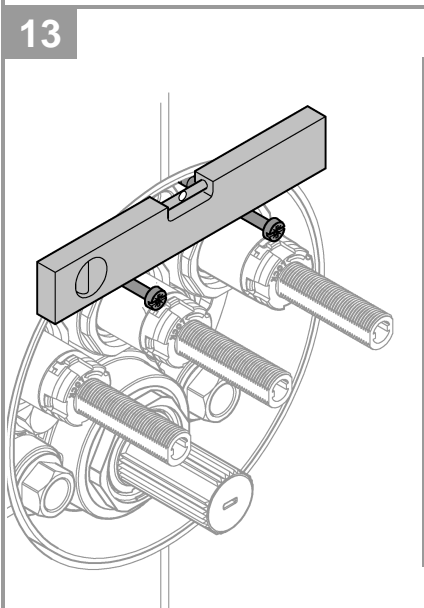
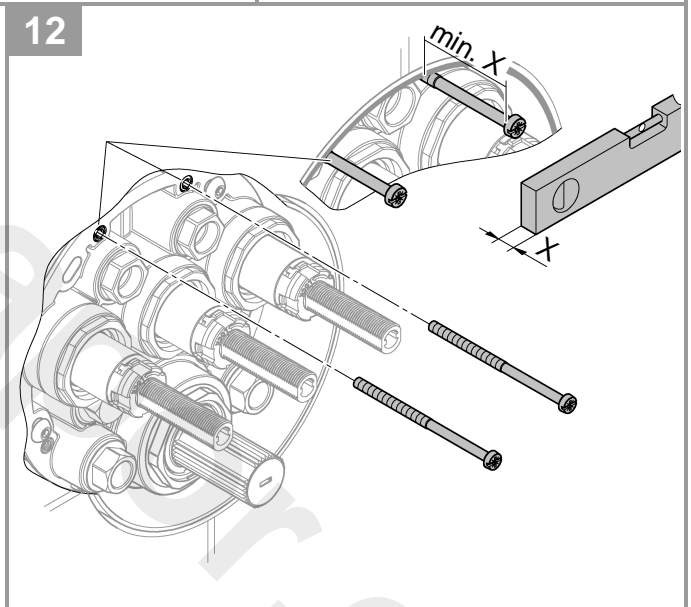
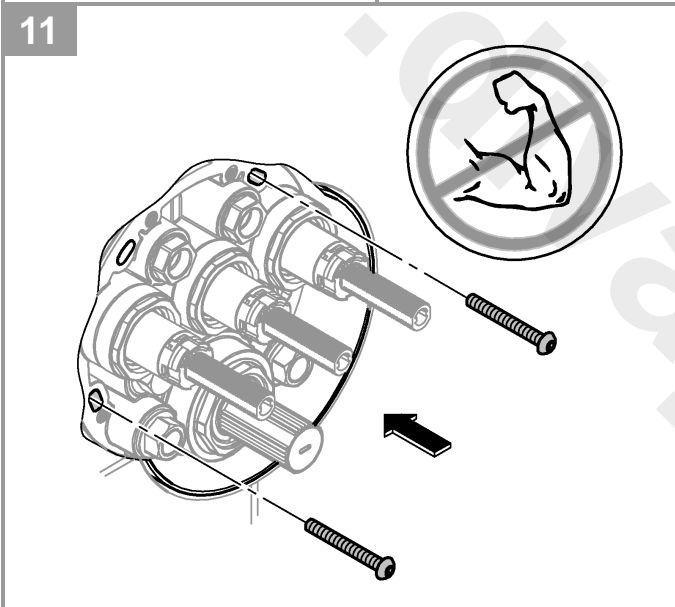
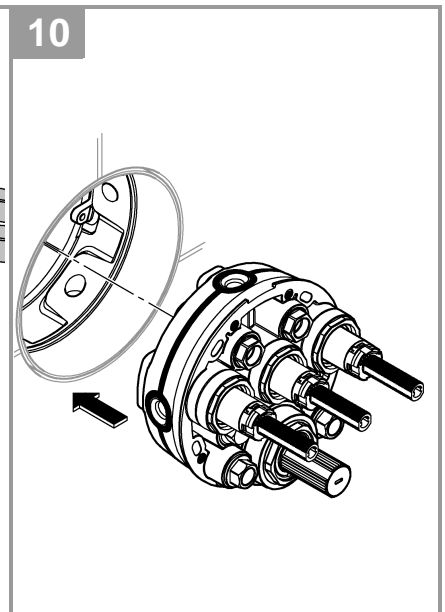
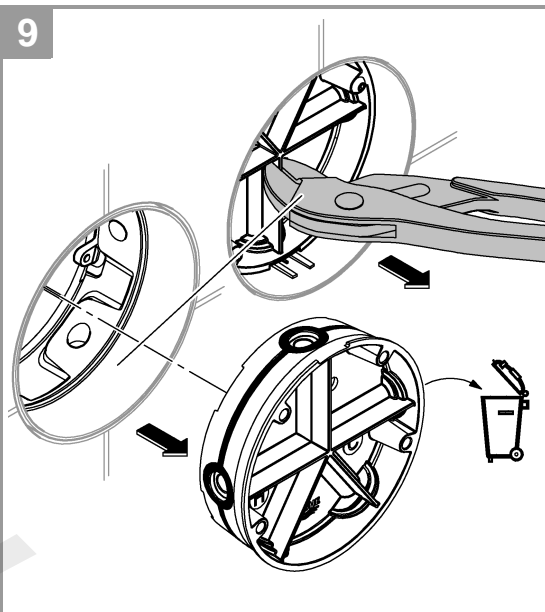
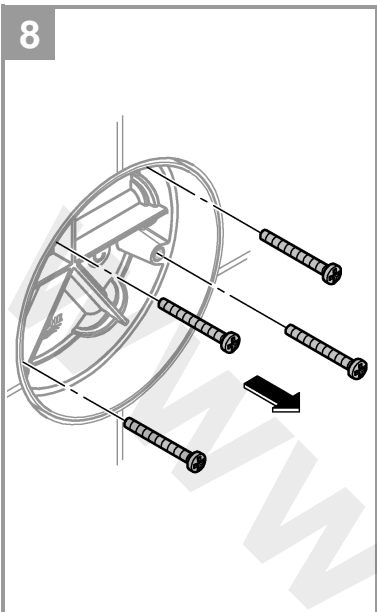


6



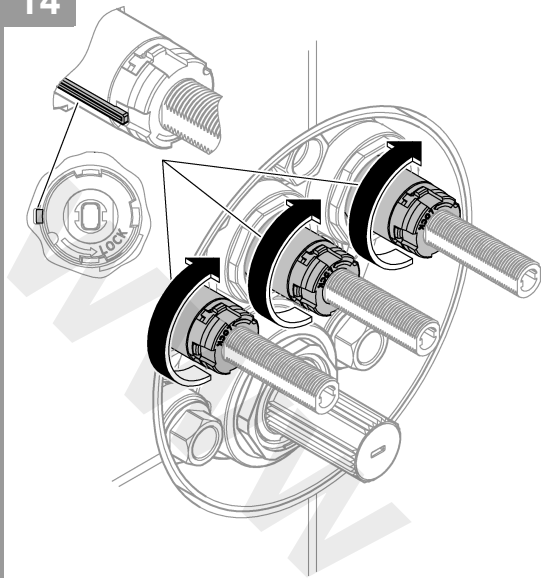
7



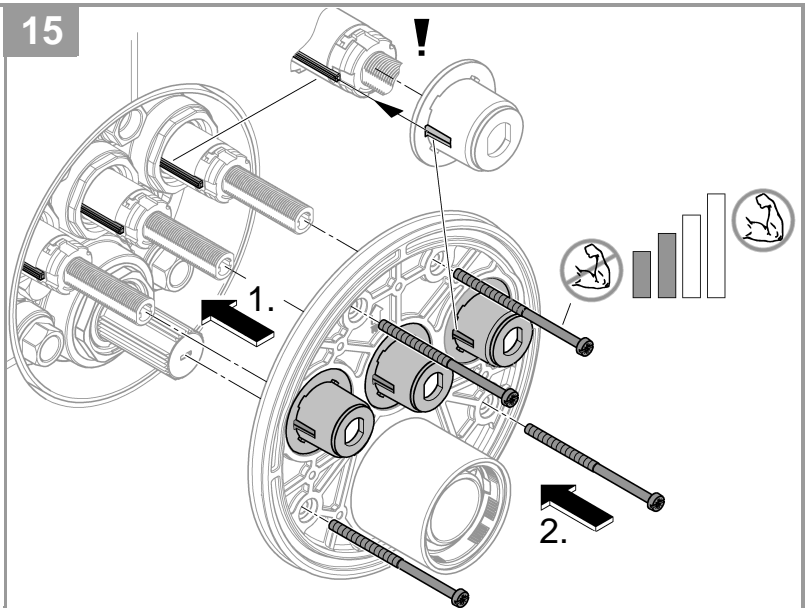




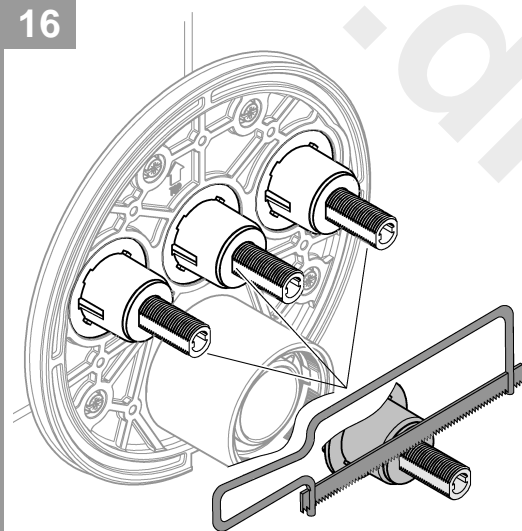
14



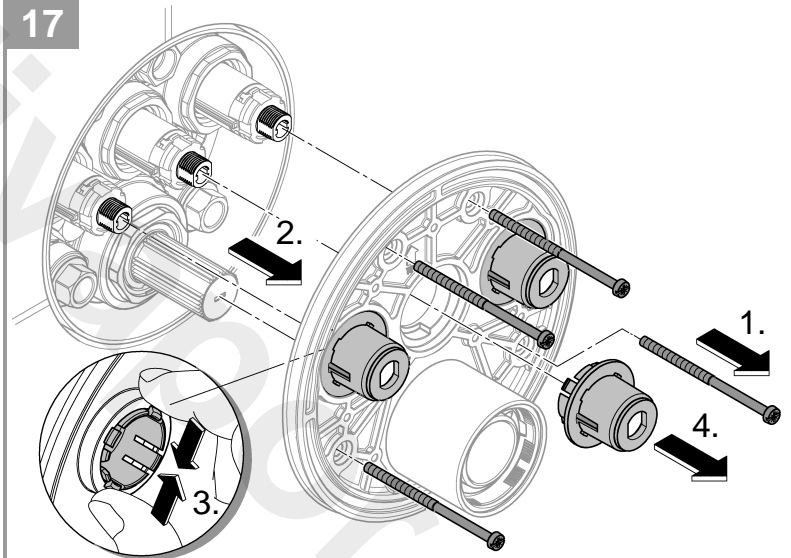
15



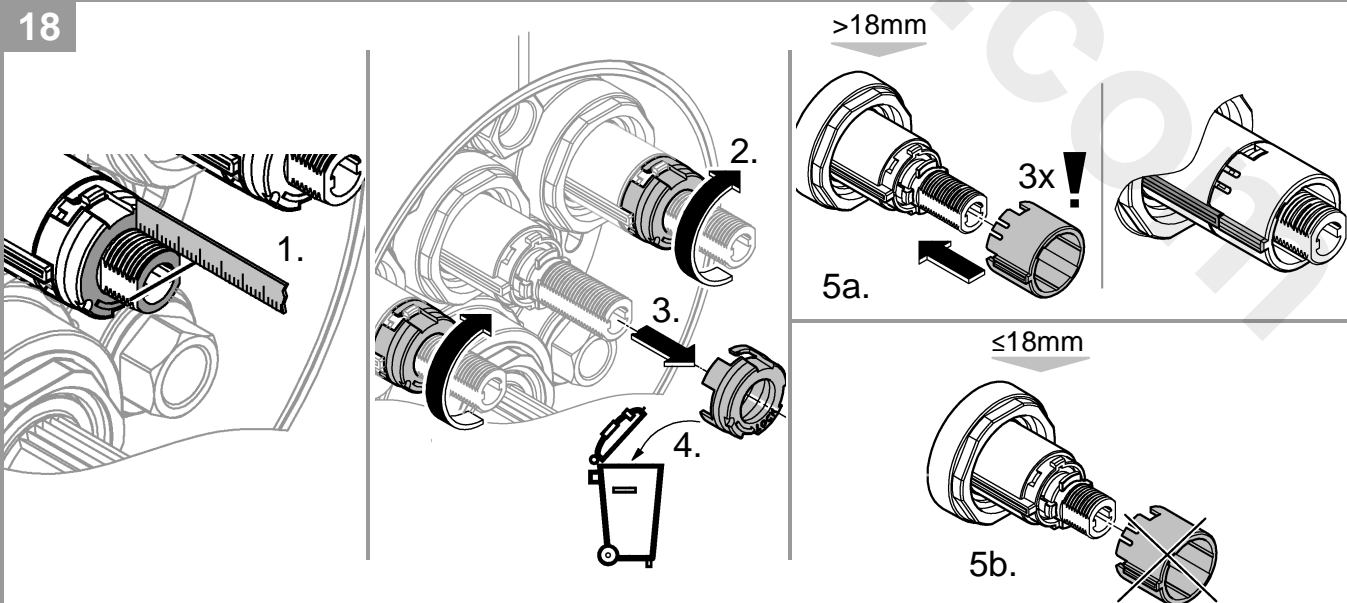
16



17

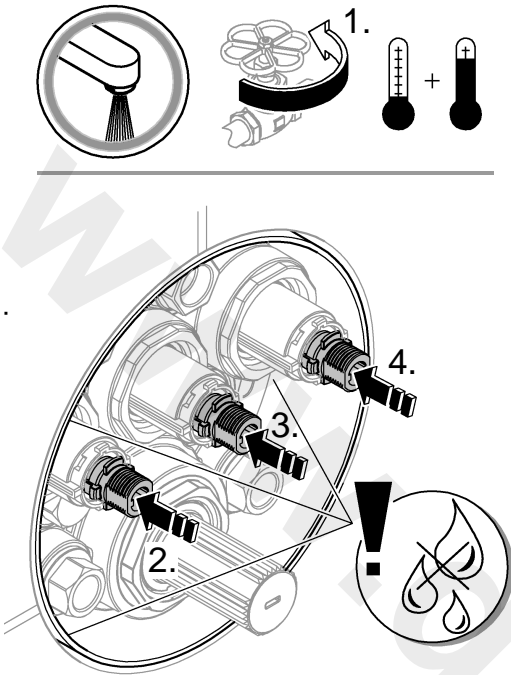


18

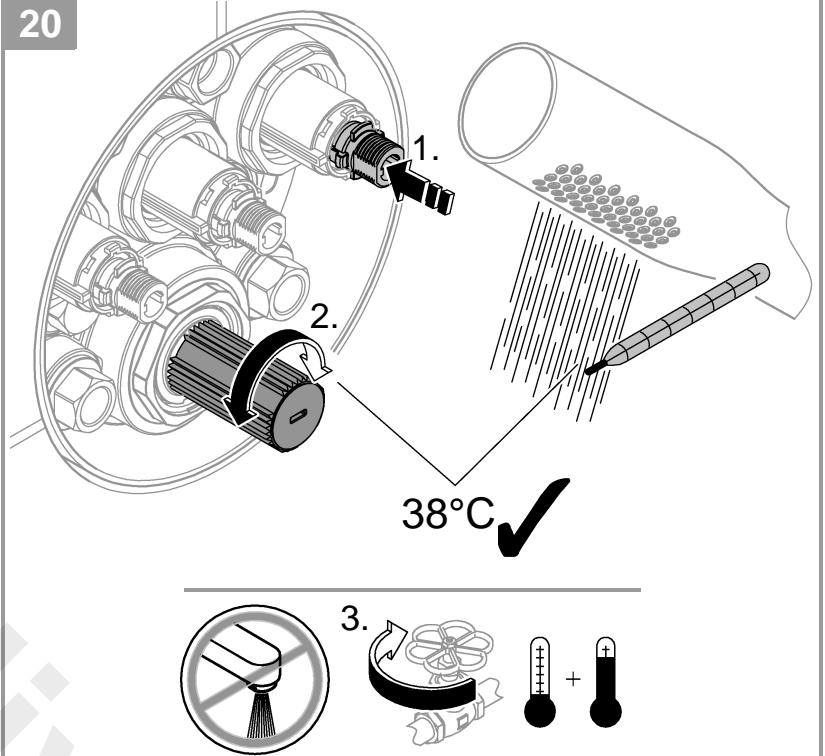




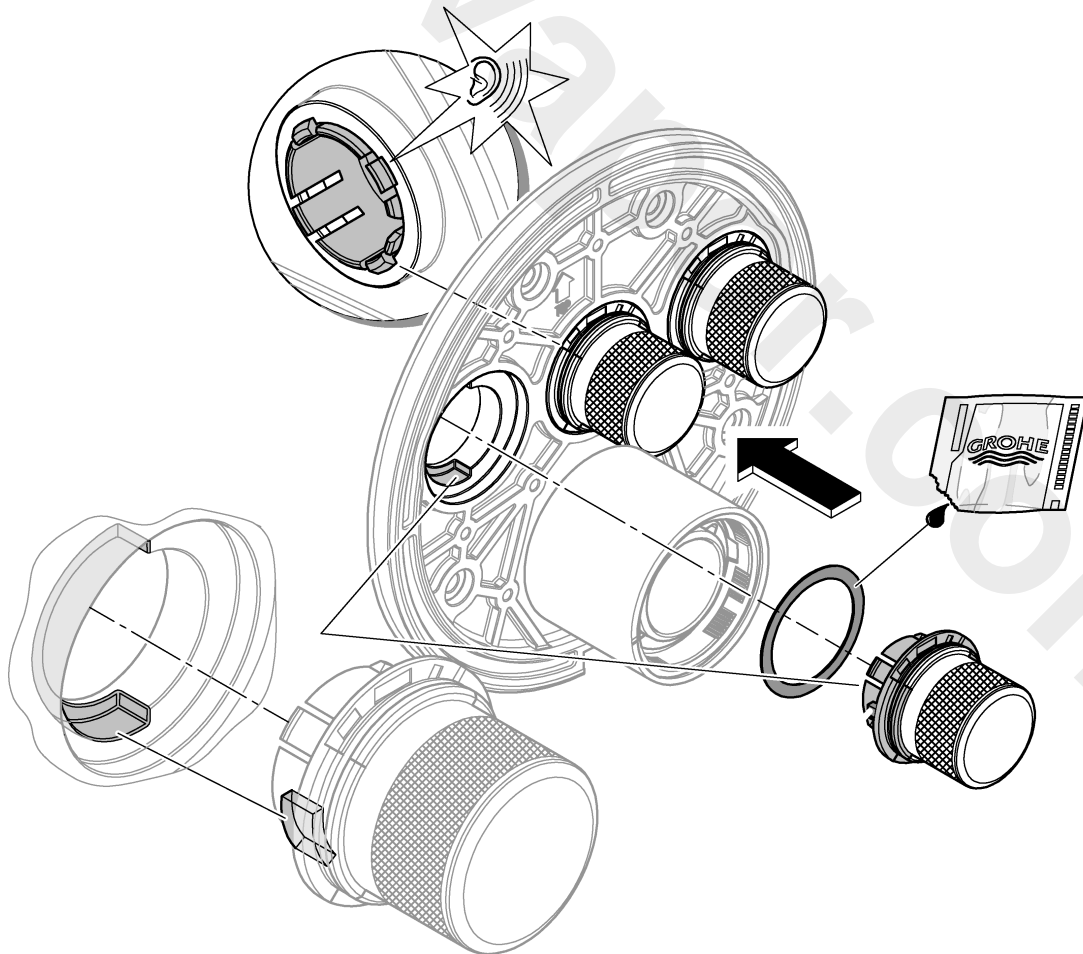
19



20

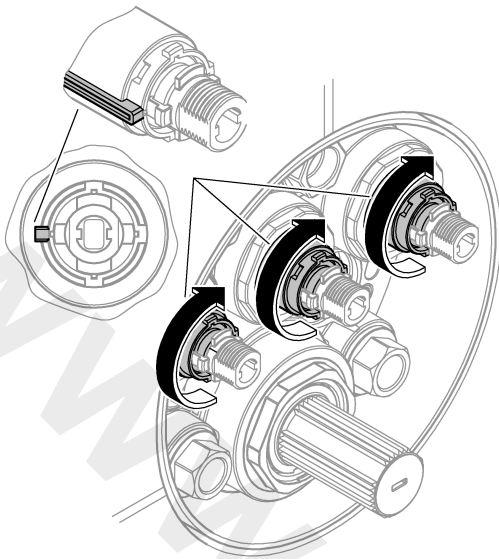


21

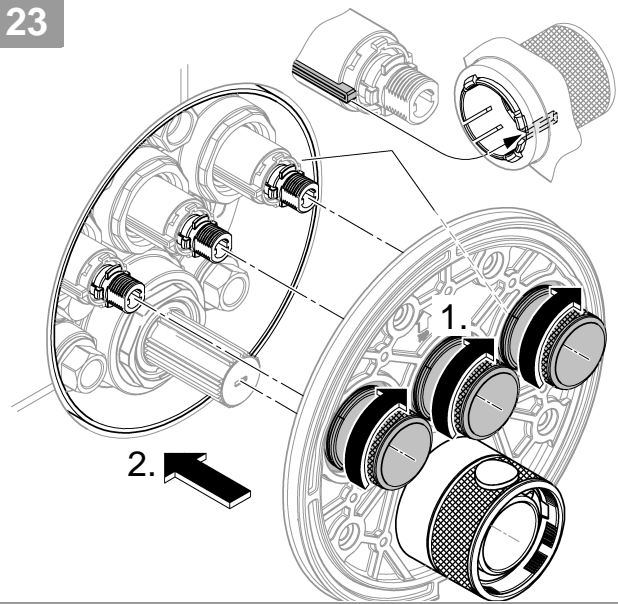




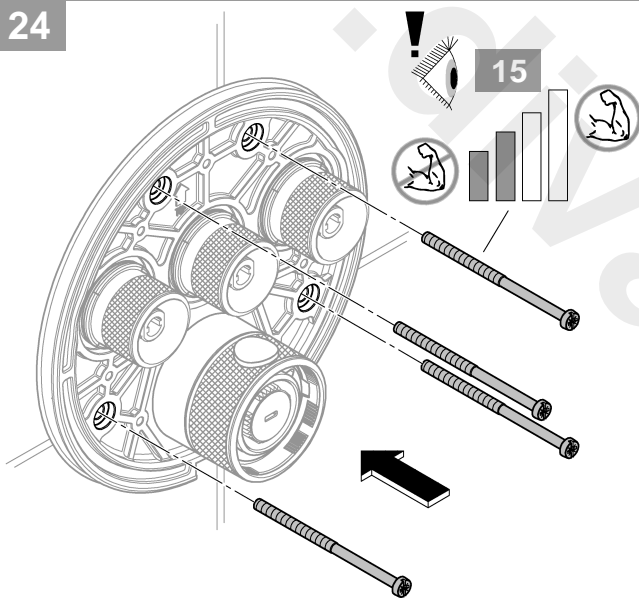
22



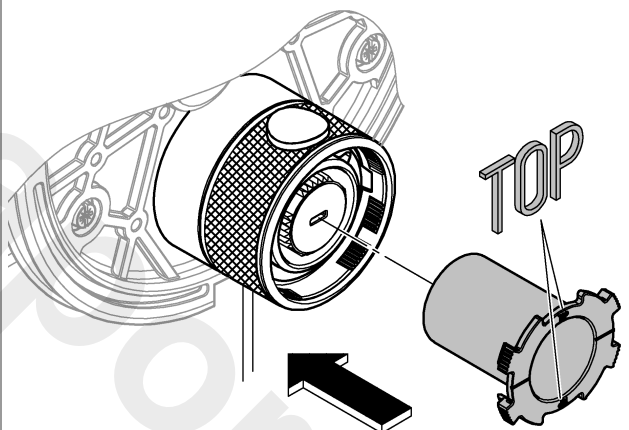
23



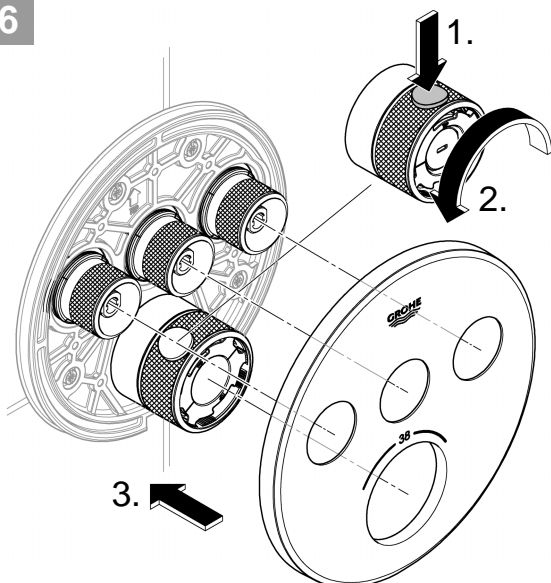
24



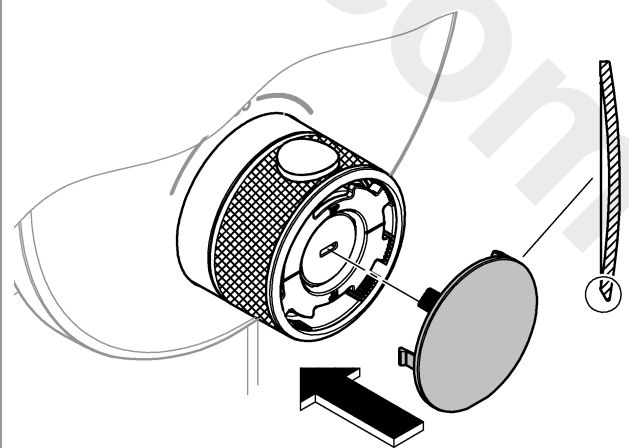
25



26

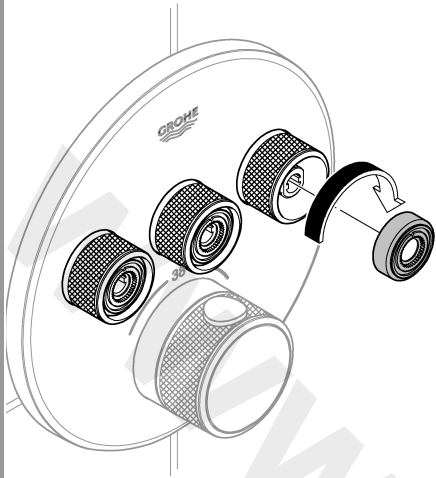


27

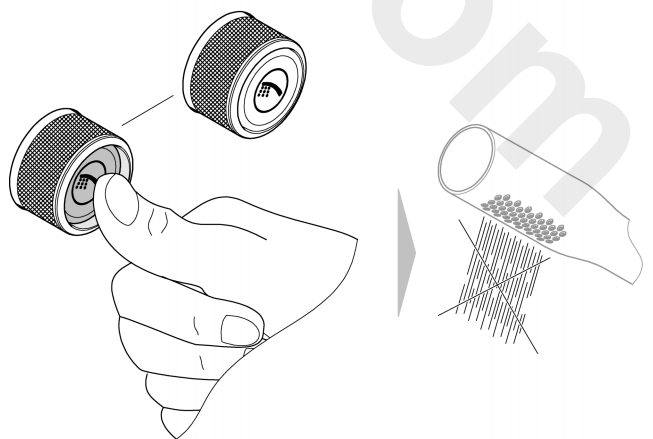
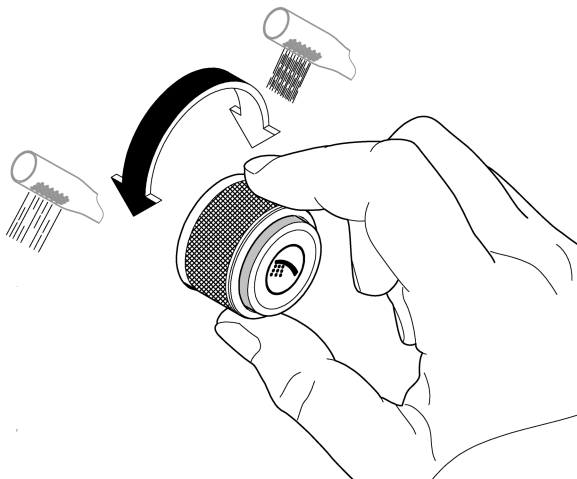
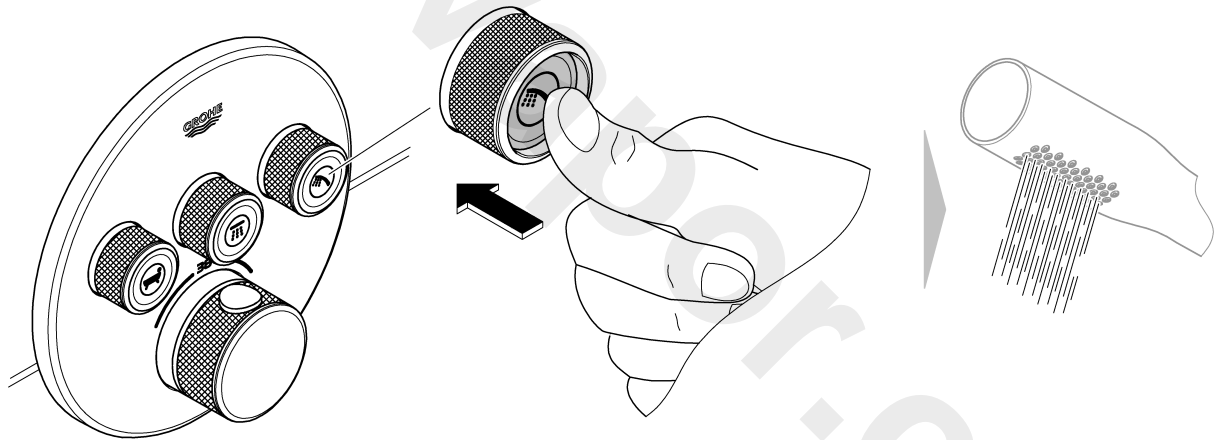
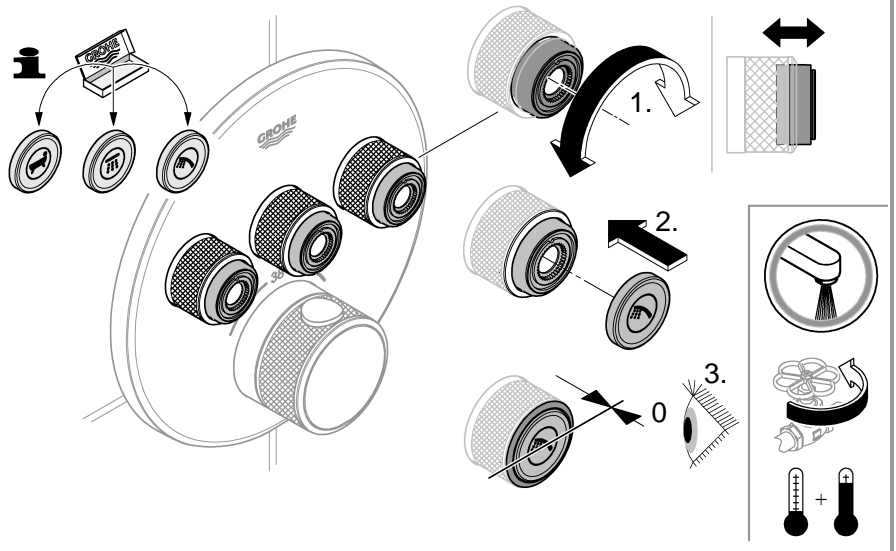


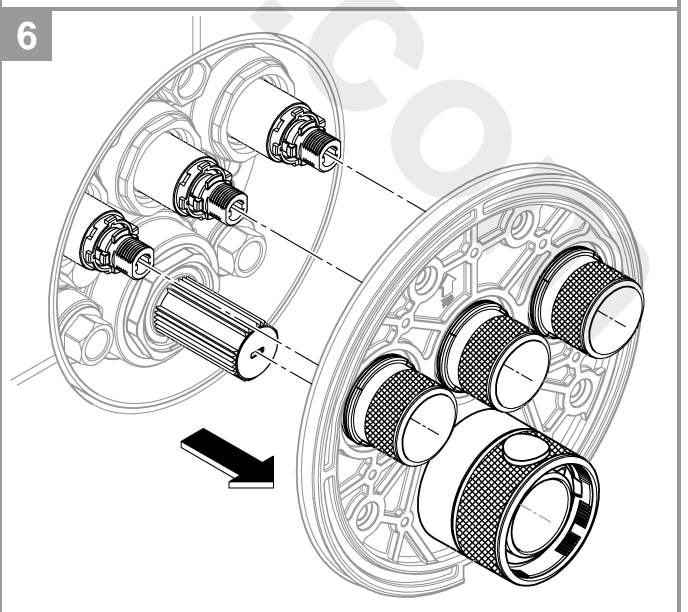
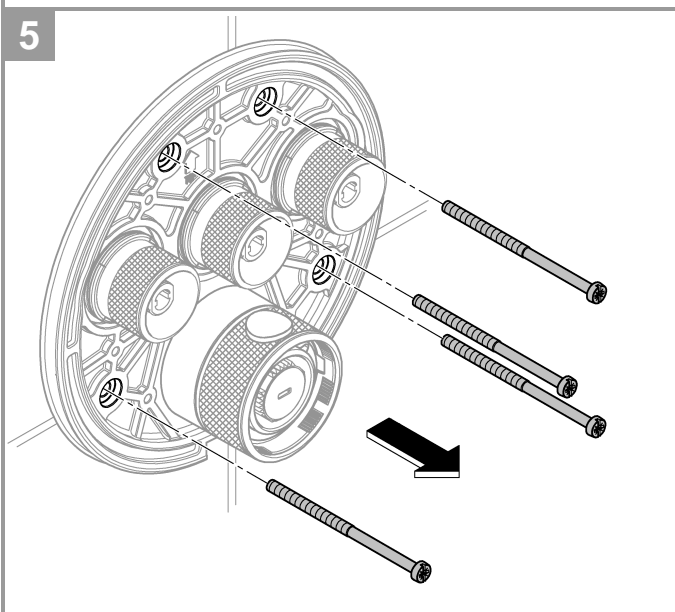
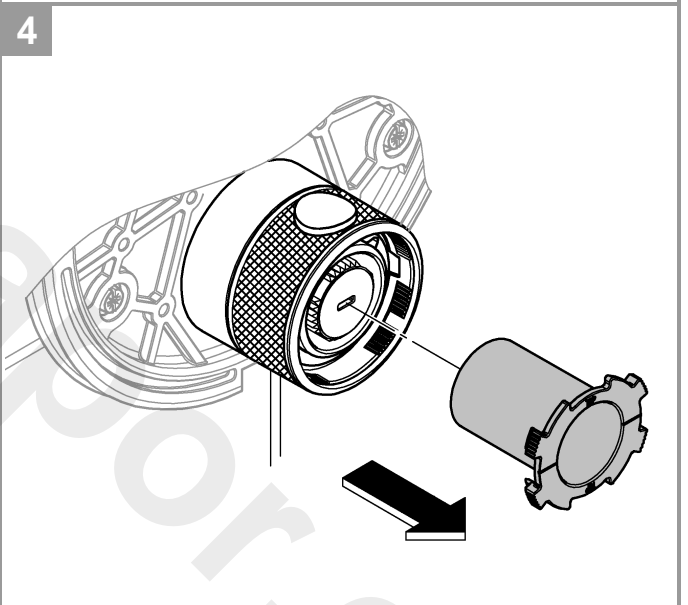
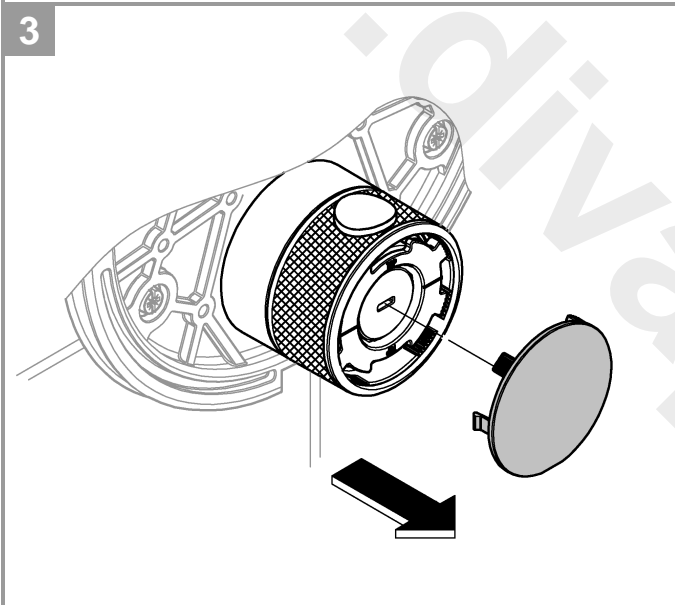
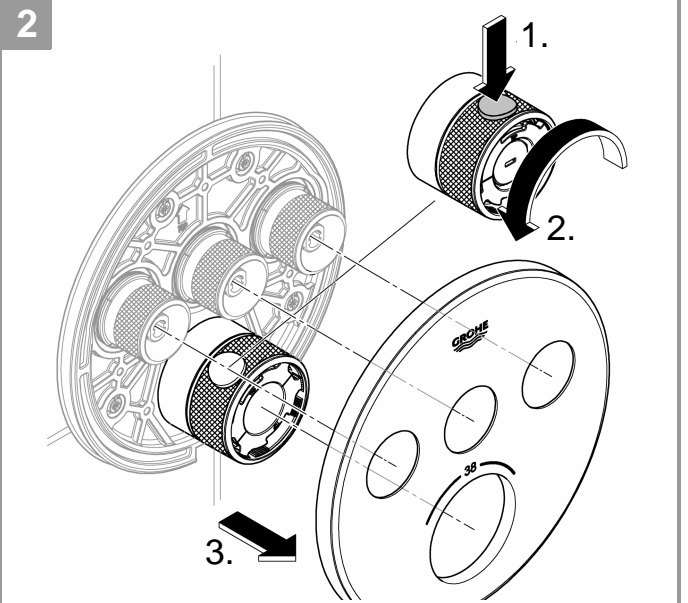
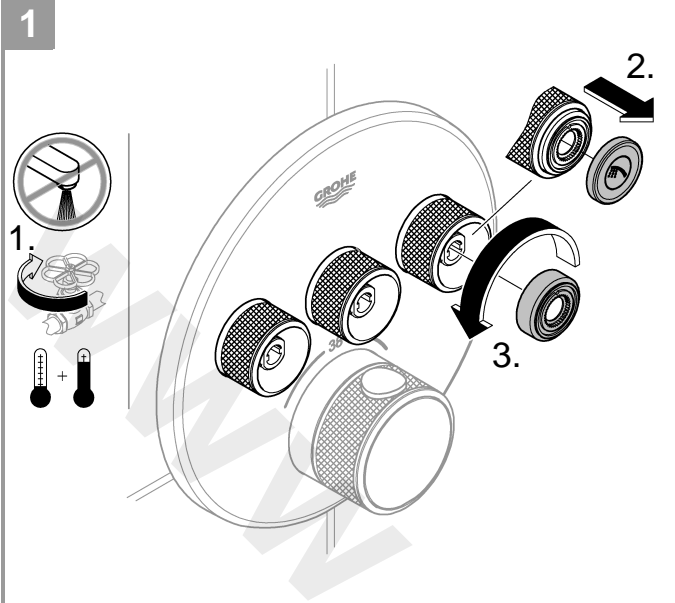
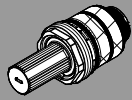


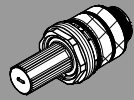
28



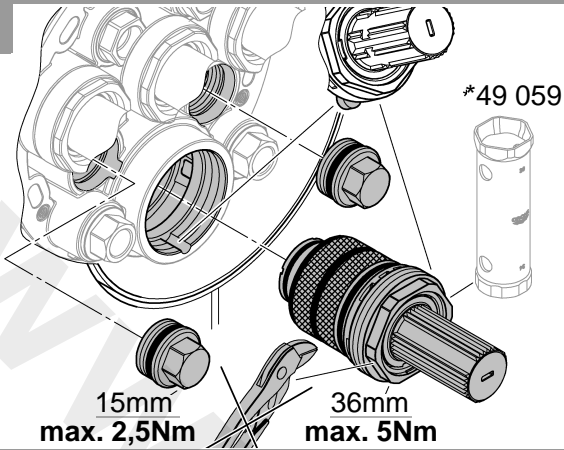
29



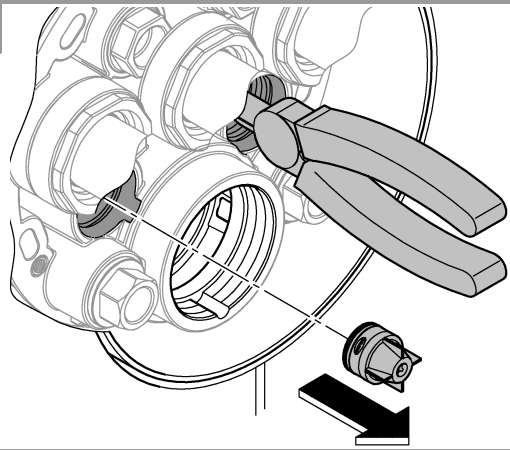




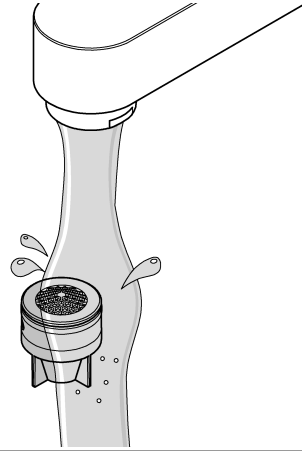
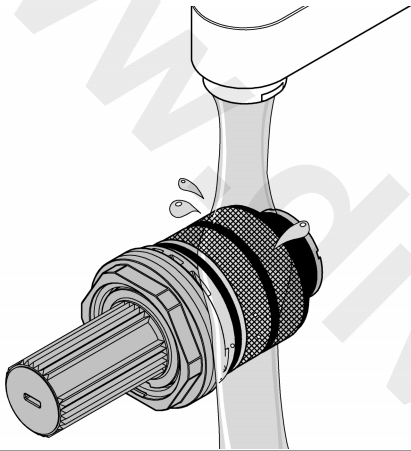
7a



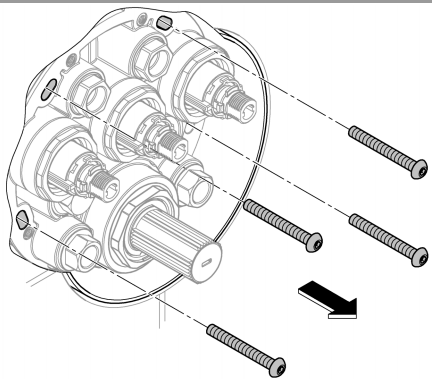
8a



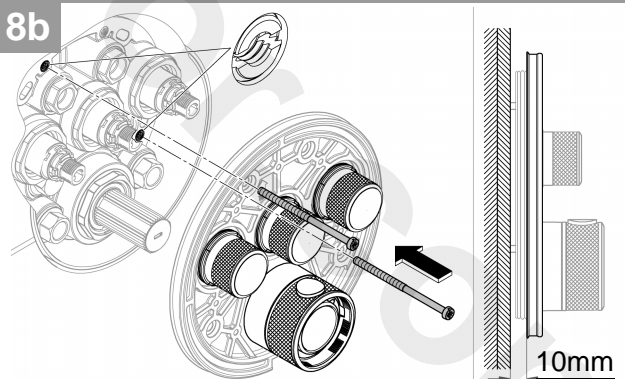
9a



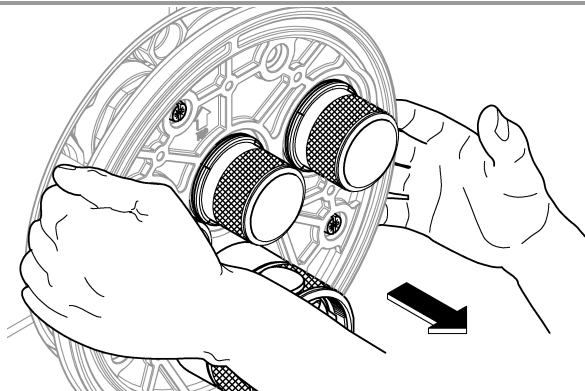
7b



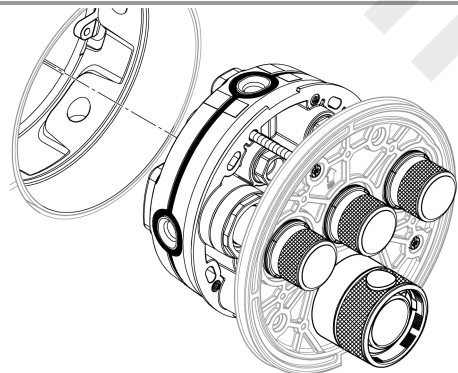
8b



9b



10b



Safety information



Avoiding scalding

It is recommended that thermostatic devices able to limit the water temperature to 43 °C be installed at points of discharge with special attention to the outlet temperature (hospitals, schools, nursing and retirement homes). This product is equipped with a temperature end stop. It is generally recommended that the temperature of shower systems not exceed 38 °C in nurseries and specific areas in care homes. Use Grotherm Special thermostats with special handles for facilitating thermal disinfection and with an appropriate safety end stop. Applicable standards (e.g. EN 806-2) and technical regulations for potable water must be observed.

Technical Data

- Flow pressure
 - Minimum flow pressure without downstream resistances 50 kPa
 - Minimum flow pressure with downstream resistances 100 kPa
 - Recommended 150:500 kPa
- Minimum flow rate 5 l/min
- Temperature
 - Hot water supply max. 70 °C
 - Recommended for energy saving 60 °C
 - Thermal disinfection possible
 - Safety stop 43 °C
- Hot water temperature at supply connection min. 2 °C higher than mixed water temperature

Flow rates without downstream resistances, see page 1. **These should be observed when dimensioning the outlet!**

The following special accessories are available:

- Extension 25mm (prod. no.: 14 048)
- Isolating valves (prod. no.: 14 053)

Thermostat compact cartridge for exchanged water channels: Reversed connections, hot on right and cold on left, replace compact cartridge (prod. no.: 49 003)

Installation

This product must be installed in conformance with local codes e.g. AS/NZS 3500 series of standard!

- In order to flush, remove the plugs (Y), see page 2 Fig. [4].
- Open cold and hot water supply and check connections for watertightness!
- Alignment of functional unit by 6° possible.
- Measure valves, see page 5 Fig. [18]. For a dimension larger than 18mm, the enclosed extension must be used.

Adjusting to 38 °C

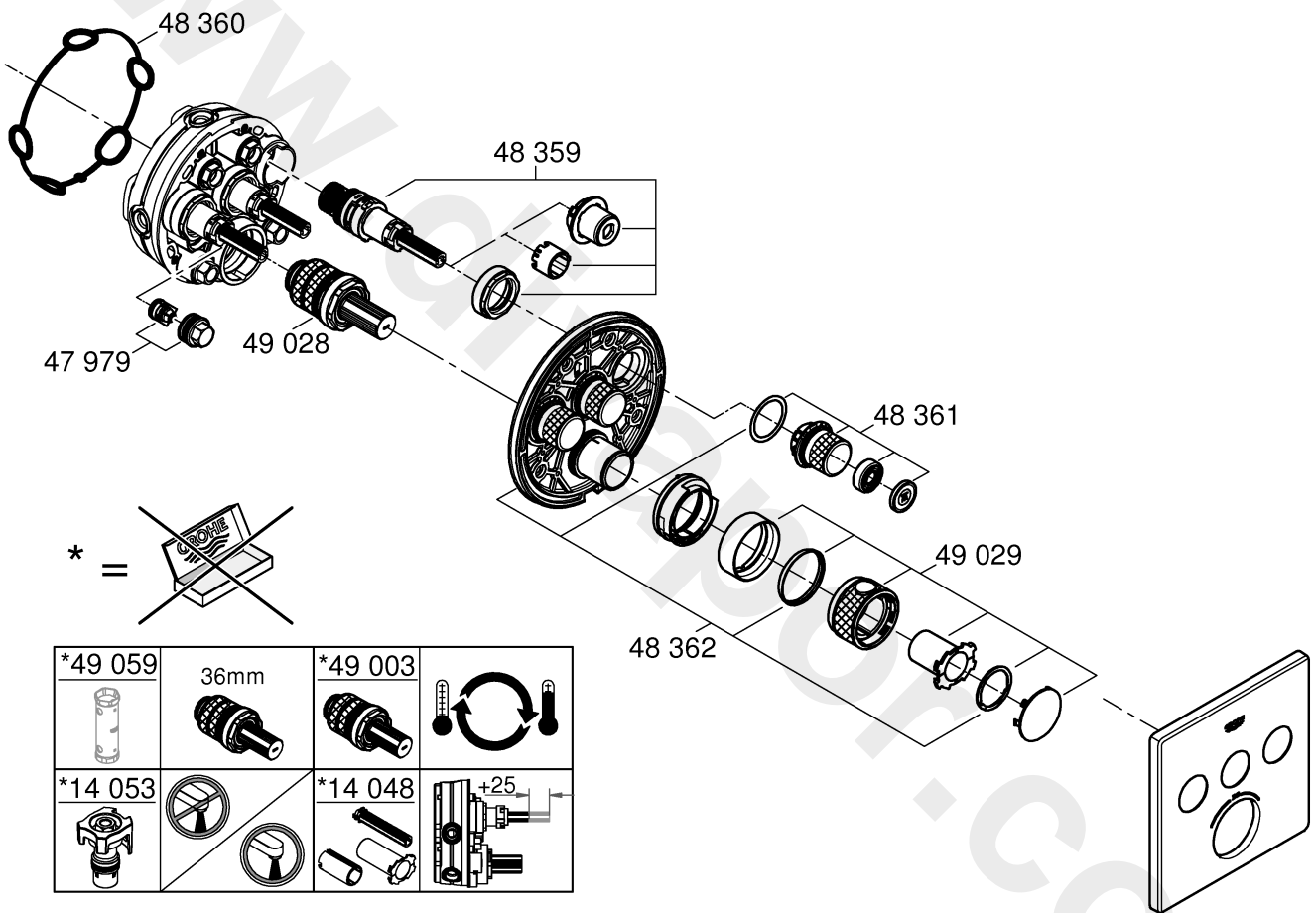
- Before the mixer is put into service if the mixed water temperature measured at the point of discharge varies from the desired temperature set on the thermostat, see page 6 Fig. [20].
- Every time following maintenance on the thermostatic compact cartridge.

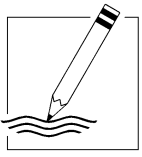
Temperature limitation

The safety stop limits the temperature range to 38 °C. If a higher temperature is required, the 38 °C stop can be overridden by pressing the button.

Danger of frost damage

When the domestic water system is drained, the thermostats must be drained separately since non-return valves are installed in the hot and cold water connections.





www-divapora.com

www.divapor.com

AUS

Reece Australia Pty Ltd
118 Burwood Hwy
Burwood VIC 3125

Tel.: +61 3 9274 0000
Email: admin@reece.com.au



NZ

Robertson
25 Vestey Drive
Mt Wellington, Auckland

Tel.: +64 9 5730490
Email: sales@robertson.co.nz