

GROHE RED MONO

Made in Germany

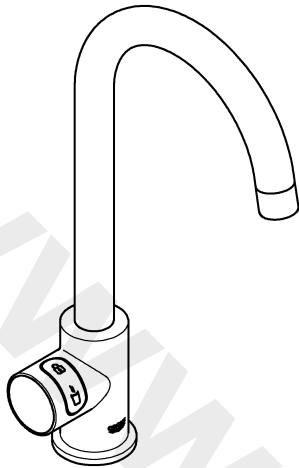
99.0830.031/ÄM 239072/06.17

www.grohe.com

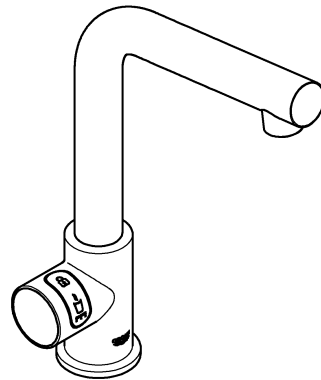
Pure Freude an Wasser



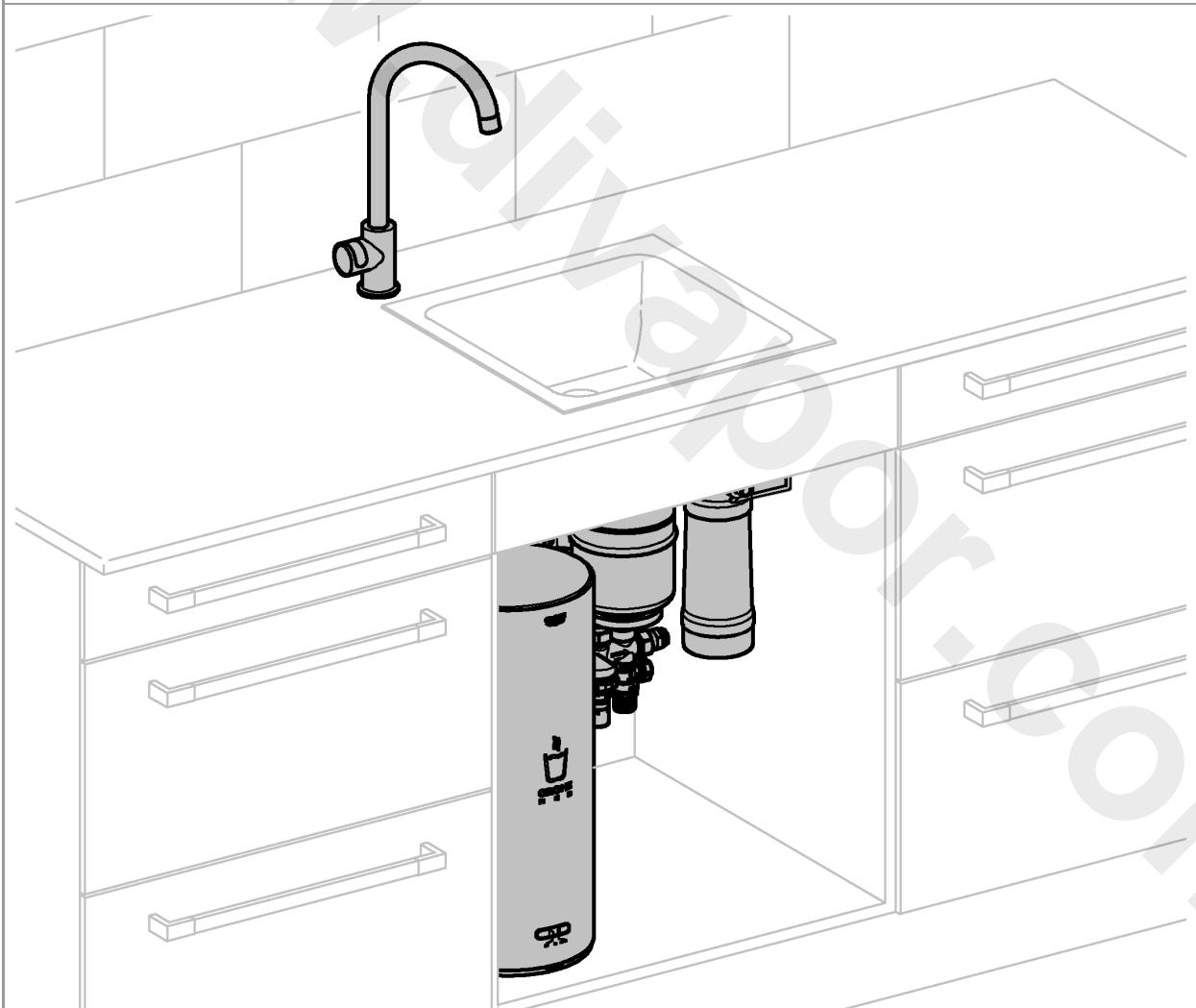
30 060



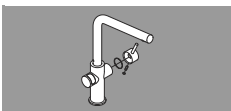
30 329



GB ..11



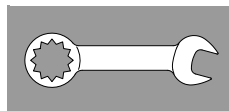
1



2



3 - 7



8



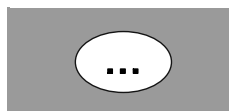
9



10

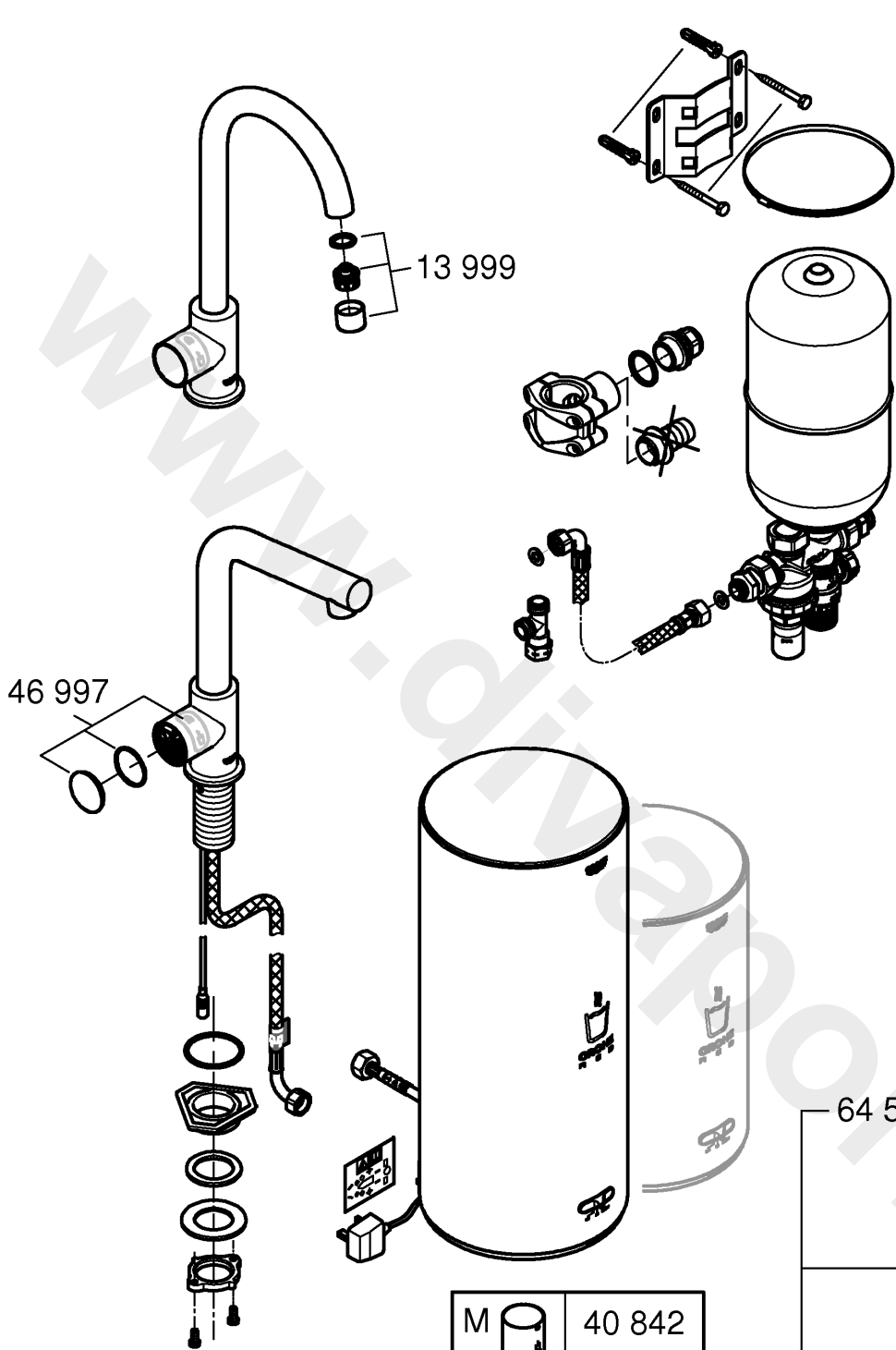




11 - 13



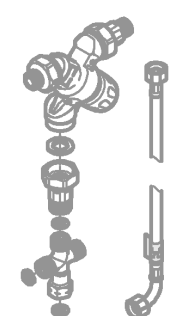
15





M		40 842
L		40 834

*40 841




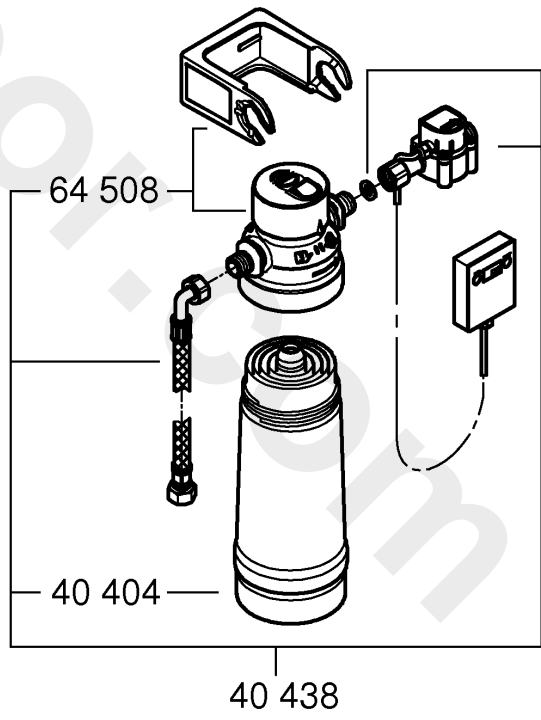
*40 412 (L)

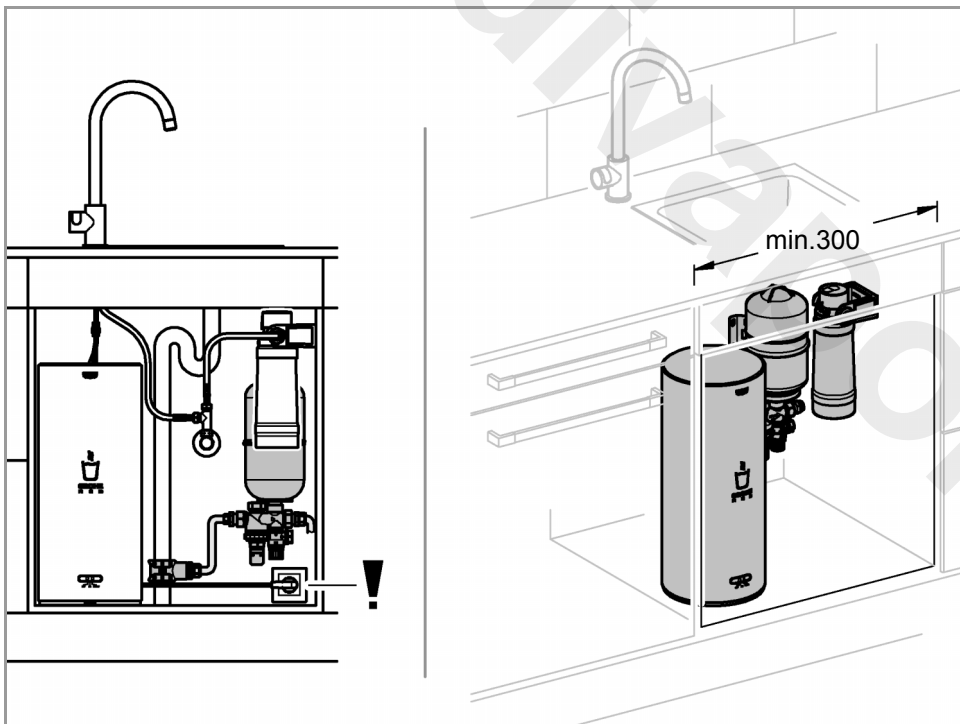
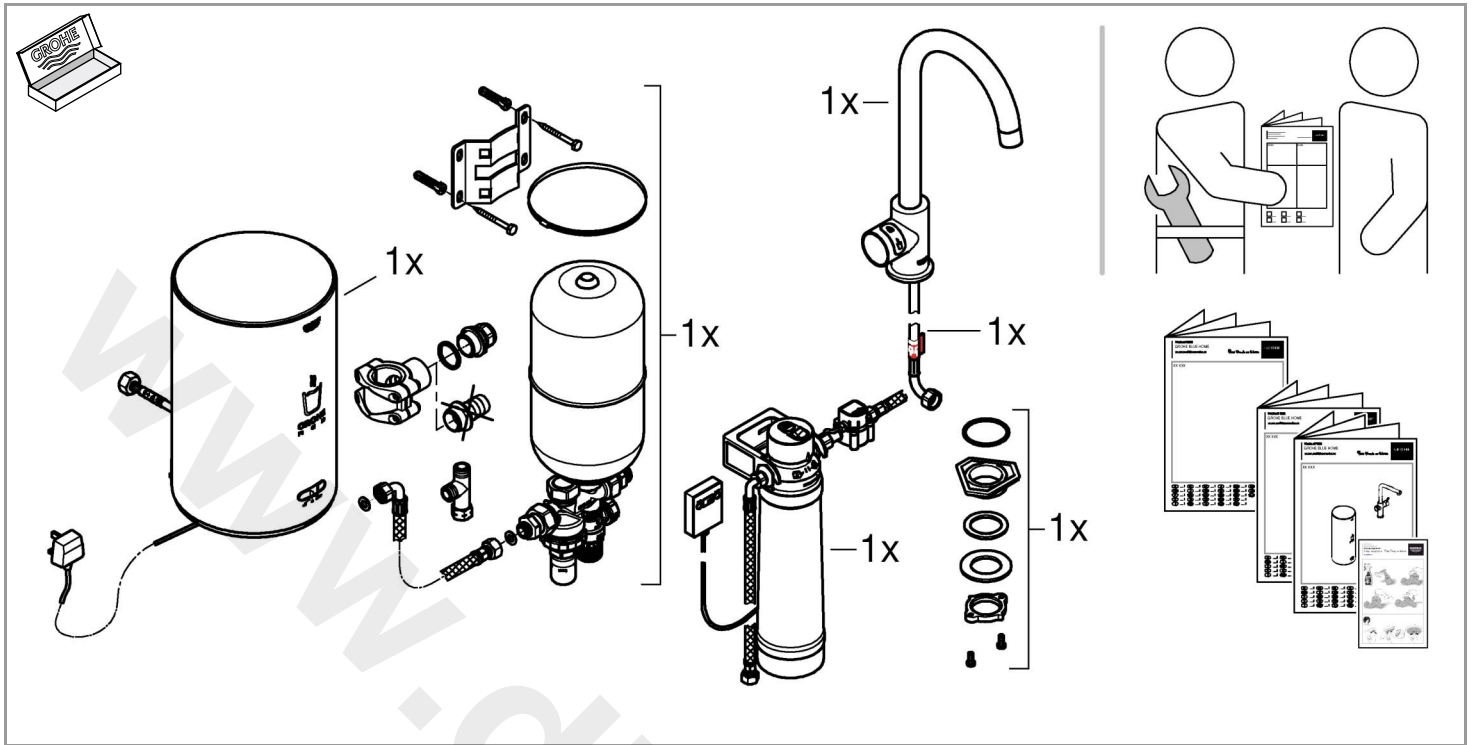
*40 430 (M)

*40 547 (AC)

*40 575 (UltraSafe)

*40 691 (Mg+)



GROHE

Grohe AG
Industriepark Edelburg
58575, Germany

Grohe RED UK

■ L 1000 kPa
230V~ 2200W
IPX4

CE

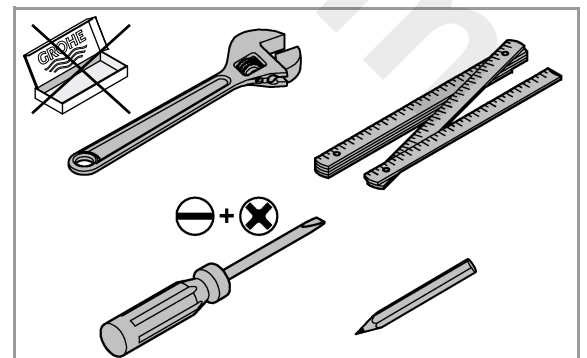
⊗

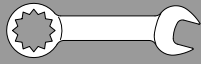
Serialnr.

°KH

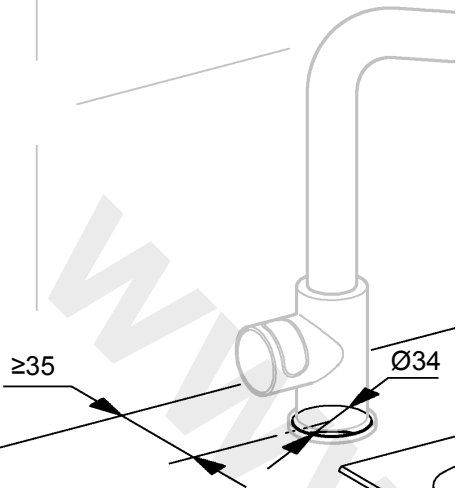
°KH	Color	Value
< 7	Light Blue	3
7 - 24	Medium Blue	2
> 25	Dark Blue	1

Lokale Wasserhärte (°KH) ermitteln.
Determine local water hardness (°KH).
Déterminer la dureté de l'eau locale (°KH).

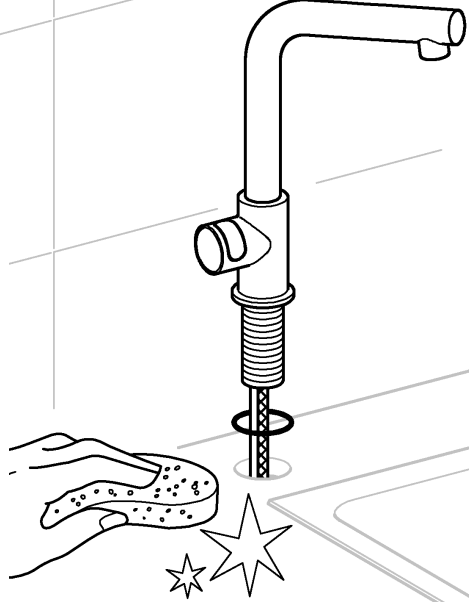




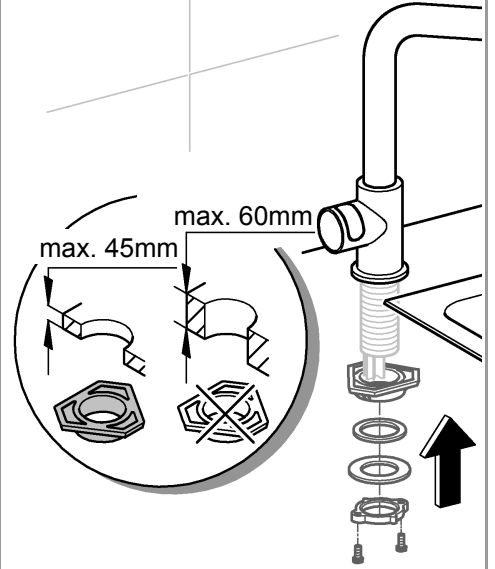
1



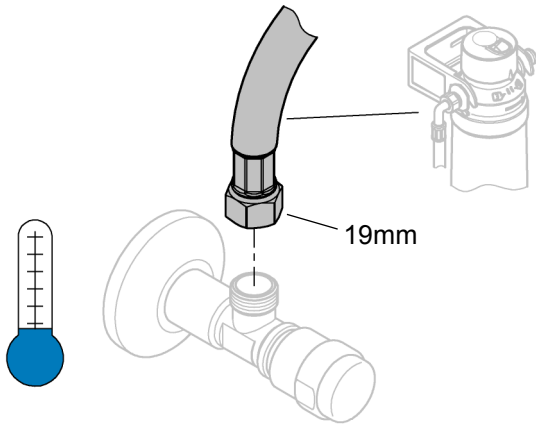
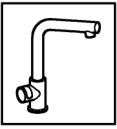
2



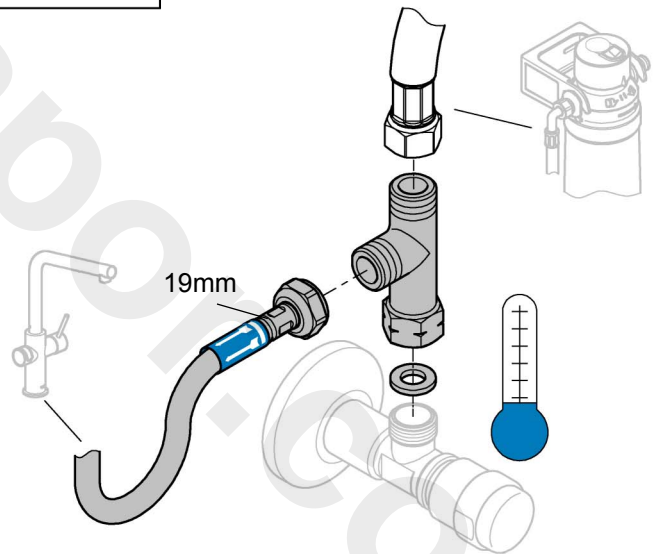
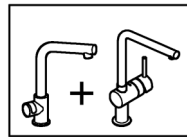
3



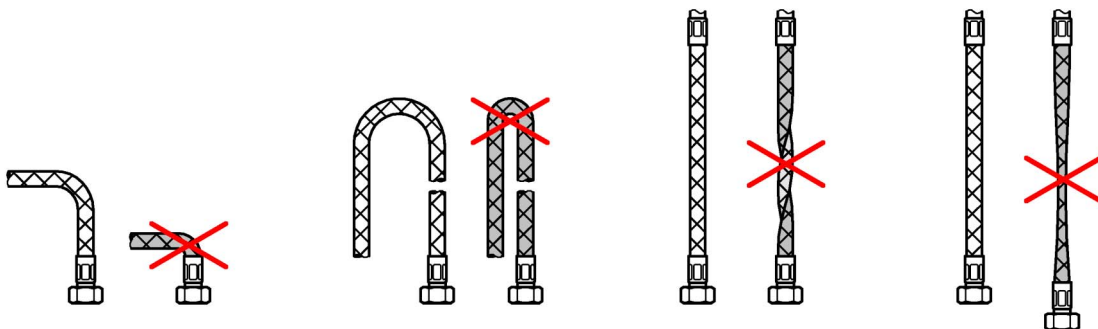
4a

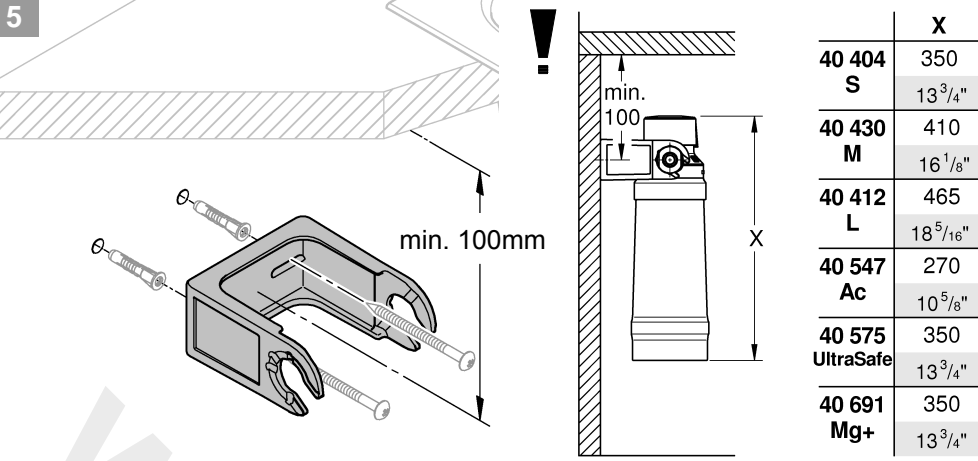


4b

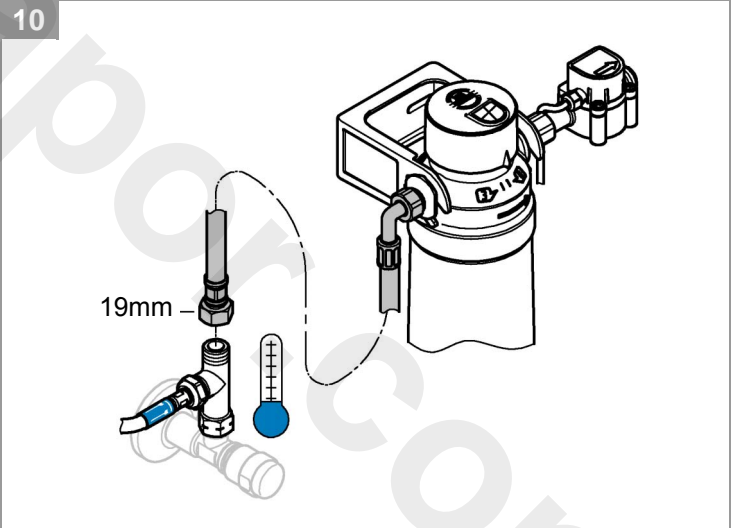
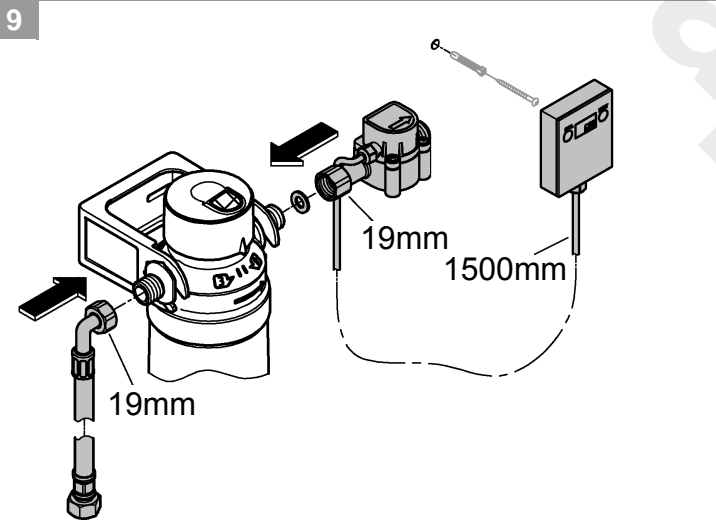
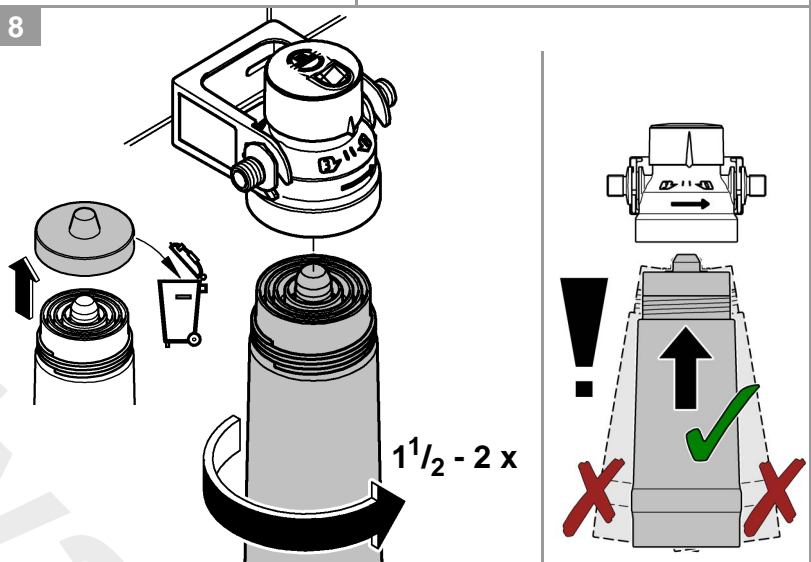
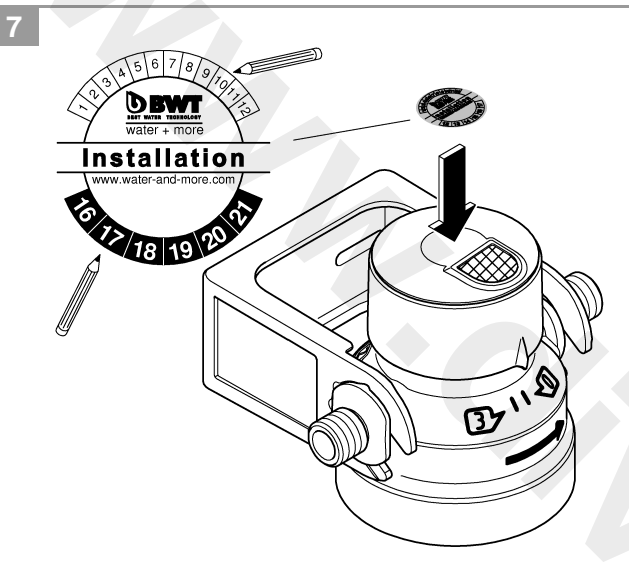
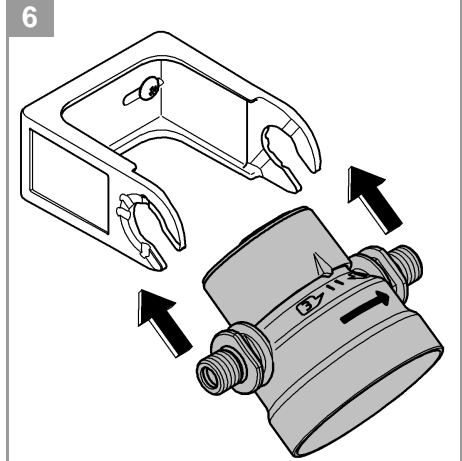


!



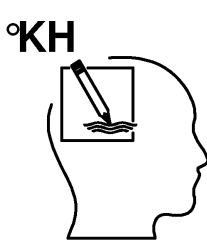


	X
40 404 S	350 13 ³ / ₄ "
40 430 M	410 16 ¹ / ₈ "
40 412 L	465 18 ⁵ / ₁₆ "
40 547 Ac	270 10 ⁵ / ₈ "
40 575 UltraSafe	350 13 ³ / ₄ "
40 691 Mg+	350 13 ³ / ₄ "

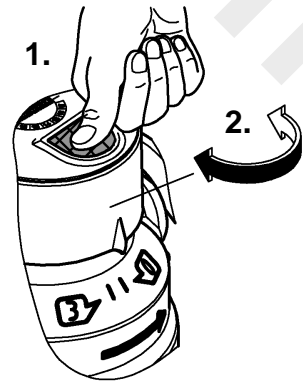


11

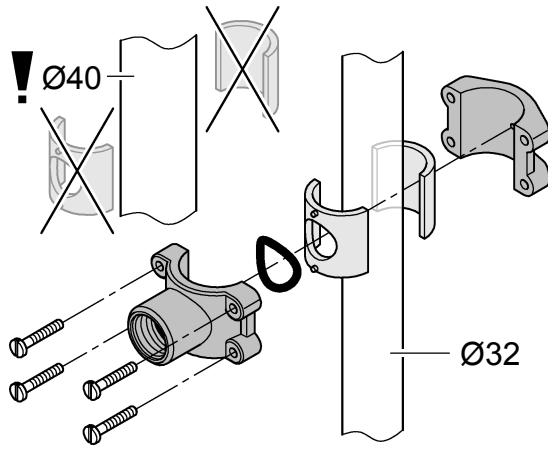
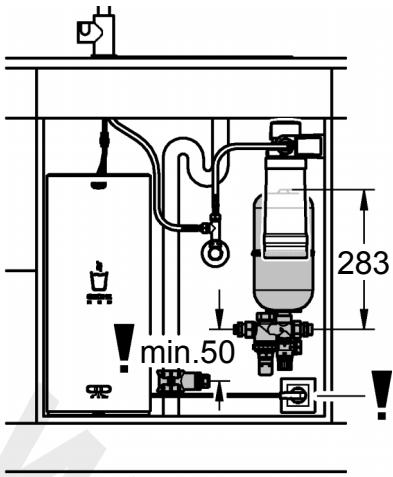
Lokale Wasserhärte (°KH) einstellen.
Adjust local water hardness (°KH).
Régler la dureté de l'eau locale (°KH).



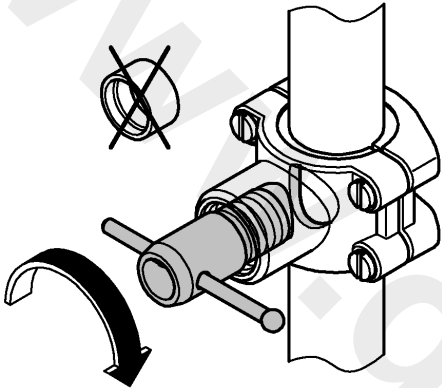
°KH	
< 7	3
7 - 24	2
> 25	1



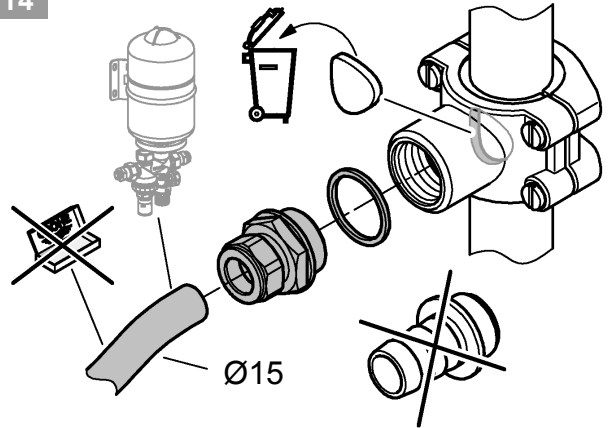
12



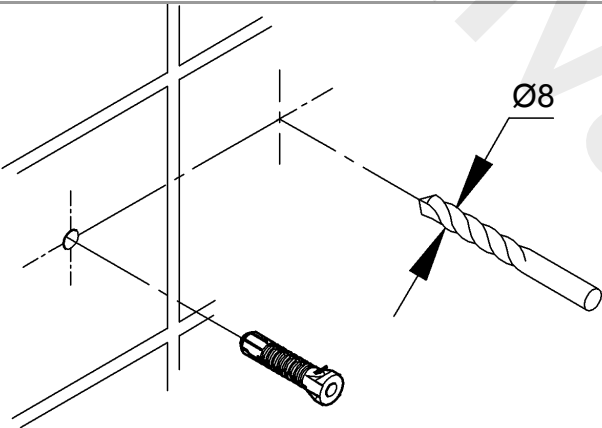
13



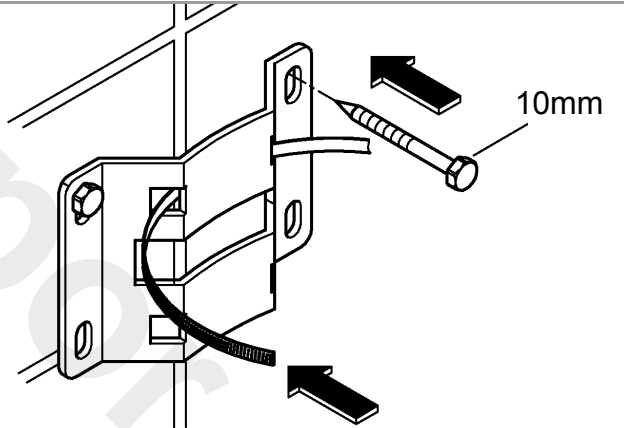
14



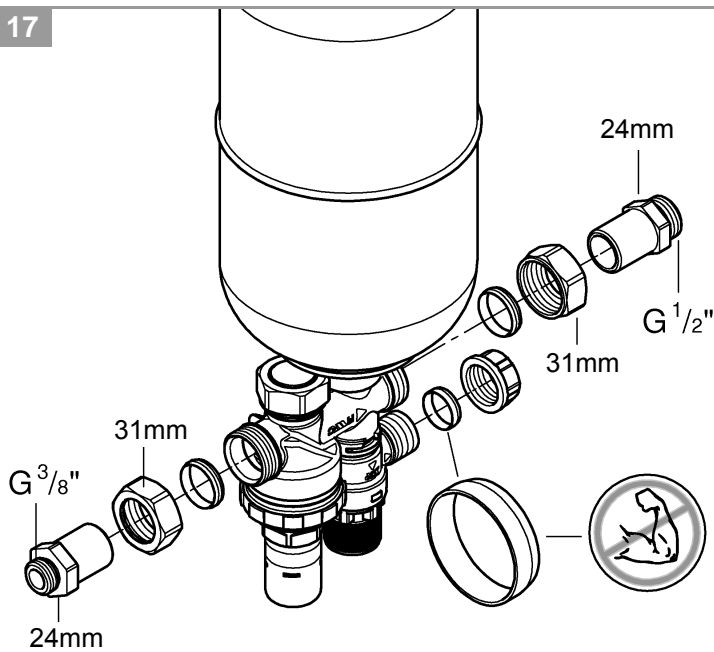
15



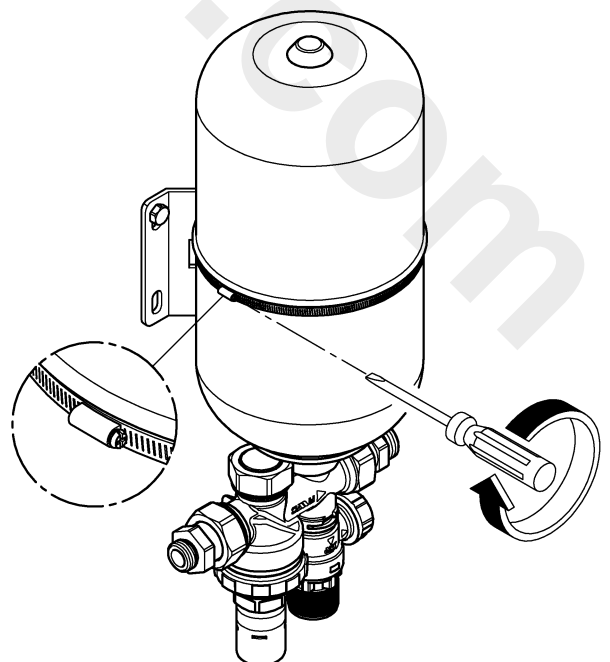
16



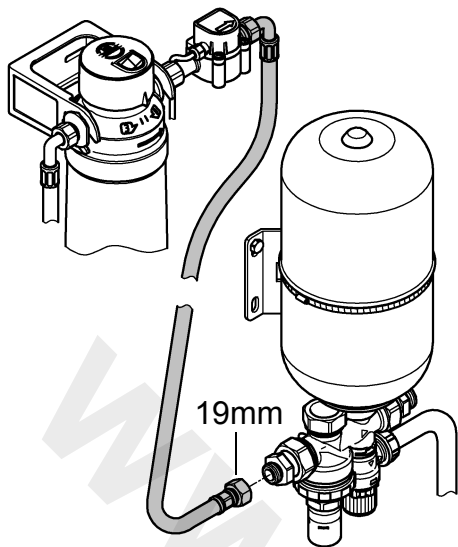
17



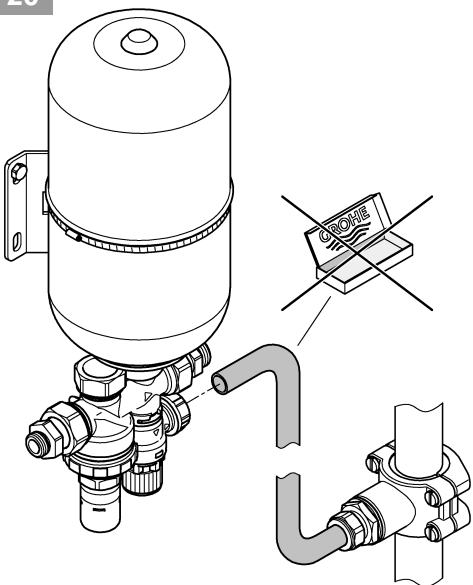
18



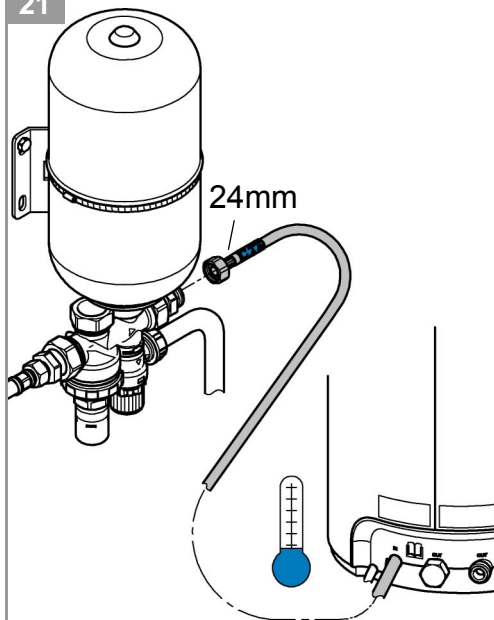
19



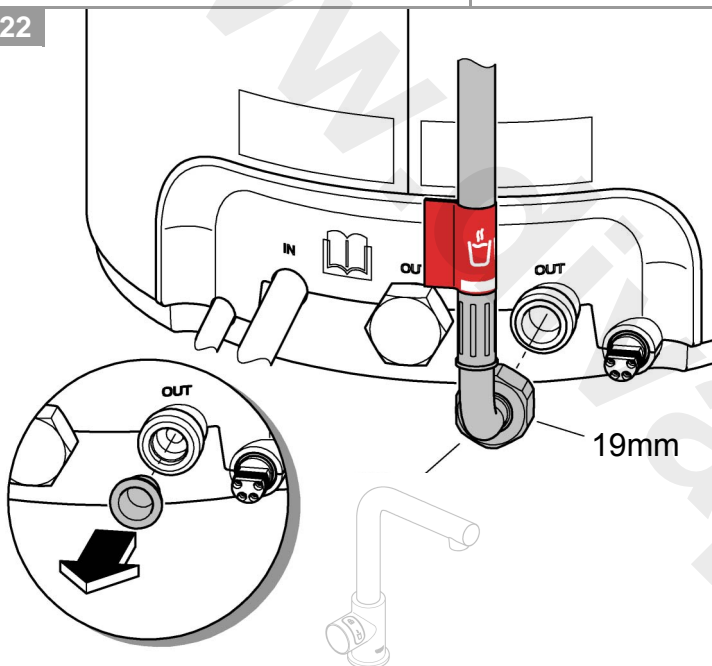
20



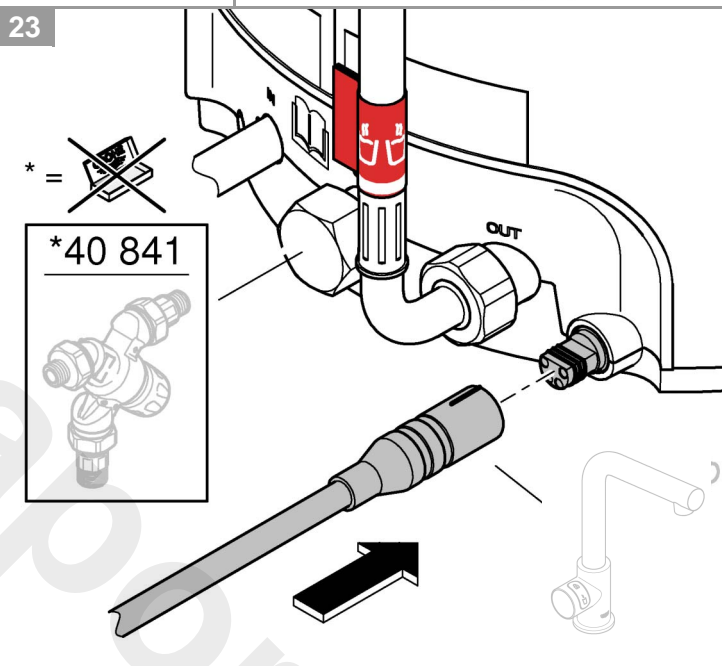
21



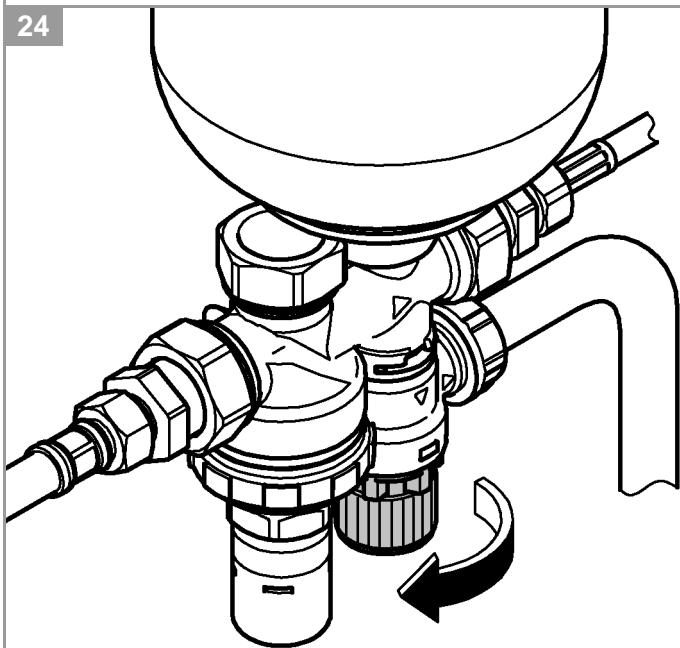
22



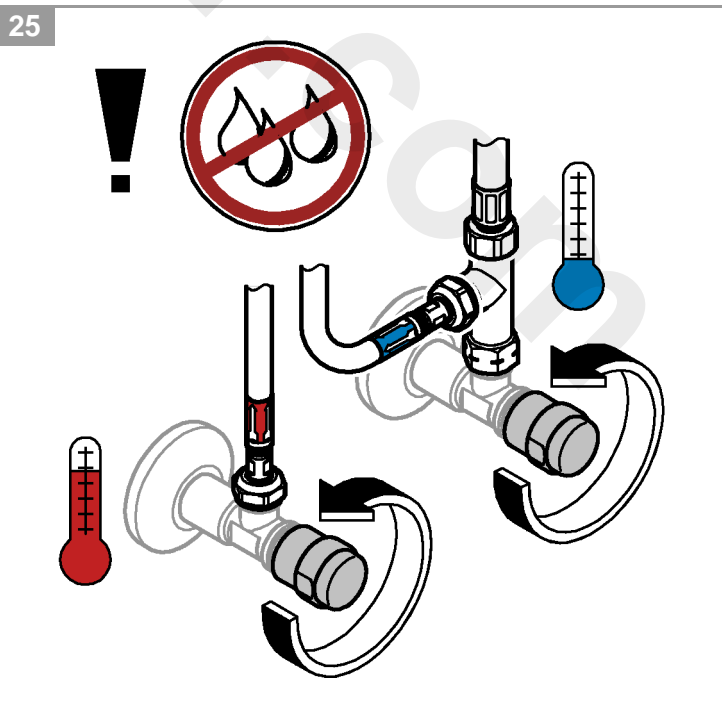
23



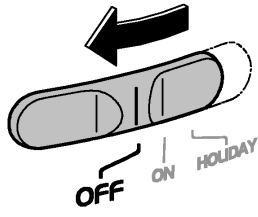
24



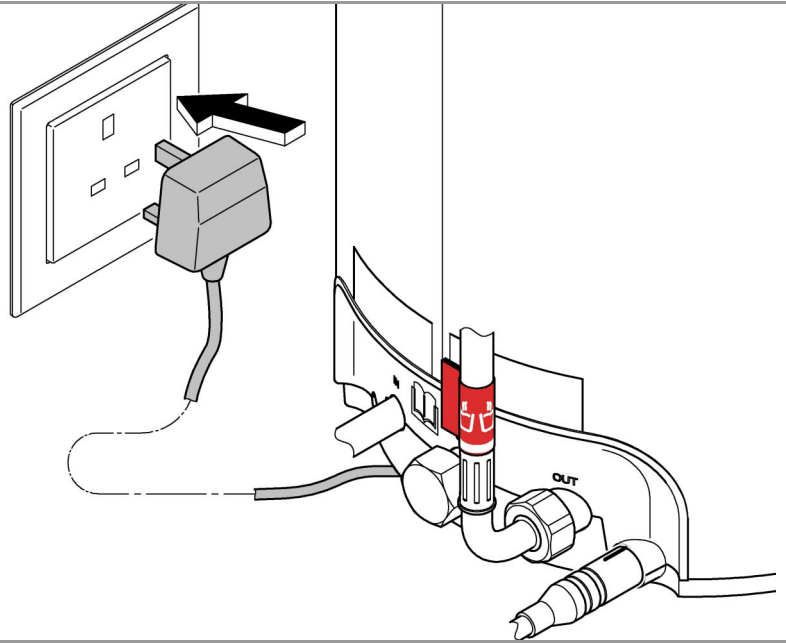
25



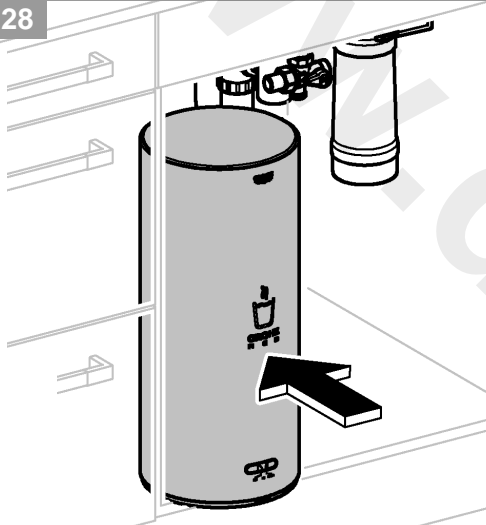
26



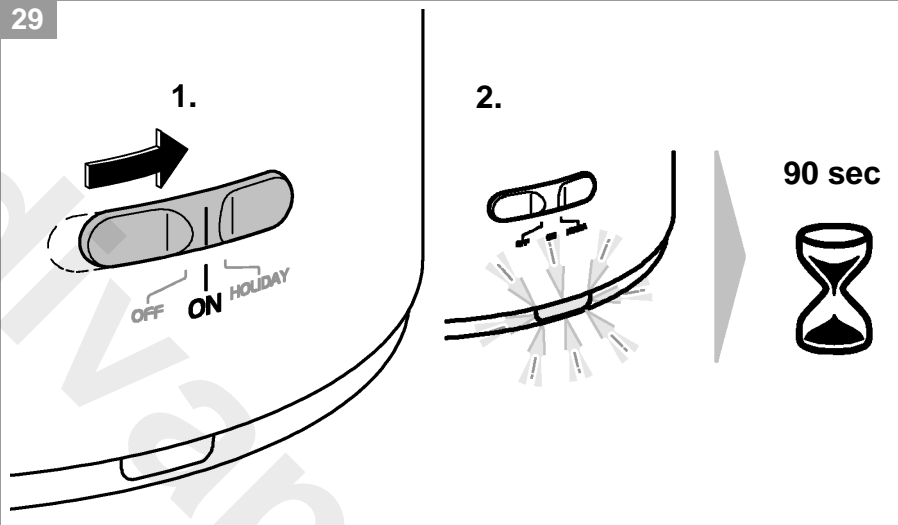
27



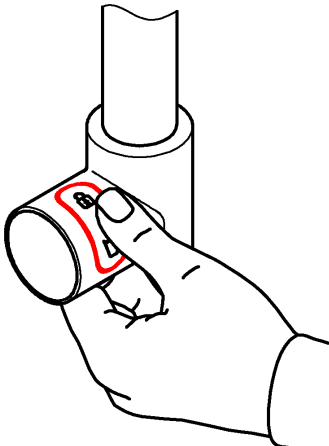
28



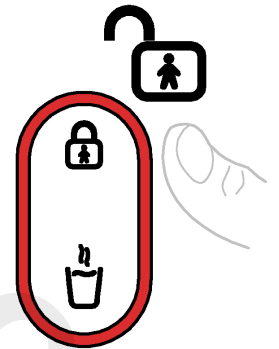
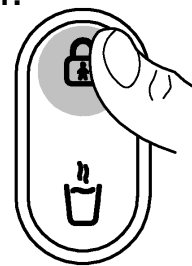
29



30



1.



Press and hold.

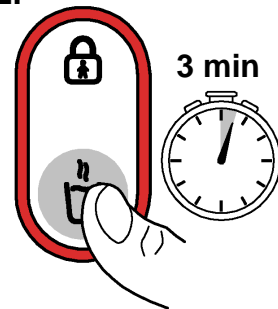


Press repeatedly.



Let go.

2.





°KH	Filter Capacity					
	S-Size	M-Size	L-Size	Ac	UltraSafe	Mg+
	40404001	40430001	40412001	40547001	40575001	40691001
< 7	2000	5000	7600	3000	3000	1600
7 - 9	1600	4000	6500	-	-	1200
10 - 12	1000	2500	4000	-	-	700
13 - 16	800	2000	3200	-	-	500
17 - 20	600	1500	2500	-	-	400
21 - 24	500	1300	2000	-	-	300
25 - 28	400	1000	1500	-	-	200
29 - 32	300	800	1200	-	-	100
> 32	200	650	1000	-	-	

Setting the litre specification.



Press and hold.

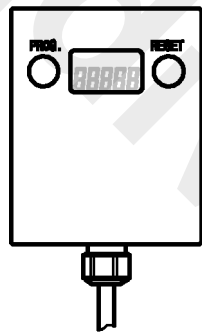
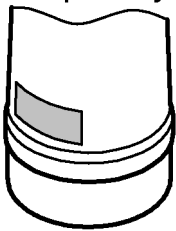


Press repeatedly.

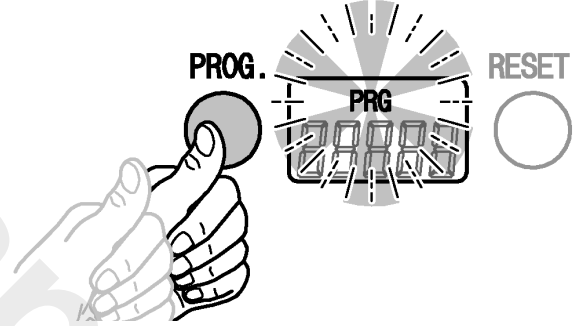


Let go.

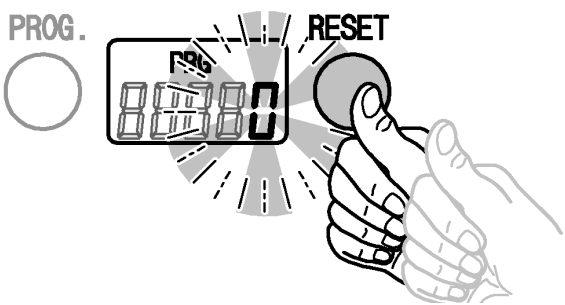
Filter Capacity



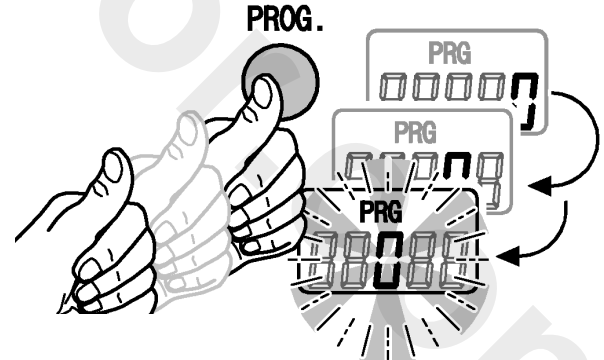
1



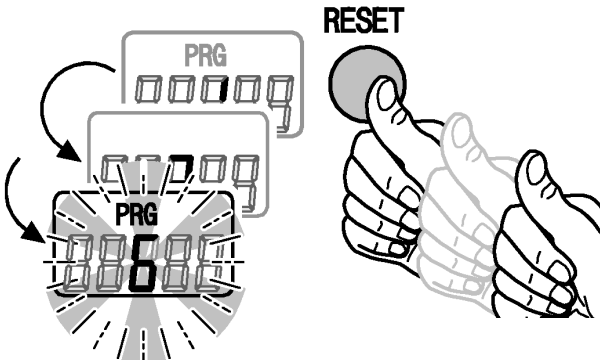
2



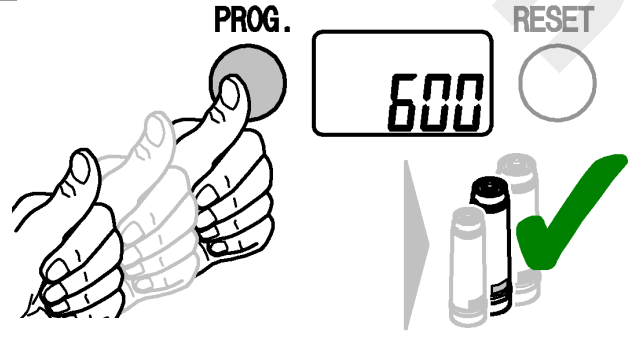
3



4



5





A



1

2

3

6 sec

B



1

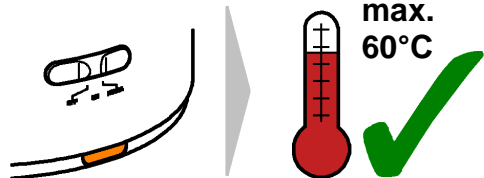
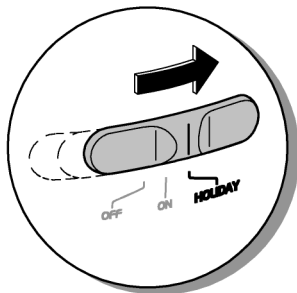
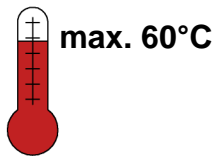
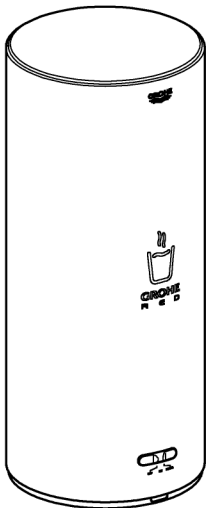
2

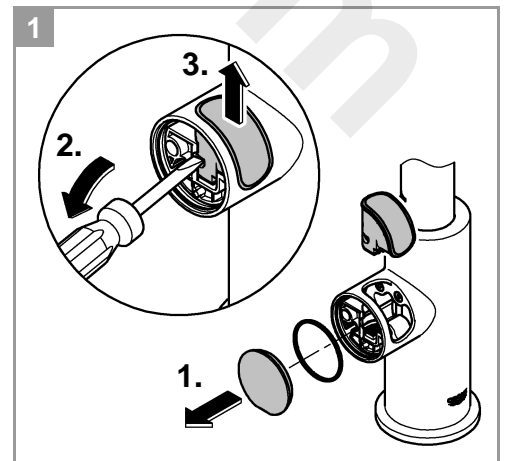
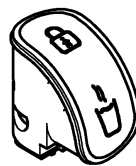
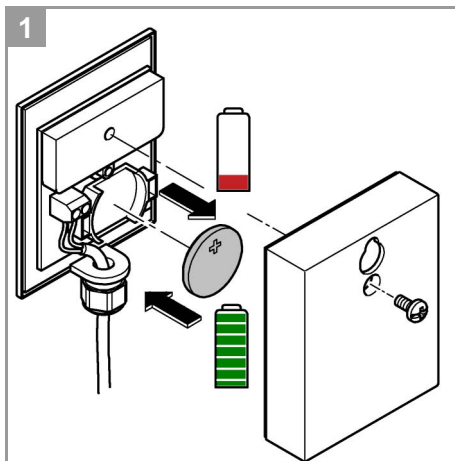
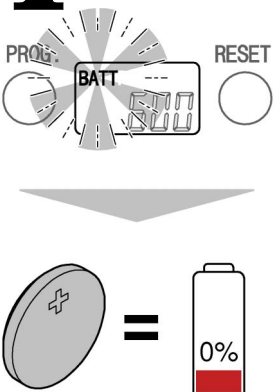
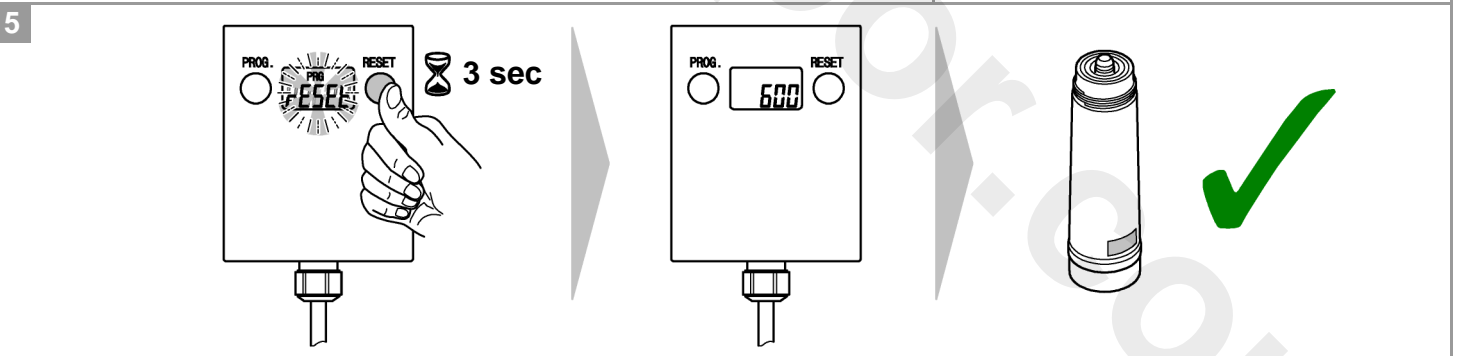
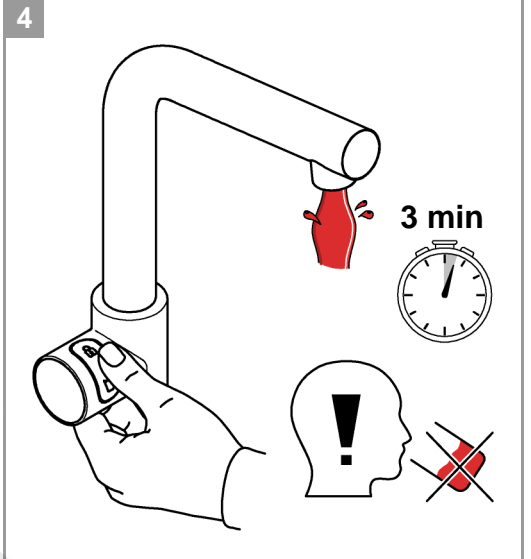
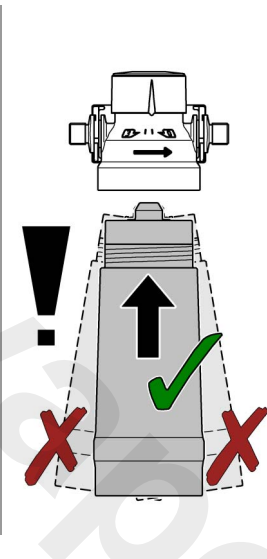
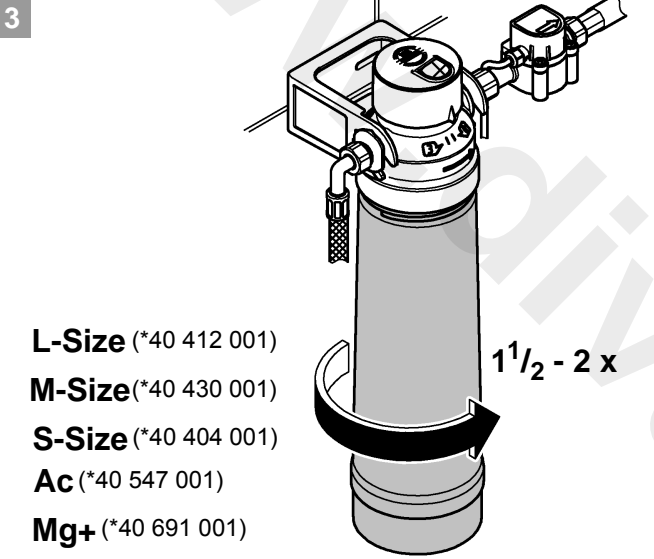
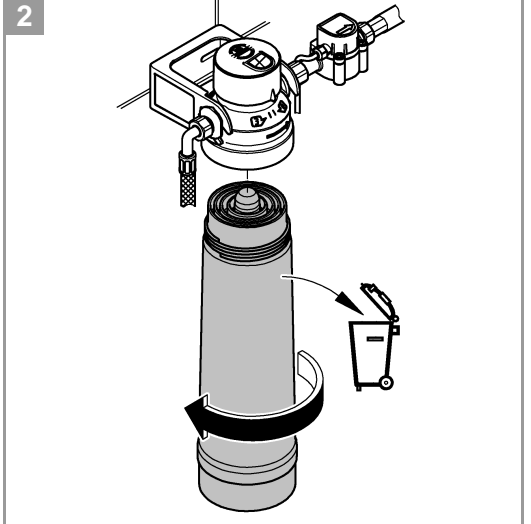
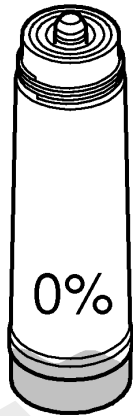
3

1 min

C

HOLIDAY





Safety notes



This device may be used by **children** over 8 years of age, as well as persons with physical, sensory, or mental disabilities or inadequate experience and knowledge, if they are under supervision or were instructed in the safe use of the device and understand the resulting risks.

Children must not play with the device. Cleaning and **user maintenance must not** be carried out by **children** without supervision.

Prevent danger resulting from damaged power supply cables. In the case of damage, the mains cable **must** be replaced by the manufacturer or his customer service department, or an equally qualified person.



Caution, risk of scalding! Escaping water is boiling hot. **Never touch the end of the spout** in order to swivel the spout as it becomes extremely hot.

- The enclosed mains cable and a standard IEC connector box according to IEC 60320-C13 is to be connected exclusively to a hedged with at least 10A and FI protection switch appropriate electrical outlet. The connector must be freely accessible after installation.
- The boiling water storage heater **must** be connected to a permanent power supply.
- Installation of the fitting and boiling water storage heater with filter cartridge **is only permitted** in frost-free rooms.
- The boiling water storage heater is **only** suitable for indoor use.
- The boiling water storage heater **must** be placed in an upright position.
- Place the boiler on a hard, smooth and flat surface.
- Do not place the boiler in a tub or similar.
- During cleaning, do **not** spray the boiling water storage heater or the plug directly or indirectly with water.
- The boiling water storage heater **must not** be opened.
- Use **only genuine replacement parts and accessories**. The use of other parts will result in voiding of the warranty and the CE identification, and could lead to injuries.
- Do not operate a damaged device.
- The filter head **must** be replaced after 5 years by the **GROHE service**.
- Extension cables are **not** permitted between the electrical socket and boiling water storage heater connection.
- The boiling water storage heater **must** be operated with the supplied safety unit.
- The boiling water storage heater may only be operated with a GROHE Red faucet.
- If the operating pressure is not sufficient, the boiling water storage heater must be switched off.
- For transport the boiling water storage heater **must** be drained. For this, the safety unit must be disconnected from the storage heater. **Caution, risk of scalding!** Escaping water is boiling hot.

Technical data boiling water storage heater:

- Connection: Wall socket with earth wire, protected via a 10 A fuse
- Installation high: max. 2000m above sea level
- Voltage supply: 230 V AC / 50 Hz
- Power consumption: 2200 W
- Type of protection: IP X4
- Relative humidity: max. 95%
- Standby power loss (switched on): M: 14 W
L: 15,7 W
- Standby power loss (switched off): 1 W

Sanitary data boiling water storage heater, fitting:

- Boiling water storage heater capacity: M: 4 l
L: 7 l
- Available storage heater volume at 99 °C: M: approx 3 l
L: approx 5.5 l
- Flow pressure:
 - min. 0.1 MPa
 - recommended 0.1 – 0.5 MPa
- Operating pressure: max. 0.2 – 0.8 MPa
- Test pressure: 1.6 MPa
- Flow rate at 0.3 MPa flow pressure
 - Mixed water: approx. 6 l/min
 - Boiling water: approx. 3 l/min
- Ambient temperature: 0 °C – 40 °C
- Boiling water temperature: 99 °C
The actual temperature may differ slightly due to different ambient pressures
- Heating time from 10 °C to 99 °C: M: approx. 20 min
L: approx. 30 min
- Water connection at storage heater: Cold water
- Water connection at fitting: Cold water from service valve
Boiling water from storage heater

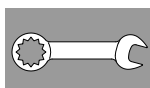
In regions with a carbonate hardness above 10 °KH a filter system with ion exchanger **must** be used (S, M, L or MG+ filter)

The relevant water supplier can provide information on the water hardness.

Thermal disinfection of the fitting is possible.

Signalisations

Status	Storage heater-LED	Fitting-LED
Initialisation	white, permanent	-
Boiler heating up	red, flashing	-
Ready for use	red, permanent	-
Holiday mode cooling down	orange, flashing	-
Holiday mode	orange, permanent	-
Child-lock deactivation process	-	red, flashing
Child-lock deactivated	-	red, permanent
Pot filler deactivation process	-	yellow, flashing
Pot filler	-	yellow, permanent
Error	purple, flashing/permanent	purple, flashing/permanent



Installation and commissioning

Flush pipes thoroughly before and after installation (observe EN 806).

If only a cold water service valve is available you need the mixing device 40 841 001 to generate warm tap water.

Check all connection systems for leakage and retighten if necessary.

Adjust bypass of filterhead according to local carbonate hardness and connect filter cartridge.

The carbonate hardness can be tested by using the enclosed test strip or the relevant water supplier can provide information on the carbonate hardness.

Important note

The volume of water in the storage heater will expand as it is heated. The expansion water must drip out at funnel of safety assembly.

This process is necessary and normal.

Control:

The cooler/carbonator is set for operation with the S-Size filter cartridge (Prod no.: 40 404 001) at the factory.

For operation with other filter cartridges the cooler/carbonator must be switched over, see also page 8.

Button		Display
PROG. 	Briefly press PROG button (PRG flashes)	
RESET 	Briefly press RESET button to access programming for litre specification (00000)	
PROG. 	Keep pressing PROG button until required position is reached (00000 digit flashes)	
RESET 	Keep pressing RESET button until required digit is reached (00600 digit flashes)	
PROG. 	Keep pressing PROG button to exit menu (PRG disappears and set value appears)	



Operation, see page 9.

Unlock the child safety device to get boiling water, see **A**.

Key combination for filling pots with boiling water, see **B**.

To get cold or hot water, see **C**.

Activation of the holiday mode, see **D**.

Note:

In order to prevent incorrect operation and for protection against injury, we recommend affixing the sticker provided.



Maintenance and Cleaning

Important! Risk of damage!

- Always disconnect the power supply before carrying out maintenance work on the system. The plug-in connector can then be disconnected.

In the case of interventions in the mains supply or maintenance work, the GROHE Red boiling system must be bled as steam jets could otherwise occur.

Close the service valve, switch off the storage heater and disconnect the mains plug.

Wait until the storage heater and the fitting have cooled down. Open the lever to depressurise the storage heater.

Inspect and clean all parts, replace as necessary and lubricate with special grease.

Empty the storage heater:

- Wait until the storage heater and the fitting have cooled down
- Open the lever of the fitting and the rotary knob on the safety unit to depressurise the storage heater
- Remove the cap, or the hose to the mixing valve and drain the storage heater via the connecting hose to the safety unit



Service

Fault ?	Cause !	Remedy ✓
Water not flowing Handle flashes once purple	<ul style="list-style-type: none"> Filter not installed correctly Hoses kinked Water supply interrupted 	<ul style="list-style-type: none"> Insert filter straight (1½ - 2 turns) Check hoses for kinks Open fully shut-off valves
Handle is permanently purple	<ul style="list-style-type: none"> System error 	<ul style="list-style-type: none"> Contact GROHE customer service

The GROHE boiling water storage heater may only be repaired by GROHE Service.

The boiling water storage heater is an electrical device, to which return and take-back obligations apply in many countries. GROHE participates in such take-back systems in all relevant countries.

Environment and recycling

For reasons of hygiene, it is not possible to recycle used filter cartridges.

Used filter cartridges can be disposed of hazard-free as residual waste.



This category of device does **not** belong in the domestic waste, but **must** be disposed of separately in accordance with the relevant local national regulations.

Pure Freude an Wasser

GROHE
WAVES

D
& +49 571 3989 333
impressum@grohe.de

A
& +43 1 68060
info-at@grohe.com

AUS
Argent Sydney
& +(02) 8394 5800
Argent Melbourne
& +(03) 9682 1231

B
& +32 16 230660
info.be@grohe.com

BG
& +359 2 9719959
grohe-bulgaria@grohe.com

CAU
& +99 412 497 09 74
info-az@grohe.com

CDN
& +1 888 6447643
info@grohe.ca

CH
& +41 448777300
info@grohe.ch

CN
& +86 21 63758878

CY
& +357 22 465200
info@grome.com

CZ
& +420 277 004 190
grohe-cz@grohe.com

DK
& +45 44 656800
grohe@grohe.dk

E
& +34 93 3368850
grohe@grohe.es

EST
& +372 6616354
grohe@grohe.ee

F
& +33 1 49972900
marketing-fr@grohe.com

FIN
& +358 10 8201100
teknocalor@teknocalor.fi

GB
& +44 871 200 3414
info-uk@grohe.com

GR
& +30 210 2712908
nsapountzis@ath.forthnet.gr

H
& +36 1 2388045
info-hu@grohe.com

HK
& +852 2969 7067
info@grohe.hk

I
& +39 2 959401
info-it@grohe.com

IND
& +91 124 4933000
customercare.in@grohe.com

IS
& +354 515 4000
jonst@byko.is

J
& +81 3 32989730
info@grohe.co.jp

KZ
& +7 727 311 07 39
info-cac@grohe.com

LT
& +372 6616354
grohe@grohe.ee

LV
& +372 6616354
grohe@grohe.ee

MAL
& +1 800 80 6570
info-singapore@grohe.com

N
& +47 22 072070
grohe@grohe.no

NL
& +31 79 3680133
vragen-nl@grohe.com

NZ
& +09/373 4324

P
& +351 234 529620
commercial-pt@grohe.com

PL
& +48 22 5432640
biuro@grohe.com.pl

RI
& +62 21 2358 4751
info-singapore@grohe.com

RO
& +40 21 2125050
info-ro@grohe.com

ROK
& +82 2 559 0790
info-singapore@grohe.com

RP
& +63 2 8041617

RUS
& +7 495 9819510
info@grohe.ru

S
& +46 771 141314
grohe@grohe.se

SGP
& +65 6 7385585
info-singapore@grohe.com

SK
& +420 277 004 190
grohe-cz@grohe.com

T
& +66 2610 3685
info-singapore@grohe.com

TR
& +90 216 441 23 70
GroheTurkey@grome.com

UA
& +38 44 5375273
info-ua@grohe.com

USA
& +1 800 4447643
us-customerservice@grohe.com

VN
& +84 8 5413 6840
info-singapore@grohe.com

AL **BiH** **HR** **KS**
ME **MK** **SLO** **SRB**
& +385 1 2911470
adria-hr@grohe.com

**Eastern Mediterranean,
Middle East - Africa
Area Sales Office:**
& +357 22 465200
info@grome.com

IR **OM** **UAE** **YEM**
& +971 4 3318070
grohedubai@grome.com

Far East Area Sales Office:
& +65 6311 3600
info@grohe.com.sg