

**Metris**

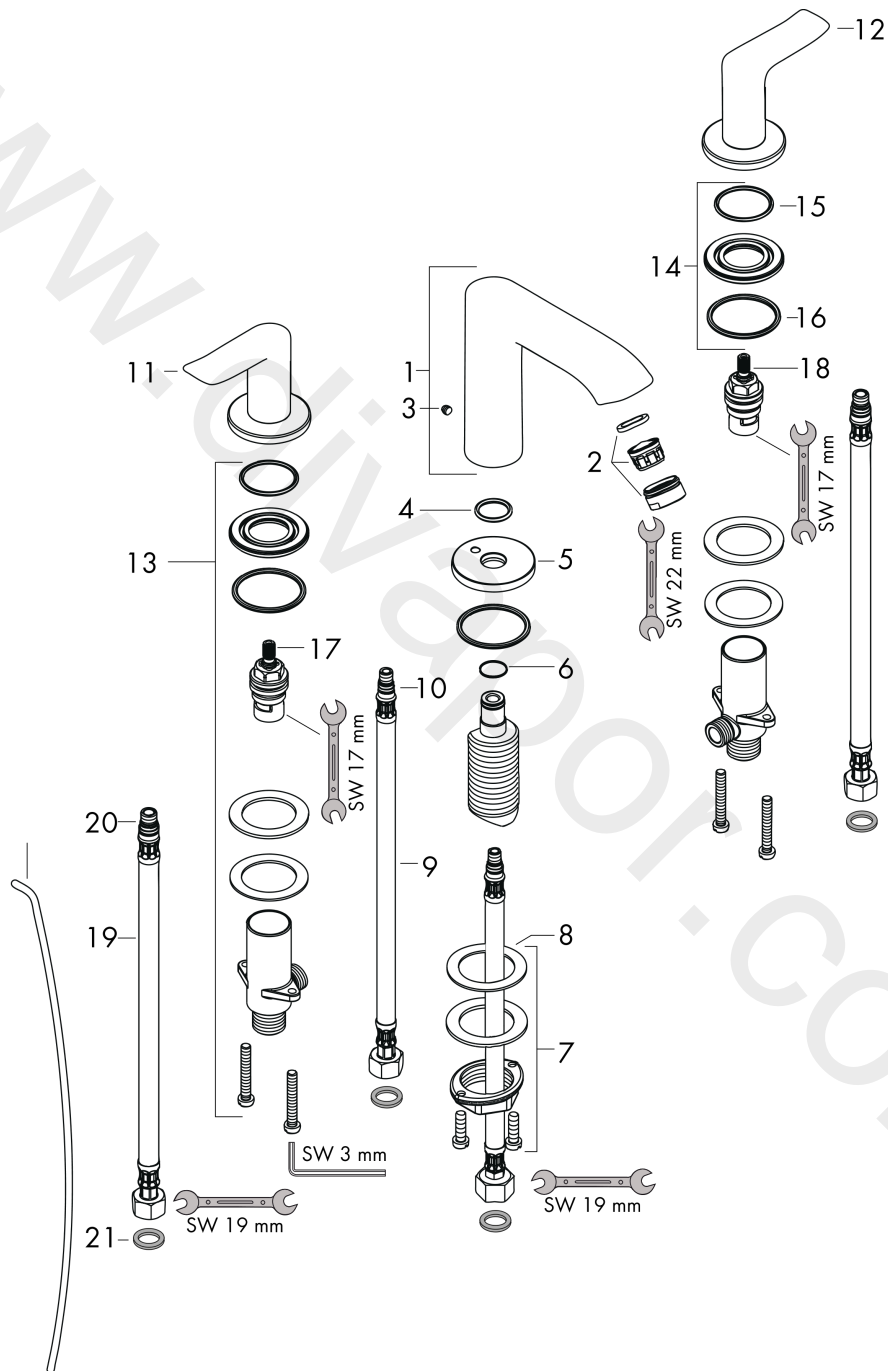
**3-hole basin mixer 100 with pop-up waste set**

Surfaces: Article Number: **31083000**



**Exploded Drawing**

Year of production: **01/11 - 12/20**



## Metris

### 3-hole basin mixer 100 with pop-up waste set

Surfaces: Article Number: **31083000**



## Spare part list

Year of production: 01/11 - 12/20

Pos.	Description	Article Number	Price	PU
1	spout cpl.	95679000	£ 275,00	1
2	aerator M24x1 (5 l/min)	13185000	£ 22,30	1
3	hollow set screw M5x6	94810000	£ 6,10	1
4	O-ring 18x2,5	98139000	£ 3,30	1
5	escutcheon for spout	97505000	£ 64,00	1
6	O-ring 11x2	98127000	£ 3,30	1
7	fixing set (Ø 32)	13961000	£ 25,00	1
8	lever collar	97548000	£ 3,30	1
9	connection hose 450 mm M8x0,75 G3/8	97206000	£ 35,00	1
10	O-ring 7x1,5	98422000	£ 3,30	1
11	handle for hot water	95522000	£ 64,00	1
12	handle for cold water	95523000	£ 64,00	1
13	stop valve cpl.	97357000	£ 137,00	1
14	nut	92854000	£ 20,50	1
15	O-Ring 32x2,5	96364000	£ 25,00	1
16	O-ring 40x3	92634000	£ 3,30	1
17	shut off unit right closing	94009000	£ 43,00	1
18	shut off unit left closing	94008000	£ 43,00	1
19	connection hose 450 mm M10x1 G3/8	96507000	£ 43,00	1
20	O-ring 8x1,75	97827000	£ 3,30	1
21	sealing set	95581000	£ 6,10	1
22	pull rod	96657000	£ 13,30	1
a	pop up waste	94139000	£ 96,00	1
b	fixation extension 35 mm	13898000	£ 79,00	1
c	aerator M24x1 (3,5 l/min)	92508000	£ 20,50	1
d	aerator M24x1 (4,5 l/min)	92877000	£ 20,50	1
e	aerator swivelling M24x1 (5 l/min)	95928000	£ 35,00	1