

## Metris

### Single lever basin mixer 230 with pop-up waste set

Finish: **Chrome** Article Number: **31087007**



#### Description

##### product features

- consists of: single lever basin mixer, waste set
- ComfortZone 230
- projection: 155 mm
- spout height: 230 mm
- handle variant: lever handle
- swivel range 120°
- spray type: normal spray
- maximum flow rate at 3 bar: 5 l/min
- ceramic cartridge
- temperature limitation adjustable
- suitable for continuous flow water heaters
- pop-up waste set G 1¼
- material waste set: metal
- connection type: G ¾ connections
- connection dimension: DN15
- handle position on the side: bottom-side at the base body (not suitable for wash bowls)

#### Technology



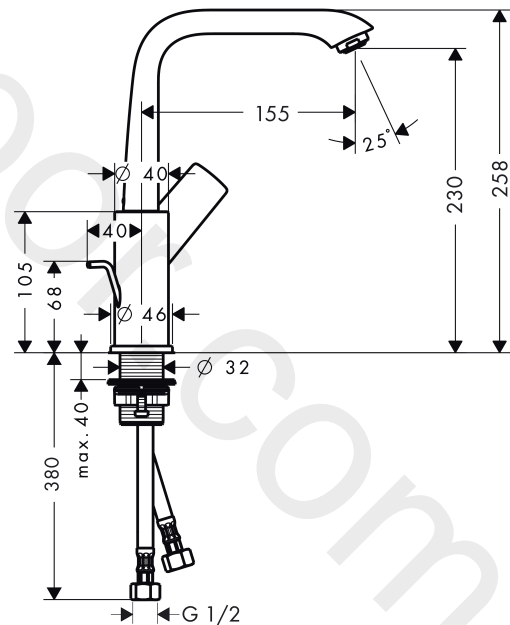
#### Certificates / Sustainability



#### Product image



#### Scale drawing



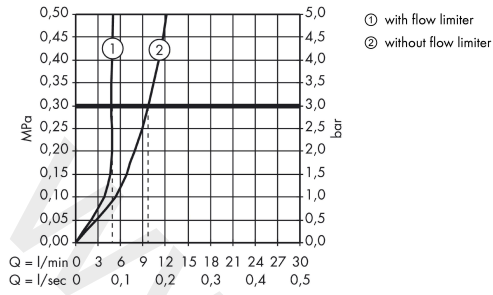
**Metris**

**Single lever basin mixer 230 with pop-up waste set**

Finish: **Chrome** Article Number: **31087007**



**Flowchart**



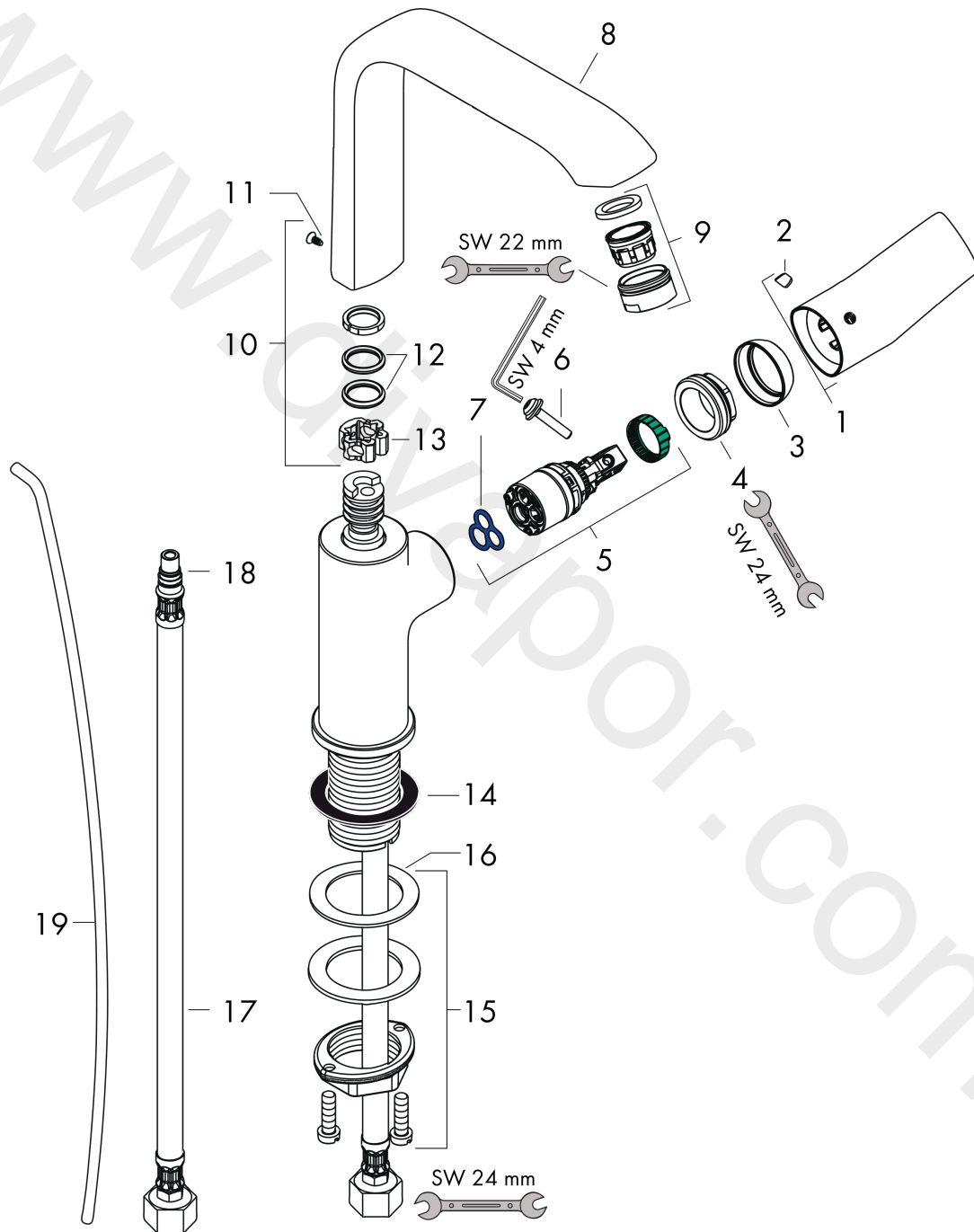
www.divapor.com

**Metris**  
**Single lever basin mixer 230 with pop-up waste set**  
 Finish: **Chrome** Article Number: **31087007**



Exploded Drawing

Year of production: >01/18



## Metris

Single lever basin mixer 230 with pop-up waste set

Finish: **Chrome** Article Number: **31087007**



### Spare part list

Year of production: >01/18

Pos.	Description	Article Number	Price	PU
1	locating ring	95579000	-	1
2	handle	95761000	-	1
3	screw cover	96338000	-	1
4	flange	98863000	-	1
5	nut	95178000	-	1
6	cartridge, assy	97685000	-	1
7	locking screw for handle	95140000	-	1
8	seal	98865000	-	1
9	spout cpl.	95974000	-	1
10	aerator M24x1 (5 l/min)	13185000	-	1
11	sealing set	92646000	-	1
12	screw	97662000	-	1
13	O-Ring 14x2,5	98189000	-	1
14	axialring	97558000	-	1
15	flat seal	98749000	-	1
16	fixing set (Ø 32)	13961000	-	1
17	lever collar	97548000	-	1
18	connection hose 450 mm M8x0,75 G½	97443000	-	1
19	O-ring 6,6x1,6	93019000	-	1
20	pull rod	96657000	-	1
a	pop up waste	94139007	-	1
b	fixation extension 35 mm	13898000	-	1
c	Grease	90920000	-	1