

## Metris

### Single lever basin mixer 100 for handrinse basins with pop-up waste set

Finish: **Chrome** Article Number: **31088000**



#### Description

##### product features

- consists of: single lever basin mixer, waste set
- ComfortZone 100
- projection: 89 mm
- spout height: 93 mm
- handle variant: lever handle
- spray type: normal spray
- maximum flow rate at 3 bar: 5 l/min
- ceramic cartridge
- temperature limitation adjustable
- suitable for continuous flow water heaters
- pop-up waste set G 1¼
- material waste set: metal
- connection type: G ¾ connections
- connection dimension: DN15
- EU taxonomy: max. 6 l/min - Substantial Contribution (SC) possible
- WRAS 2207703
- WRAS 2207703 - Approval letter

#### Article Details

Price excl. VAT

291,67 £

#### Technology



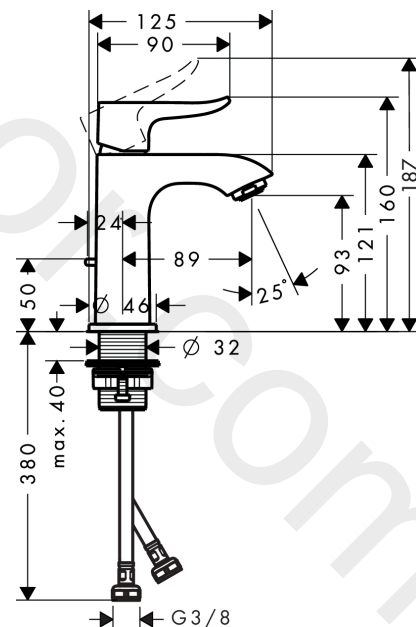
#### Certificates / Sustainability



#### Product image



#### Scale drawing



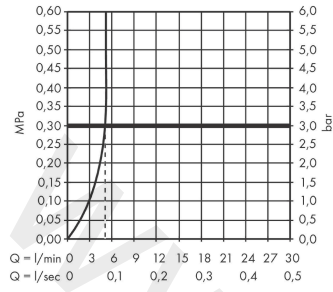
**Metris**

**Single lever basin mixer 100 for handrinse basins with pop-up waste set**

Finish: **Chrome** Article Number: **31088000**



**Flowchart**



**Metris**

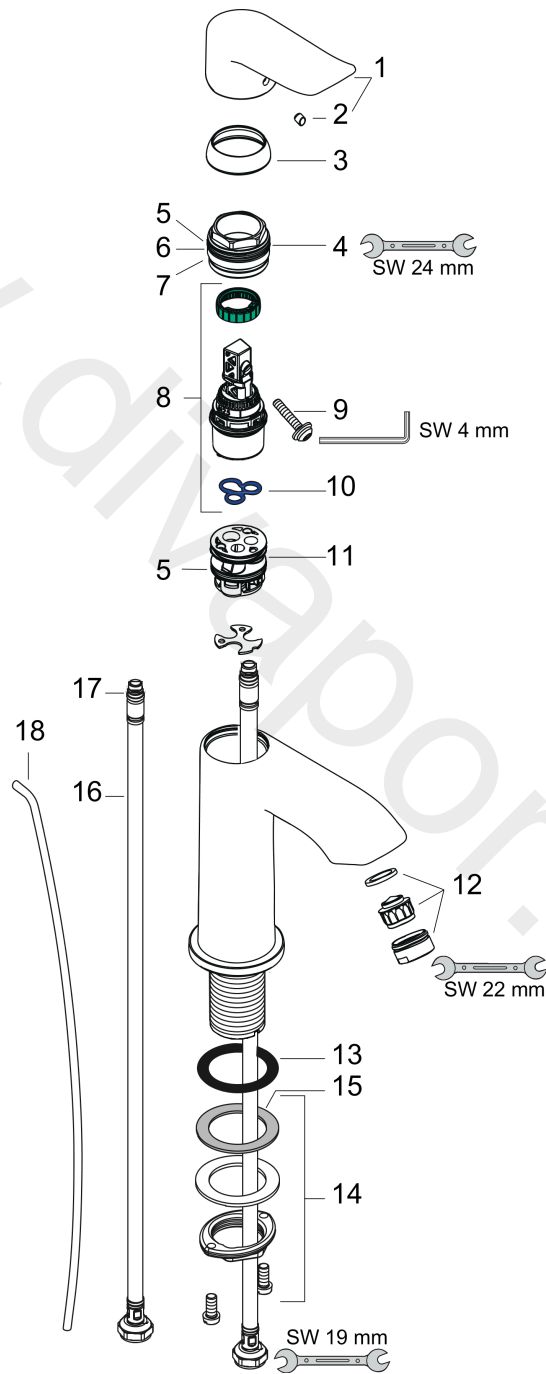
**Single lever basin mixer 100 for handrinse basins with pop-up waste set**

Finish: **Chrome** Article Number: **31088000**



**Exploded Drawing**

Year of production: >04/17



**Metris****Single lever basin mixer 100 for handrinse basins with pop-up waste set**Finish: **Chrome** Article Number: **31088000****Spare part list**

Year of production: &gt;04/17

Pos.	Description	Article Number	Price	PU
1	handle	95520000	£ 43,00	1
2	screw cover	96338000	£ 3,30	1
3	flange	98863000	£ 51,00	1
4	nut	98864000	£ 43,00	1
5	O-ring 23x2	98398000	£ 3,30	1
6	O-ring 25x1,5	98146000	£ 3,30	1
7	O-ring 27x1,5	92527000	£ 13,30	1
8	cartridge, assy	97685000	£ 64,00	1
9	locking screw for handle	95140000	£ 6,10	1
10	seal	98865000	£ 35,00	1
11	adapter for cartridge	98866000	£ 35,00	1
12	aerator M24x1 (5 l/min)	13185000	£ 22,30	1
13	flat seal	98749000	£ 6,10	1
14	fixing set (Ø 32)	13961000	£ 25,00	1
15	lever collar	97548000	£ 3,30	1
16	connection hose 450 mm M8x0,75 G3/8	97206000	£ 35,00	1
17	O-ring 6,6x1,6	93019000	£ 3,30	1
18	pull rod	96657000	£ 13,30	1
a	pop up waste	94139000	£ 96,00	1
b	fixation extension 35 mm	13898000	£ 79,00	1