

Metris S**Electronic basin mixer with temperature control battery operation**Finish: **Chrome** Article Number: **31100000****Description****product features**

- ComfortZone 150
- projection: 128 mm
- spray type: normal spray
- maximum flow rate at 3 bar: 5 l/min
- temperature limitation adjustable
- temperature adjustable via mixer lever on the side
- non-return valve
- suitable for continuous flow water heaters
- infrared sensor technology
- automatic environmental adjustment of infrared sensor
- adjustable optical range of infrared sensor (2 settings)
- battery condition indicator available
- battery operation 6V (lifetime approx. 2 years, battery included in scope of supply)
- running time: 10 s
- hygiene rinse activatable (automatic water flow)
- frequency of hygiene rinse: 24 h
- flushing time hygiene rinse: 10 s
- permanent rinse activatable (single water flow for 180 seconds, suitable for thermal disinfection)
- cleaning mode: manual water stop for washbasin cleaning
- connection dimension: DN15
- TÜV certified
- dirt filters in the connection hoses
- EU taxonomy: max. 6 l/min - Substantial Contribution (SC) possible

Article Details

Price excl. VAT

875,00 £

Technology**Certificates / Sustainability**

Metris S

Electronic basin mixer with temperature control battery operation

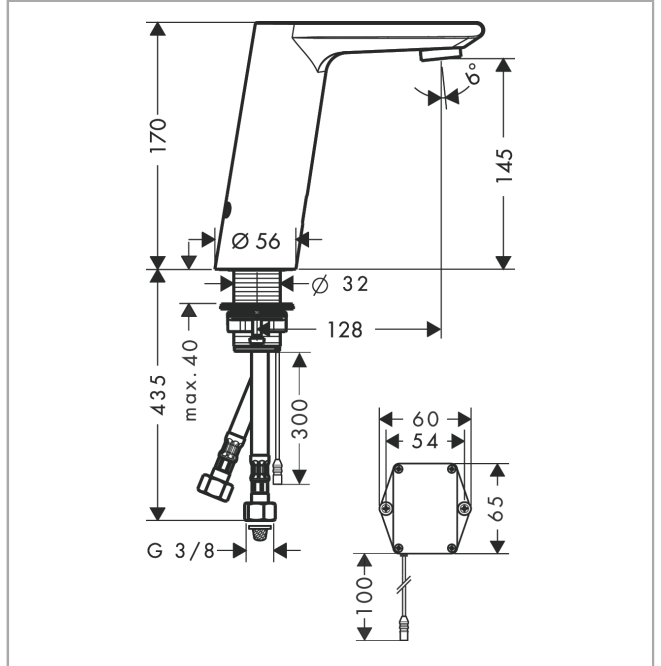
Finish: **Chrome** Article Number: **31100000**



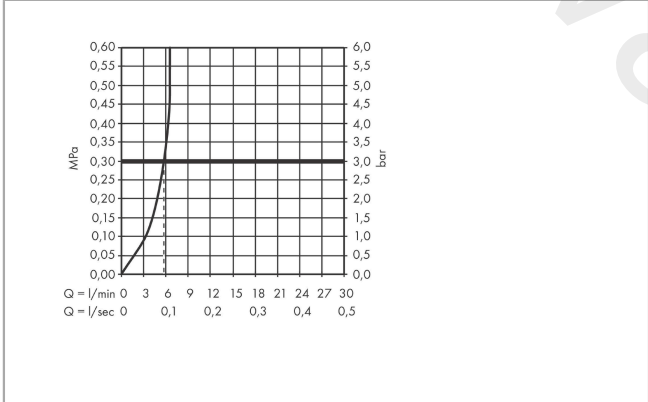
Product image



Scale drawing



Flowchart



Metris S

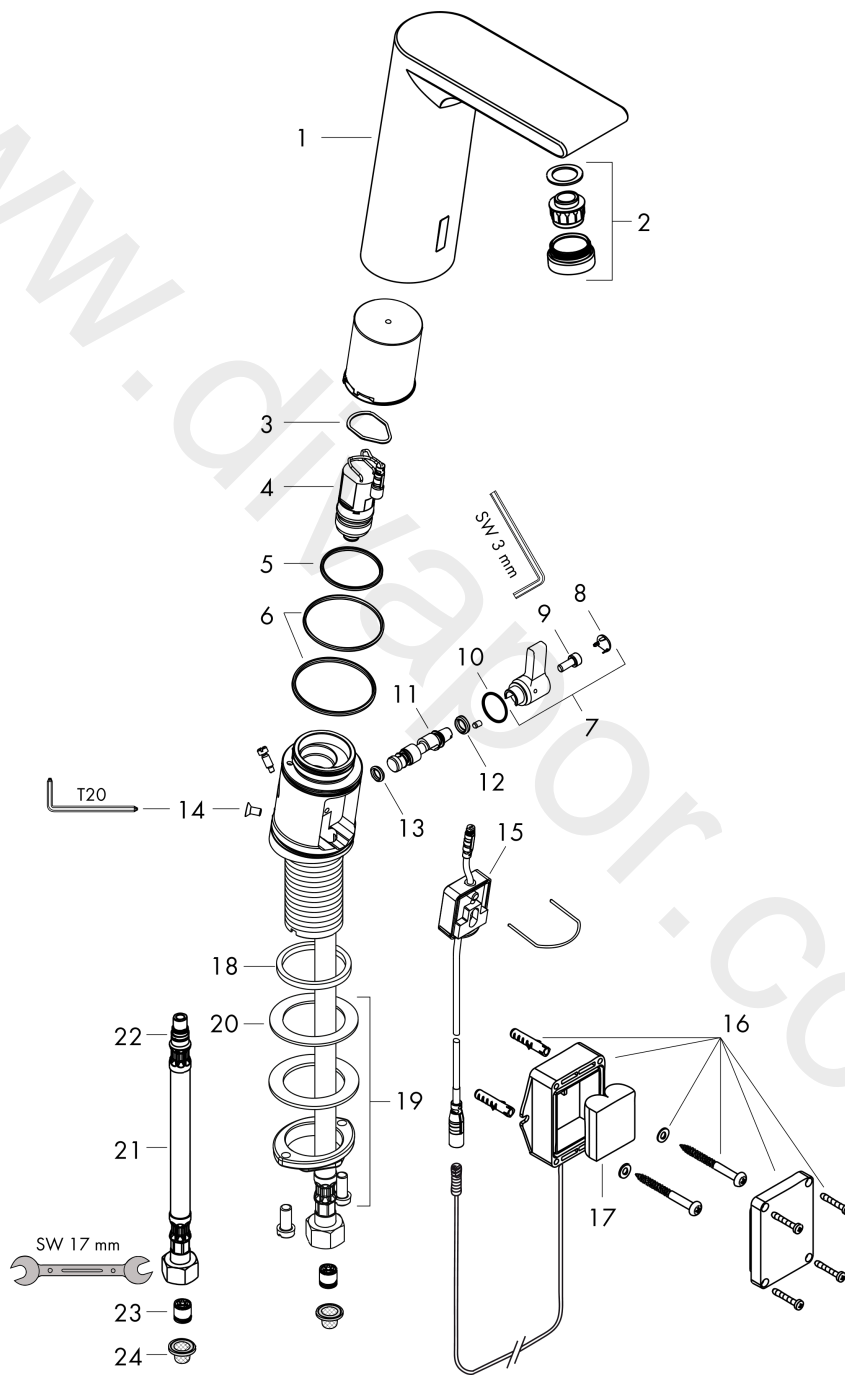
Electronic basin mixer with temperature control battery operation

Finish: **Chrome** Article Number: **31100000**



Exploded Drawing

Year of production: >10/21



Metris S

Electronic basin mixer with temperature control battery operation

Finish: **Chrome** Article Number: **31100000**



Spare part list

Year of production: >10/21

Pos.	Description	Article Number	Price	PU
1	mixer-hood	92307000	£ 445,00	1
2	aerator M24x1 (5 l/min)	98802000	£ 51,00	1
3	O-ring 17x2	98199000	£ 3,30	1
4	solenoid valve	95654000	£ 173,00	1
5	O-ring 31x2	98204000	£ 6,10	1
6	O-ring 41x2	98212000	£ 3,30	1
7	sliding gear lever	92379000	£ 96,00	1
8	cover cap	95433000	£ 6,10	1
9	hexagon socket screw M4x10	97661000	£ 6,10	1
10	O-ring 12x2	98214000	£ 3,30	1
11	mixing shaft	92377000	£ 79,00	1
12	O-ring 6x2	98458000	£ 3,30	1
13	O-ring 5x2	98215000	£ 3,30	1
14	screw	93272000	£ 3,30	1
15	electronics	92346000	£ 173,00	1
16	battery box	98801000	£ 51,00	1
17	battery CR-P2 / 6V lithium	97399000	-	1
18	flat seal	98749000	£ 6,10	1
19	fixing set (Ø 32)	13961000	£ 25,00	1
20	lever collar	97548000	£ 3,30	1
21	connection hose 450 mm M8x0,75 G3/8	95141000	£ 35,00	1
22	O-ring 7x1,5	98422000	£ 3,30	1
23	non return valve DW 10	96456000	£ 9,00	1
24	filter packing	95291000	£ 13,30	1
a	fixation extension 35 mm	13898000	£ 79,00	1
b	O-ring 8x2	98112000	£ 3,30	1
c	O-ring 26x1,5	98390000	£ 3,30	1