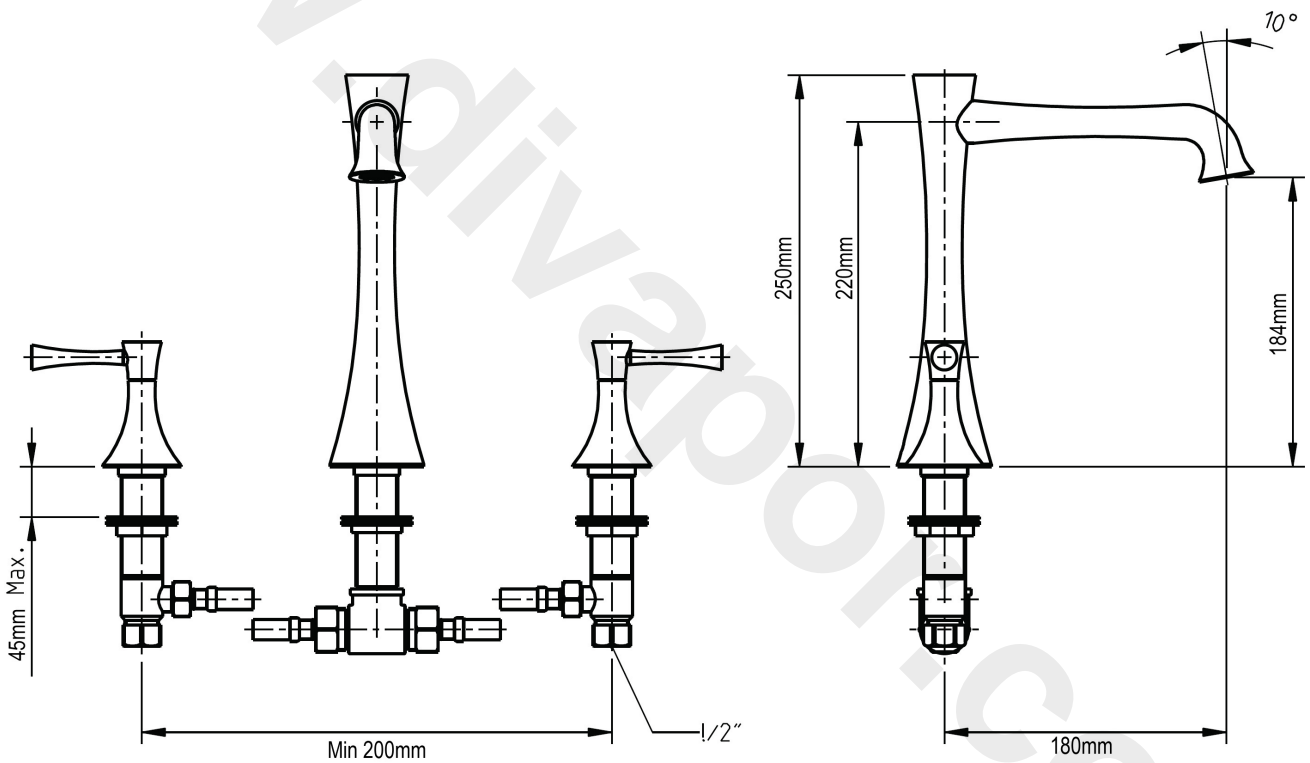


TECHNICAL DRAWING

Brookhaven L Spout

Code: 31450BS



CIFIAL UK LTD
7 Faraday Court, Park Farm Ind Est
Wellingborough, Northants NN8 6XY
Tel: 01933 402008 Fax: 01933 402063
Email: sales@cifial.co.uk
Website: www.cifial.co.uk

CIFIAL



CIFIAL

Part N°	Assignment	Amount
1	Spline extension	2
2	Aerator assembly	1
3	Washer	2
4	Spout	1
5	Lever extension	2
6	Grub screw	2
7	Handle body	2
8	Set screw	1
9	Handle set screw	2
10	Bonnet	2

