

Talis

Single lever basin mixer for exposed installation with extra long handle

Finish: **Chrome** Article Number: **32037000**



Description

product features

- projection: 158.5 - 166 mm
- larger print for greater clarity
- with extra long barrier-free handle
- centre distance: 150 ± 12 mm
- spray type: laminar spray
- maximum flow rate at 3 bar: 5 l/min
- ceramic cartridge
- temperature limitation adjustable
- with noise reduction
- suitable for continuous flow water heaters
- connection type: s-shaped connections
- connection dimension: DN15

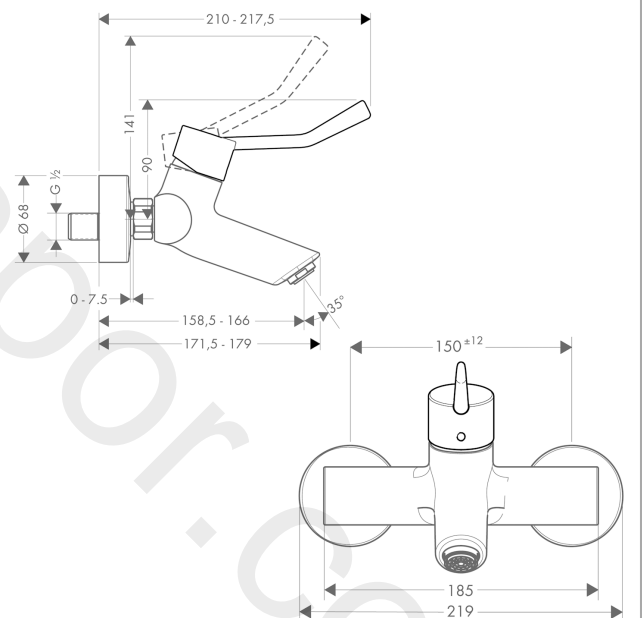
Technology



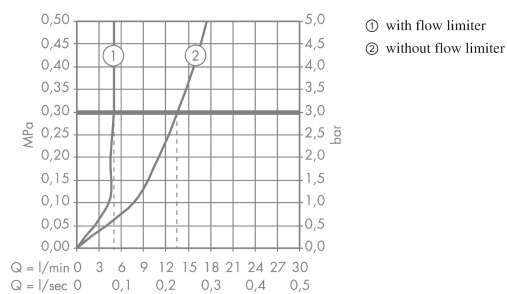
Product image



Scale drawing



Flowchart



Talis

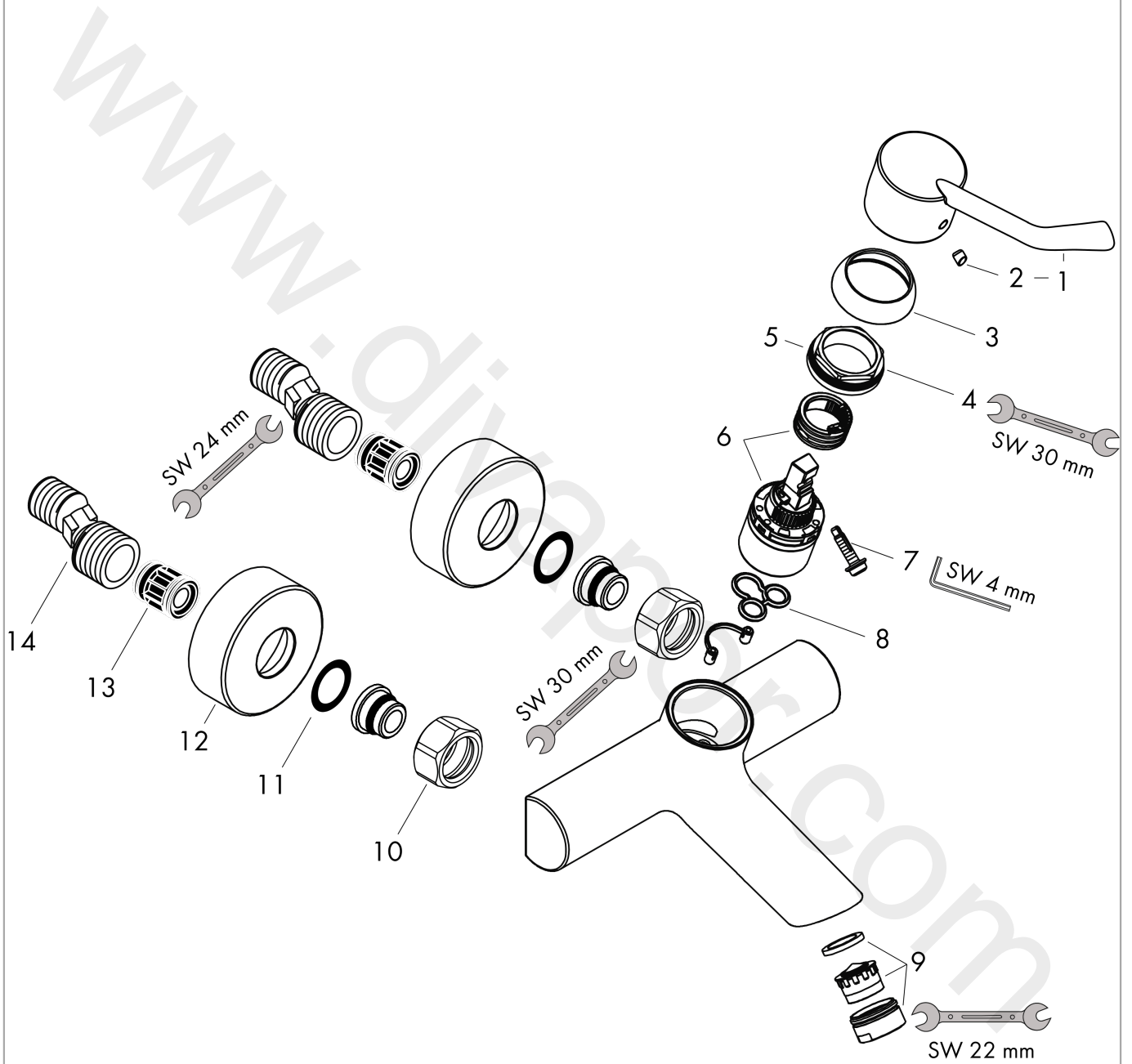
Single lever basin mixer for exposed installation with extra long handle

Finish: **Chrome** Article Number: **32037000**



Exploded Drawing

Year of production: >01/12



Talis

Single lever basin mixer for exposed installation with extra long handle

Finish: **Chrome** Article Number: **32037000**



Spare part list

Year of production: >01/12

Pos.	Description	Article Number	Price	PU
1	handle	95817000	£ 96,00	1
2	screw cover	96338000	£ 3,30	1
3	flange	97406000	£ 20,50	1
4	nut	97209000	£ 16,10	1
5	O-Ring 32x2	98193000	£ 3,30	1
6	cartridge, assy	92730000	£ 35,00	1
7	locking screw for handle	95140000	£ 6,10	1
8	seal	95008000	£ 9,00	1
9	aerator laminar M24x1 (5 l/min)	95987000	£ 20,50	1
10	set of nuts	96157000	£ 35,00	1
11	O-ring 15x2	98163000	£ 3,30	1
12	escutcheon Ø 68 mm	96467000	£ 20,50	1
13	noise reduction	96429000	£ 6,10	1
14	set of S-unions (±12 mm)	94140000	£ 51,00	1
a	set of S-unions (±32 mm)	98592000	£ 43,00	1