

**Metropol**  
**3-hole basin mixer 160 with pop-up waste set**  
 Finish: **Matt White** Article Number: **32517707**



### Description

**product features**

- ComfortZone 160
- projection: 116 mm
- spout height: 159 mm
- handle variant: lever handle
- maximum flow rate at 3 bar: 5 l/min
- ceramic valves hot/cold 90°
- suitable for continuous flow water heaters
- pop-up waste set G 1¼
- material waste set: metal
- connection type: G ½ connections
- connection dimension: DN15

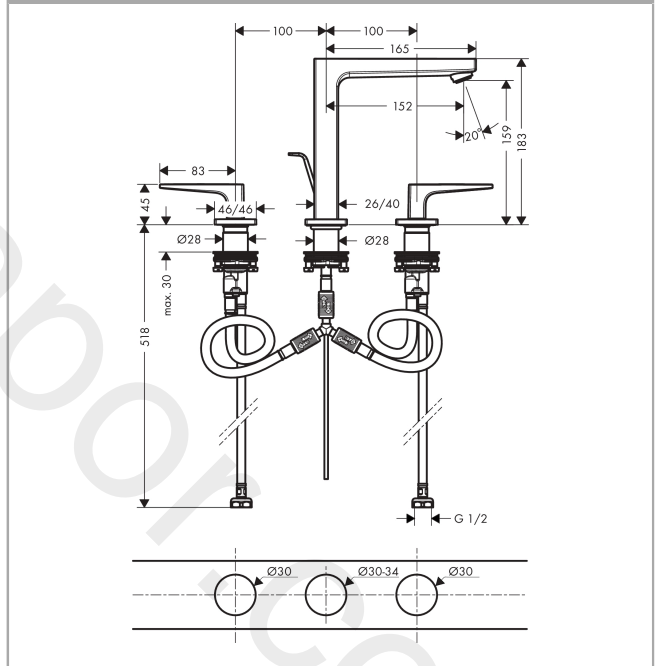
### Technology



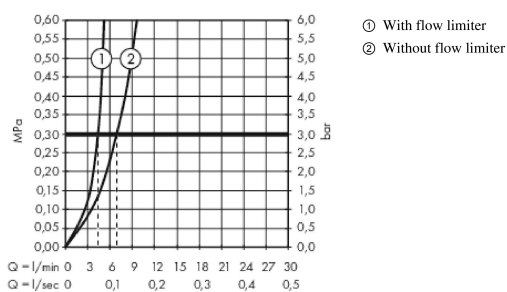
### Product image



### Scale drawing



### Flowchart

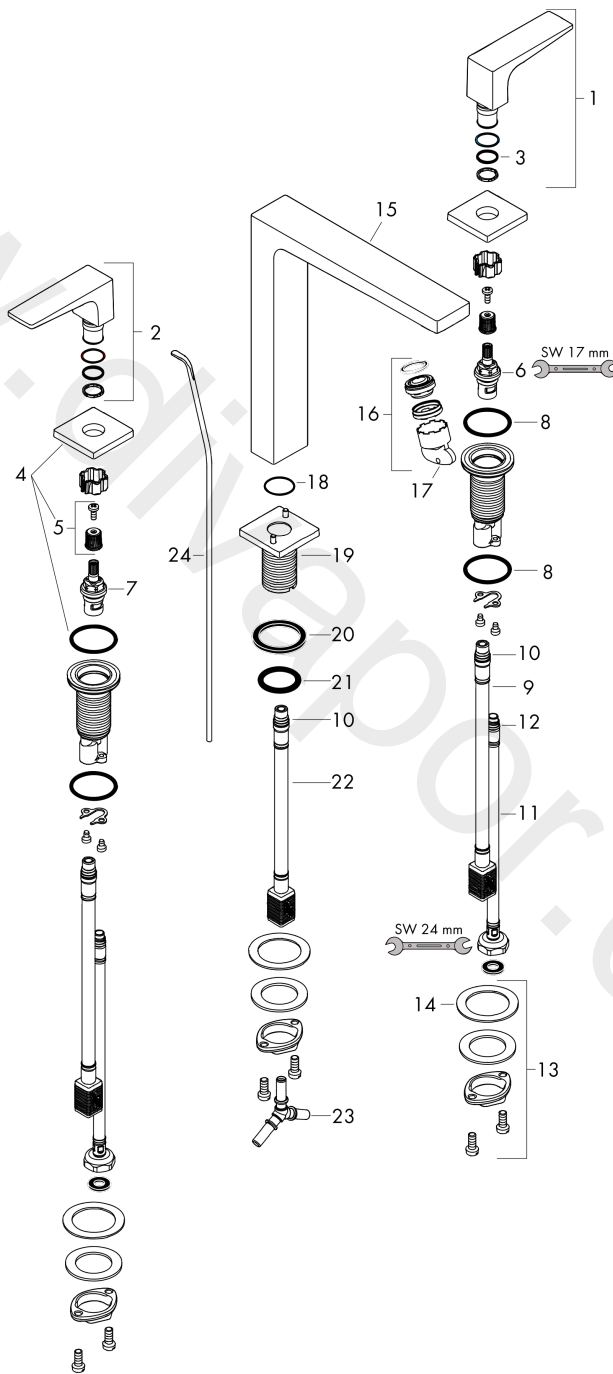


**Metropol**  
**3-hole basin mixer 160 with pop-up waste set**  
 Finish: **Matt White** Article Number: **32517707**



**Exploded Drawing**

Year of production: >08/19



**Metropol****3-hole basin mixer 160 with pop-up waste set**Finish: **Matt White** Article Number: **32517707****Spare part list**

Year of production: &gt;08/19

Pos.	Description	Article Number	Price	PU
1	handle for hot water	92916700	£ 96,00	1
2	handle for cold water	92917700	£ 96,00	1
3	O-Ring 14x1,5	98201000	£ 3,30	1
4	escutcheon	92915700	£ 76,00	1
5	handle fixing set	98932000	£ 16,10	1
6	shut off unit left closing	95366000	£ 43,00	1
7	shut off unit right closing	98817000	£ 35,00	1
8	O-ring 33x2,5	92907000	£ 3,30	1
9	connection hose 400 mm M10x1	92914000	£ 64,00	1
10	O-ring 8x1,75	97827000	£ 3,30	1
11	connection hose 450 mm G½	93020000	£ 35,00	1
12	O-ring 6,6x1,6	93019000	£ 3,30	1
13	fixing set (Ø 28)	92909000	£ 43,00	1
14	lever collar	97548000	£ 3,30	1
15	spout 160 mm	93022700	£ 420,00	1
16	aerator M24x1 (5 l/min)	92996000	£ 35,00	1
17	service tool	95661000	£ 6,10	1
18	O-ring 21x1,5	98219000	£ 3,30	1
19	escutcheon for spout	92906700	£ 142,00	1
20	flat seal	98749000	£ 6,10	1
21	O-ring 26x4	92191000	-	1
22	connection hose 200 mm M10x1	92913000	£ 51,00	1
23	hose connection angel	92905000	£ 43,00	1
24	pull rod	96657700	£ 19,80	1
a	pop up waste	94139007	-	1