

Metropol

Single lever bath mixer for exposed installation with lever handle

Finish: **Matt Black** Article Number: **32540670**



Description

product features

- 2 functions
- projection: 180 mm
- centre distance: 150 ± 12 mm
- spray type mixer: normal spray
- maximum flow rate at 3 bar: 22 l/min
- flow rate for bath spout at 3 bar: 22 l/min
- flow rate of hand shower at 3 bar: 16 l/min
- ceramic cartridge
- temperature limitation adjustable
- diverter with automatic resetting
- protected against backflow, according to DIN EN 1717
- suitable for continuous flow water heaters
- connection dimension: DN15
- connection type: s-shaped connections
- wall-mounted
- min. operating pressure: 1 bar
- max. operating pressure: 10 bar

Article Details

Price excl. VAT

641,70 £

Technology



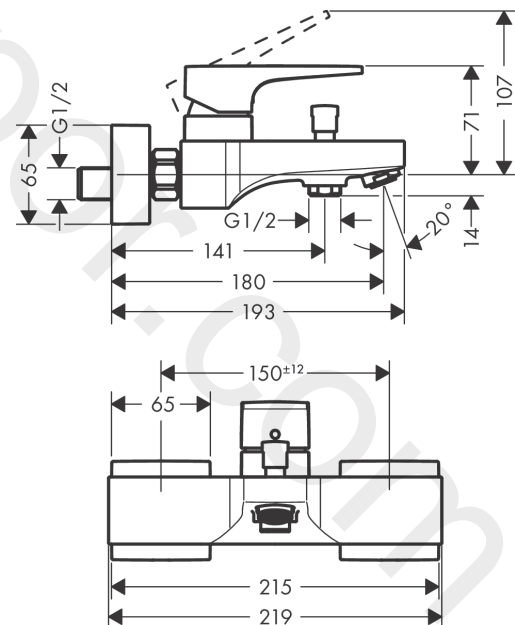
Design awards



Product image



Scale drawing



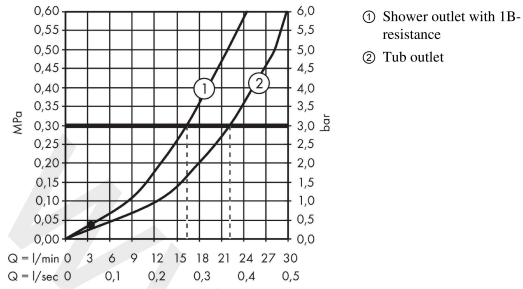
Metropol

Single lever bath mixer for exposed installation with lever handle

Finish: **Matt Black** Article Number: **32540670**



Flowchart



Metropol

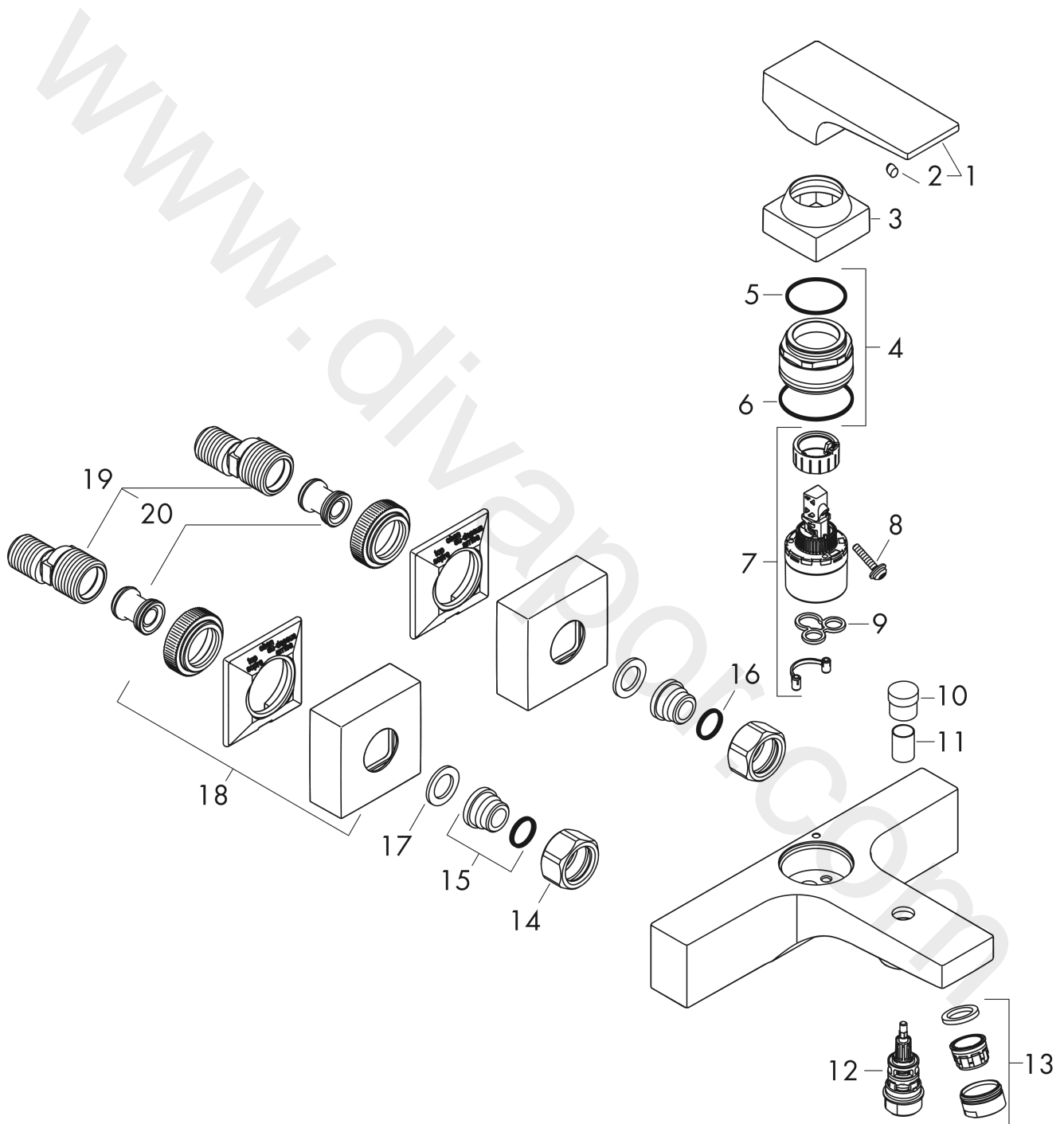
Single lever bath mixer for exposed installation with lever handle

Finish: **Matt Black** Article Number: **32540670**



Exploded Drawing

Year of production: >07/19



Metropol

Single lever bath mixer for exposed installation with lever handle

Finish: **Matt Black** Article Number: **32540670**



Spare part list

Year of production: >07/19

Pos.	Description	Article Number	Price	PU
1	handle	93075670	£ 96,00	1
2	screw cover	96338000	£ 3,30	1
3	flange	93078670	£ 33,00	1
4	nut	93079000	£ 64,00	1
5	O-Ring 30x2	98186000	£ 3,30	1
6	O-ring 33x1,5	98164000	£ 3,30	1
7	cartridge, assy	92730000	£ 35,00	1
8	locking screw for handle	95140000	£ 6,10	1
9	seal	95008000	£ 9,00	1
10	diverter knob	97981670	£ 33,00	1
11	sleeve	97979670	£ 25,00	1
12	selector	97978000	£ 64,00	1
13	aerator M24x1 (30 l/min)	96512670	£ 25,00	1
14	set of nuts	96157670	£ 51,00	1
15	connecting thread	97220000	£ 16,10	1
16	O-ring 15x2	98163000	£ 3,30	1
17	filter packing	96922000	£ 9,00	1
18	escutcheon	93077670	£ 76,00	1
19	set of S-unions (±12 mm)	94140000	£ 51,00	1
20	noise reduction	96429000	£ 6,10	1