

## Metropol

### Single lever shower mixer for exposed installation with lever handle

Finish: **Chrome** Article Number: **32560000**



#### Description

##### product features

- 1 function
- centre distance: 150 ± 12 mm
- maximum flow rate at 3 bar: 16 l/min
- flow rate of hand shower at 3 bar: 16 l/min
- ceramic cartridge
- temperature limitation adjustable
- non-return valve
- with silencer
- hose connection DN15
- connection dimension: DN15
- min. operating pressure: 1 bar
- max. operating pressure: 10 bar
- connection type: s-shaped connections
- WRAS 2304043
- WRAS 2304043 - Approval letter 2304043

#### Article Details

Price excl. VAT

312,50 £

#### Design awards



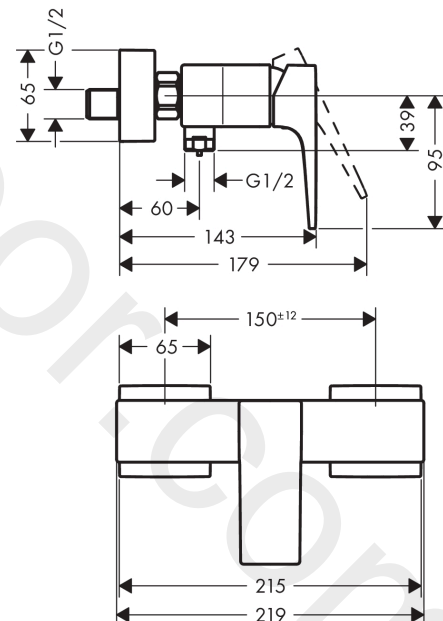
#### Certificates / Sustainability



#### Product image



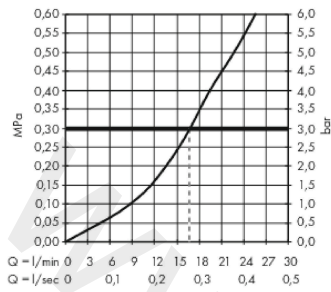
#### Scale drawing



**Metropol**  
**Single lever shower mixer for exposed installation with lever handle**  
 Finish: **Chrome** Article Number: **32560000**



**Flowchart**



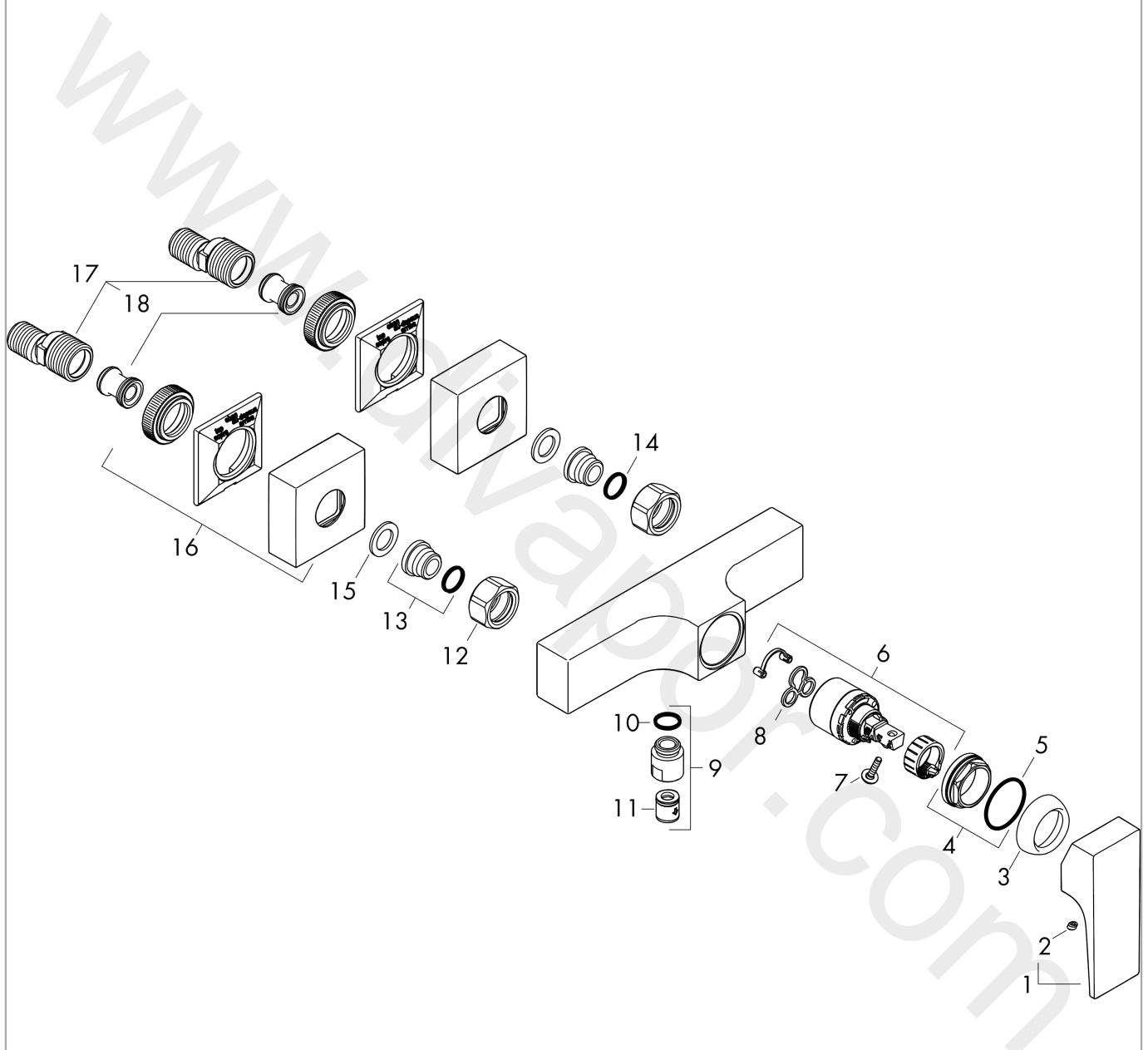
www.divapor.com

**Metropol**  
**Single lever shower mixer for exposed installation with lever handle**  
 Finish: **Chrome** Article Number: **32560000**



**Exploded Drawing**

Year of production: >04/17



## Metropol

Single lever shower mixer for exposed installation with lever handle

Finish: **Chrome** Article Number: **32560000**



### Spare part list

Year of production: >04/17

Pos.	Description	Article Number	Price	PU
1	handle	93075000	£ 64,00	1
2	screw cover	96338000	£ 3,30	1
3	flange	97406000	£ 20,50	1
4	nut	97209000	£ 16,10	1
5	O-Ring 32x2	98193000	£ 3,30	1
6	cartridge, assy	92730000	£ 35,00	1
7	locking screw for handle	95140000	£ 6,10	1
8	seal	95008000	£ 9,00	1
9	Hose Connection	96044000	£ 25,00	1
10	O-ring 14x2	98129000	£ 3,30	1
11	set of non return valves DW 15	94074000	£ 16,10	1
12	set of nuts	96157000	£ 35,00	1
13	connecting thread	97220000	£ 16,10	1
14	O-ring 15x2	98163000	£ 3,30	1
15	filter packing	96922000	£ 9,00	1
16	escutcheon	93077000	£ 51,00	1
17	set of S-unions (±12 mm)	94140000	£ 51,00	1
18	noise reduction	96429000	£ 6,10	1