

Metropol

Single lever shower mixer for exposed installation with lever handle

Finish: **Brushed Black Chrome** Article Number: **32560340**



Description

product features

- 1 function
- centre distance: 150 ± 12 mm
- maximum flow rate at 3 bar: 16 l/min
- flow rate of hand shower at 3 bar: 16 l/min
- ceramic cartridge
- temperature limitation adjustable
- non-return valve
- with silencer
- hose connection DN15
- connection dimension: DN15
- min. operating pressure: 1 bar
- max. operating pressure: 10 bar
- connection type: s-shaped connections
- WRAS 2304043
- WRAS 2304043 - Approval letter 2304043

Article Details

Price excl. VAT

468,80 £

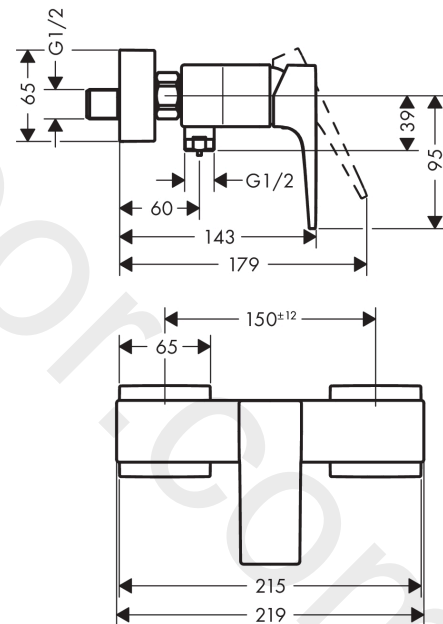
Design awards



Product image



Scale drawing



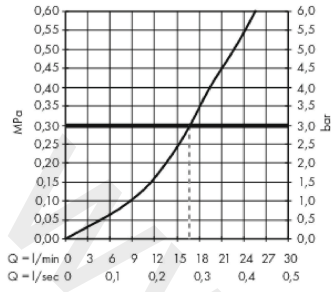
Metropol

Single lever shower mixer for exposed installation with lever handle

Finish: **Brushed Black Chrome** Article Number: **32560340**



Flowchart



Q - l/min 0 3 6 9 12 15 18 21 24 27 30
 Q - l/sec 0 0,1 0,2 0,3 0,4 0,5

www.divapor.com

Metropol

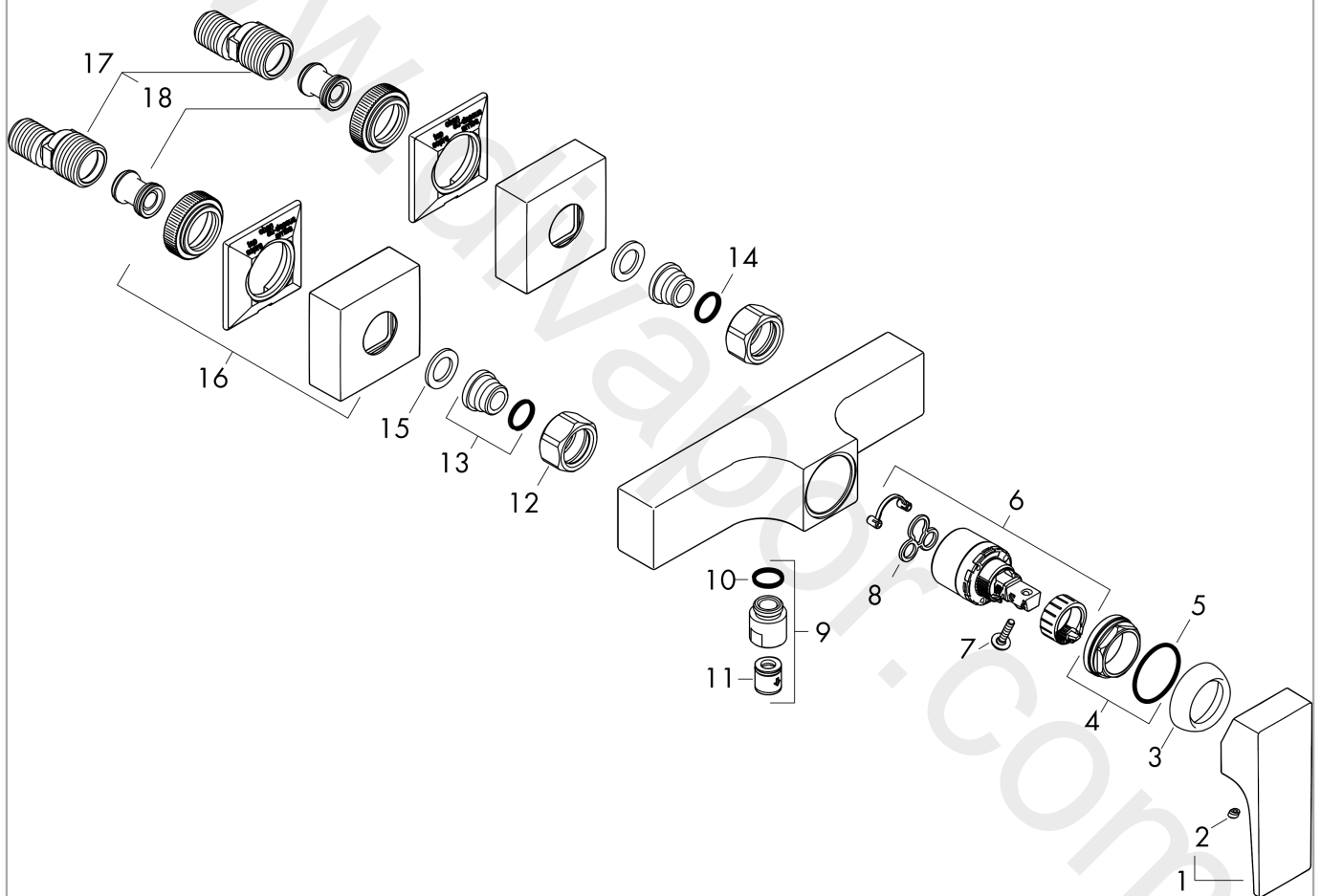
Single lever shower mixer for exposed installation with lever handle

Finish: **Brushed Black Chrome** Article Number: **32560340**



Exploded Drawing

Year of production: >07/19



Metropol

Single lever shower mixer for exposed installation with lever handle

Finish: **Brushed Black Chrome** Article Number: **32560340**



Spare part list

Year of production: >07/19

Pos.	Description	Article Number	Price	PU
1	handle	93075340	£ 96,00	1
2	screw cover	96338000	£ 3,30	1
3	flange	97406340	-	1
4	nut	97209000	£ 16,10	1
5	O-Ring 32x2	98193000	£ 3,30	1
6	cartridge, assy	92730000	£ 35,00	1
7	locking screw for handle	95140000	£ 6,10	1
8	seal	95008000	£ 9,00	1
9	Hose Connection	96044340	-	1
10	O-ring 14x2	98129000	£ 3,30	1
11	set of non return valves DW 15	94074000	£ 16,10	1
12	set of nuts	96157340	£ 51,00	1
13	connecting thread	97220000	£ 16,10	1
14	O-ring 15x2	98163000	£ 3,30	1
15	filter packing	96922000	£ 9,00	1
16	escutcheon	93077340	£ 76,00	1
17	set of S-unions (±12 mm)	94140000	£ 51,00	1
18	noise reduction	96429000	£ 6,10	1