

Metropol

Single lever basin mixer 110 with lever handle and push-open waste set 2 ticks

Finish: **Matt Black** Article Number: **32584679**



Description

product features

- consists of: single lever basin mixer, waste set
- ComfortZone 110
- projection: 135 mm
- spout height: 108 mm
- handle variant: lever handle
- spray type: normal spray
- maximum flow rate at 3 bar: 3,8 l/min
- ceramic cartridge
- temperature limitation adjustable
- push-open waste set G 1¼
- material waste set: metal
- connection type: G ½ connections
- connection dimension: DN15

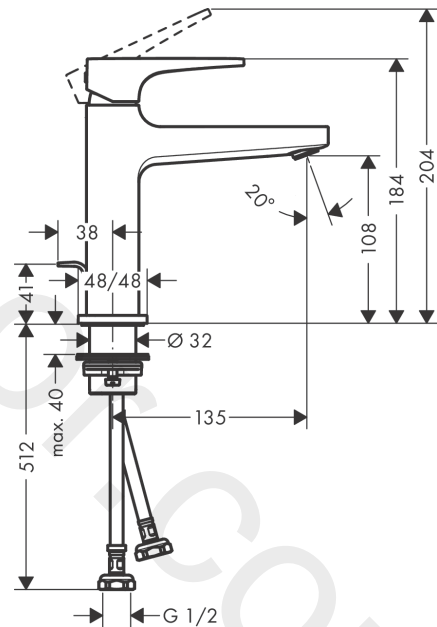
Technology



Product image



Scale drawing



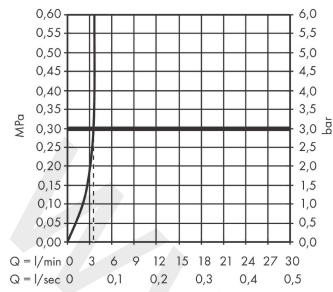
Metropol

Single lever basin mixer 110 with lever handle and push-open waste set 2 ticks

Finish: **Matt Black** Article Number: **32584679**



Flowchart



Metropol

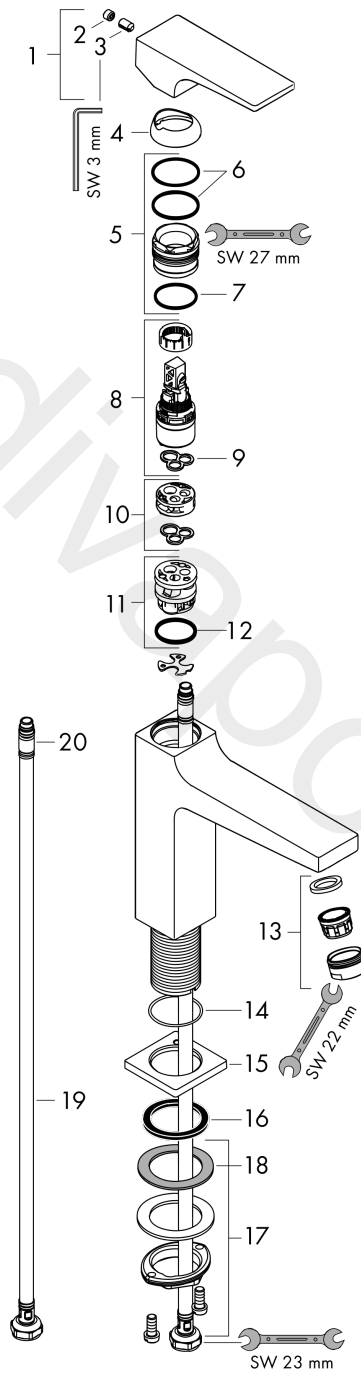
Single lever basin mixer 110 with lever handle and push-open waste set 2 ticks

Finish: **Matt Black** Article Number: **32584679**



Exploded Drawing

Year of production: >04/20



Metropol**Single lever basin mixer 110 with lever handle and push-open waste set 2 ticks**Finish: **Matt Black** Article Number: **32584679****Spare part list**

Year of production: >04/20

| Pos. | Description | Article Number | Price | PU |
|------|--------------------------------|----------------|----------|----|
| 1 | handle | 92995670 | £ 118,00 | 1 |
| 2 | screw cover | 95704000 | £ 3,30 | 1 |
| 3 | hollow set screw M6x10 DIN 916 | 96029000 | £ 3,30 | 1 |
| 4 | flange | 92625670 | £ 51,00 | 1 |
| 5 | nut | 92689000 | £ 25,00 | 1 |
| 6 | O-ring 27x1,5 | 92527000 | £ 13,30 | 1 |
| 7 | O-ring 25x1,5 | 98146000 | £ 3,30 | 1 |
| 8 | cartridge, assy | 95973000 | £ 79,00 | 1 |
| 9 | seal | 98865000 | £ 35,00 | 1 |
| 10 | adapter for cartridge | 92628000 | £ 20,50 | 1 |
| 11 | adapter for cartridge | 98866000 | £ 35,00 | 1 |
| 12 | O-ring 23x2 | 98398000 | £ 3,30 | 1 |
| 13 | aerator M24x1 | 98453670 | £ 33,00 | 1 |
| 14 | O-ring 32x1,5 | 92936000 | £ 3,30 | 1 |
| 15 | escutcheon | 93048670 | £ 64,00 | 1 |
| 16 | flat seal | 98749000 | £ 6,10 | 1 |
| 17 | fixing set (Ø 32) | 13961000 | £ 25,00 | 1 |
| 18 | lever collar | 97548000 | £ 3,30 | 1 |
| 19 | connection hose 450 mm G½ | 93020000 | £ 35,00 | 1 |
| 20 | O-ring 6,6x1,6 | 93019000 | £ 3,30 | 1 |
| a | push-open waste set | 50100670 | £ 109,20 | 1 |
| b | fixation extension 35 mm | 13898000 | £ 79,00 | 1 |