

Metropol

3-hole basin mixer 160 with lever handles and push-open waste set 2 ticks

Finish: **Chrome** Article Number: **32589009**



Description

product features

- consists of: 3-hole basin mixer, waste set
- ComfortZone 160
- projection: 152 mm
- spout height: 164 mm
- handle variant: lever handle
- maximum flow rate at 3 bar: 3,8 l/min
- ceramic valves hot/cold 90°
- push-open waste set G 1¼
- material waste set: metal
- connection type: G ½ connections
- connection dimension: DN15

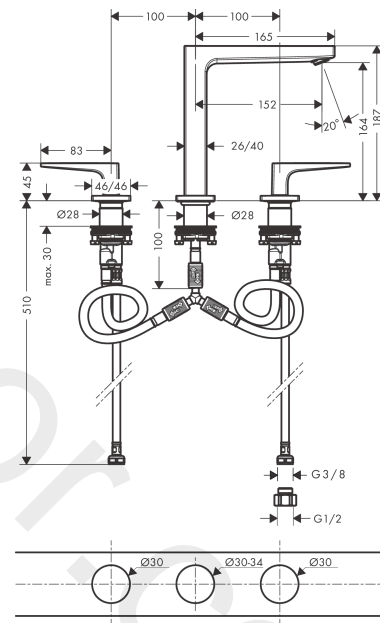
Technology



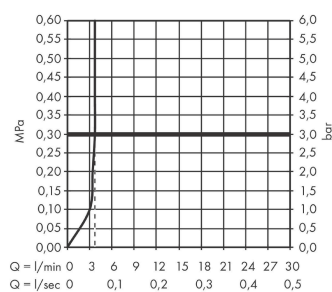
Product image



Scale drawing



Flowchart

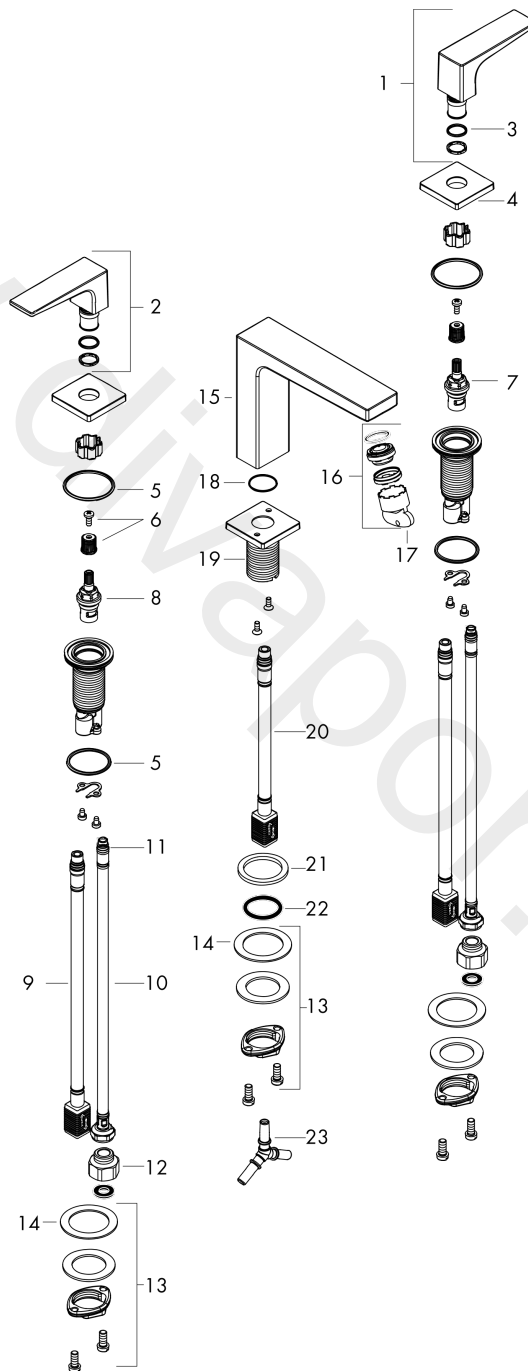


Metropol
3-hole basin mixer 160 with lever handles and push-open waste set 2 ticks
 Finish: **Chrome** Article Number: **32589009**



Exploded Drawing

Year of production: >04/20



Metropol

3-hole basin mixer 160 with lever handles and push-open waste set 2 ticks

Finish: **Chrome** Article Number: **32589009**



Spare part list

Year of production: >04/20

Pos.	Description	Article Number	Price	PU
1	handle for cold water	92917000	£ 64,00	1
2	handle for hot water	92916000	£ 64,00	1
3	O-Ring 14x1,5	98201000	£ 3,30	1
4	escutcheon	92915000	£ 51,00	1
5	O-ring 33x2,5	92907000	£ 3,30	1
6	handle fixing set	98932000	£ 16,10	1
7	shut off unit left closing	95366000	£ 43,00	1
8	shut off unit right closing	98817000	£ 35,00	1
9	connection hose 400 mm M10x1	92914000	£ 64,00	1
10	connection hose 450 mm M8x0,75 G3/8	97206000	£ 35,00	1
11	O-ring 6,6x1,6	93019000	£ 3,30	1
12	set of adapters	93395000	£ 25,00	1
13	fixing set (Ø 28)	92909000	£ 43,00	1
14	lever collar	97548000	£ 3,30	1
15	spout 160 mm	93158000	£ 445,00	1
16	aerator M24x1 (4,5 l/min)	93202000	-	1
17	service tool	95661000	£ 6,10	1
18	O-ring 21x1,5	98219000	£ 3,30	1
19	escutcheon for spout	92906000	£ 96,00	1
20	connection hose 200 mm M10x1	92913000	£ 51,00	1
21	flat seal	98749000	£ 6,10	1
22	O-ring 26x4	92191000	-	1
23	hose connection angel	92905000	£ 43,00	1
a	push-open waste set	50100000	£ 78,00	1