

33 501 782

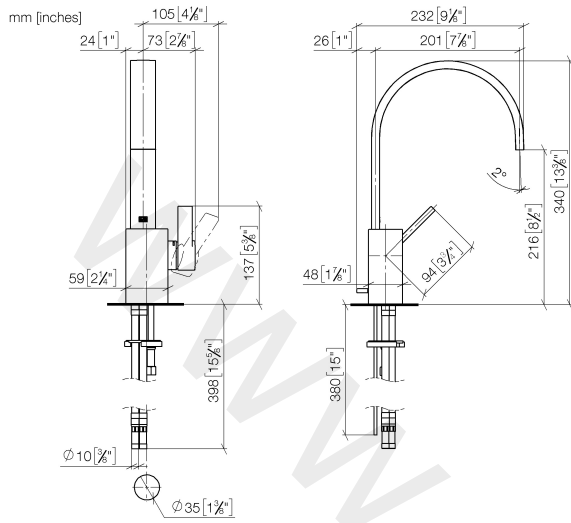


- 200 mm projection
- US pop-up waste (only used in the USA)
- fixed spout
- rectangular, air-enriched flow
- height of mixer 340 mm
- height up to aerator 216 mm
- hole diameter 35 mm
- 2x screw-in M 10 x 1 pressure hose, leak-tested
- 2x US pressure hose, 3/8"
- max. flow 5.7 l/min
- lead-free
- WRAS: 1804056

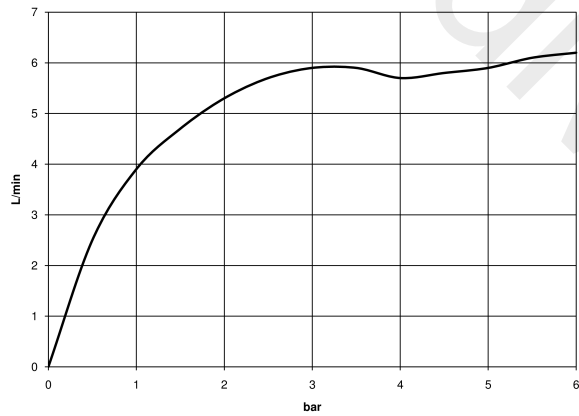
Only suitable for basins with an overflow.

	Brushed Dark Platinum	33 501 782-99
	Chrome	33 501 782-00
	Brushed Platinum	33 501 782-06
	Platinum	33 501 782-08
	Dark Chrome	33 501 782-19
	Brushed Durabronze (23kt Gold)	33 501 782-28
	Brushed Champagne (22kt Gold)	33 501 782-46
	Champagne (22kt Gold)	33 501 782-47

33 501 782

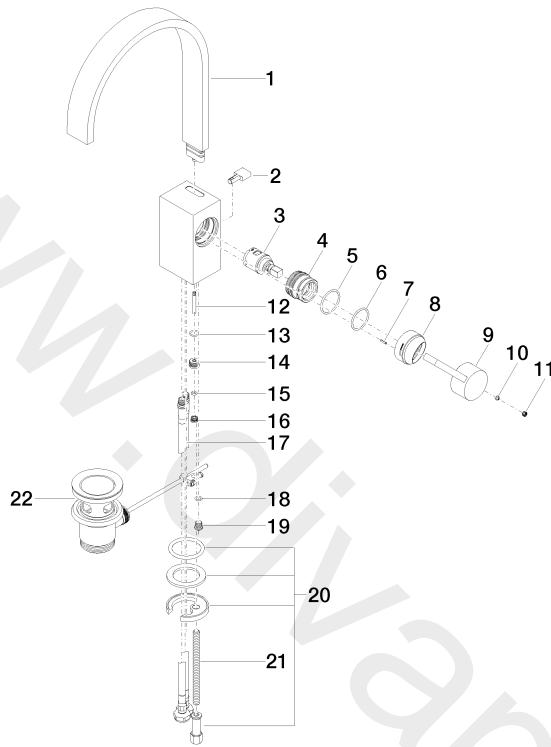


Flow rate chart



33 501 782

Parts for other
finishes can be found
here: [Chrome](#)



33 501 782

Spare parts list

No.	Item Number	Name	Quantity used	Delivery time
1	90 28 22 152 01-99	spout	1	30
2	09 20 78 032-99	handle	1	30
3	90 15 05 042 00 90	cartridge	1	2
4	09 24 04 288 90	nut	1	2
5	09 14 10 137 90	seal	1	2
6	09 14 10 063 90	seal	1	2
7	09 31 11 152 90	pin	1	2
8	09 28 30 028-99	cover	1	30
9	09 20 78 057-99	handle	1	30
10	09 31 11 063 90	pin	1	2
11	09 31 20 109 90	plug	1	2
12	09 31 09 080-99	pull-rod	1	30
13	09 14 10 042 90	seal	1	2
14	09 24 04 289-99	nipple	1	30
15	09 14 10 166 90	seal	1	2
16	09 24 04 290 90	nipple	1	2
17	04 30 04 104 00 90	hose	2	2
18	09 14 10 132 90	seal	1	2
19	09 31 20 027 10-00	plug	1	10
20	04 30 11 038 75 90	fixing set	1	2
21	09 31 11 012 90	pin	1	2
22	04 11 01 001 00-99	pop-up waste	1	30