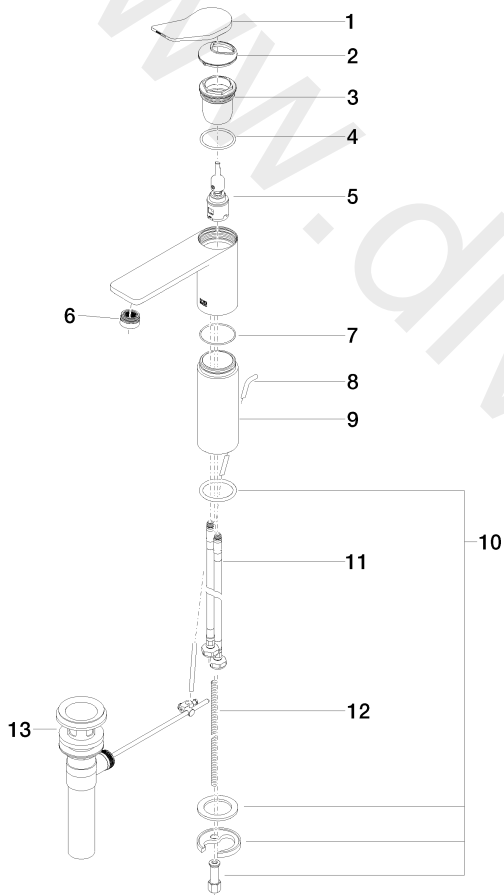


Sink - LISSÉ

Single-lever lavatory mixer with extended shank with drain - Chrome

Article number: 33 506 845-00 0010

Date of manufacture from 5/1/2021





## Sink - LISSÉ

Single-lever lavatory mixer with extended shank with drain - Chrome

Article number: 33 506 845-00 0010

Date of manufacture from 5/1/2021

### Spare parts list

| Position | Number of units | Item Number        | Spare part               | Lead time |
|----------|-----------------|--------------------|--------------------------|-----------|
| 1        | 1               | 90 20 84 020 00-00 | handle                   | 10        |
| 2        | 1               | 09 28 30 034 90    | cover                    | 2         |
| 3        | 1               | 09 23 10 123 90    | nut                      | 2         |
| 4        | 1               | 09 14 10 038 90    | seal                     | 2         |
| 5        | 1               | 90 15 05 042 01 90 | cartridge                | 2         |
| 6        | 1               | 90 23 01 161 03-00 | aerator                  | 10        |
| 7        | 1               | 09 14 10 108 90    | seal                     | 2         |
| 8        | 1               | 09 31 09 120-00    | pull-rod                 | 10        |
| 9        | 1               | 09 28 22 305-00    | sleeve                   | 10        |
| 10       | 1               | 04 30 11 038 75 90 | fixing set               | 2         |
| 11       | 2               | 04 30 04 103 00 90 | hose                     | 2         |
| 12       | 1               | 09 31 11 000 90    | pin                      | 2         |
| 13       | 1               | 04 11 01 023 00-00 | Drain US 1 1/4" - Chrome | 2         |