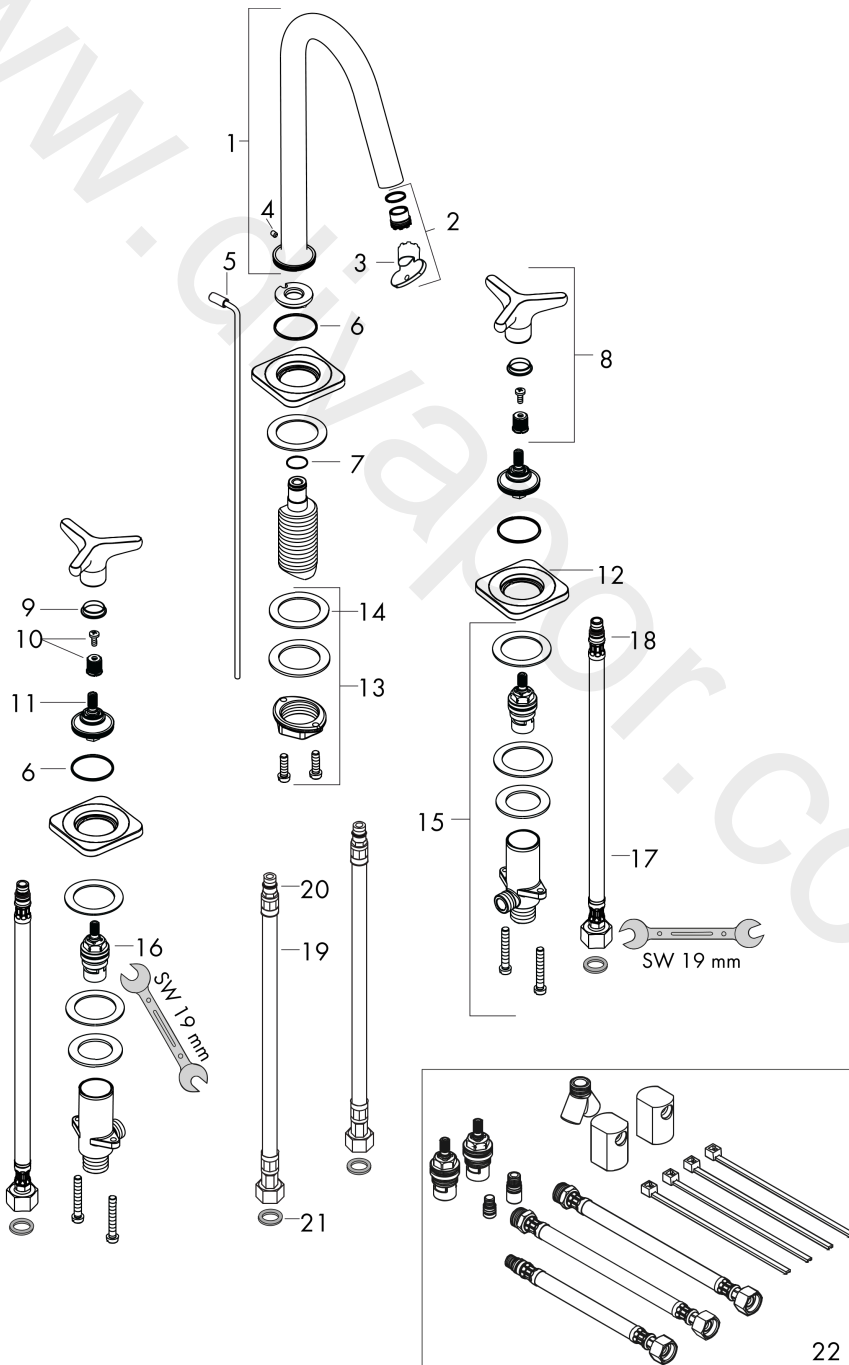


AXOR Citterio M
3-hole basin mixer 160 with star handles, escutcheons and pop-up waste set
 Surfaces: Article Number: **34135000**



Exploded Drawing

Year of production: **06/11 - 12/19**



AXOR Citterio M

3-hole basin mixer 160 with star handles, escutcheons and pop-up waste set

Surfaces: Article Number: **34135000**



Spare part list

Year of production: **06/11 - 12/19**

Pos.		Article Number	Price	PU
1	spout cpl.	98928000	£ 445,00	1
2	aerator cpl.	93118000	£ 25,00	1
3	special tool	98987000	£ 9,00	1
4	hollow set screw M4x5	92846000	£ 13,30	1
5	pull rod	95701000	£ 43,00	1
6	O-ring 30x1,5	98433000	£ 3,30	1
7	O-ring 11x2	98127000	£ 3,30	1
8	handle	95864000	£ 79,00	1
9	set of color-rings cold / hot water	98927000	£ 20,50	1
10	handle fixing set	98932000	£ 16,10	1
11	nut	98929000	£ 64,00	1
12	escutcheon	98930000	£ 64,00	1
13	fixing set (Ø 32)	13961000	£ 25,00	1
14	lever collar	97548000	£ 3,30	1
15	stop valve cpl.	97357000	£ 137,00	1
16	shut off unit	94149000	£ 35,00	1
17	connection hose 450 mm M10x1 G3/8	96507000	£ 43,00	1
18	O-ring 8x1,75	97827000	£ 3,30	1
19	connection hose 450 mm M8x0,75 G3/8	97206000	£ 35,00	1
20	O-ring 7x1,5	98422000	£ 3,30	1
21	sealing set	95581000	£ 6,10	1
22	Hose extension set for 3-Hole Basin Mixer	38959000	£ 147,00	1
a	pop up waste	51302000	£ 115,00	1
b	fixation extension 35 mm	13898000	£ 79,00	1
c	cover	98832000	-	1