

36 608 782

- rosette 60 x 60 mm
- head part with cut-to-length spindle and sleeve



	Brushed Dark Platinum	36 608 782-99
	Chrome	36 608 782-00
	Brushed Platinum	36 608 782-06
	Platinum	36 608 782-08
	Dark Chrome	36 608 782-19
	Brushed Durabronze (23kt Gold)	36 608 782-28
	Brushed Champagne (22kt Gold)	36 608 782-46
	Champagne (22kt Gold)	36 608 782-47

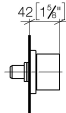
Required miscellaneous



- Wall valve 3/4"** 35 608 970 90
- min. recess depth 105 mm
 - max. recess depth 150 mm

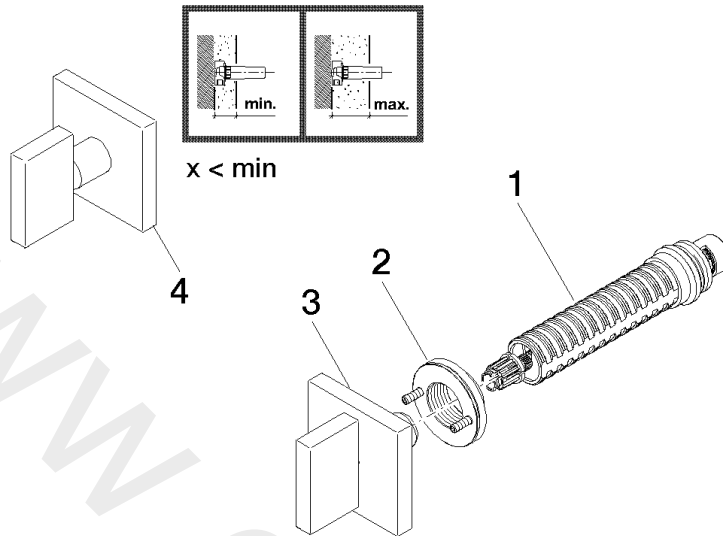
36 608 782

mm [inches]



www.divapor.com

36 608 782



Spare parts list

No.	Item Number	Name	Quantity used	Delivery time
1	90 90 03 127 00 90	top	1	2
2	90 21 02 108 00 90	disc	1	2
3	90 20 78 002 02-99	handle	1	30
4	04 20 78 002 01-99	handle	1	30