

36 608 819

- rosette Ø 60 mm
- head part with cut-to-length spindle and sleeve



	Brushed Dark Platinum	36 608 819-99
	Chrome	36 608 819-00
	Brushed Platinum	36 608 819-06
	Platinum	36 608 819-08
	Dark Chrome	36 608 819-19
	Brushed Durabronze (23kt Gold)	36 608 819-28
	Brushed Champagne (22kt Gold)	36 608 819-46
	Champagne (22kt Gold)	36 608 819-47

Required miscellaneous



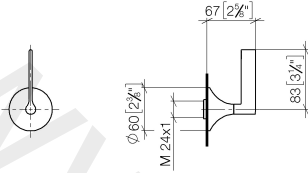
Wall valve 3/4"

35 608 970 90

- min. recess depth 75 mm
- max. recess depth 145 mm

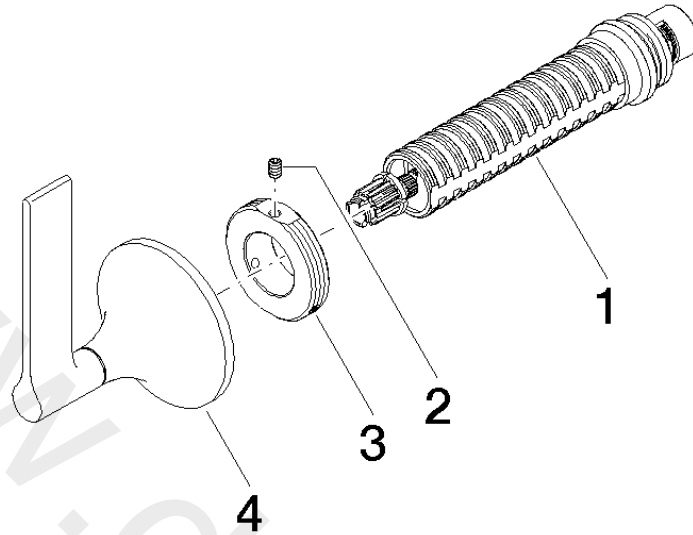
36 608 819

mm [inches]



www.divapor.com

36 608 819



Spare parts list

No.	Item Number	Name	Quantity used	Delivery time
1	90 90 03 127 00 90	top	1	2
2	09 31 11 008 90	pin	1	2
3	09 21 02 163 90	disc	1	2
4	90 20 80 015 00-99	handle	1	30