

## AXOR Citterio E

**3-hole basin mixer for concealed installation wall-mounted with spout 220 mm and escutcheons  
2 ticks**



Finish: **Chrome** Article Number: **36141009**

### product features

- consists of: 3-hole basin mixer for concealed installation wall-mounted, waste set
- projection: 220 mm
- handle variant: cross handle
- spray type: laminar spray
- maximum flow rate at 3 bar: 3,8 l/min
- ceramic valves hot/ cold 180°
- suitable for continuous flow water heaters
- non-closing waste set
- connection type: basic set
- connection dimension: DN15

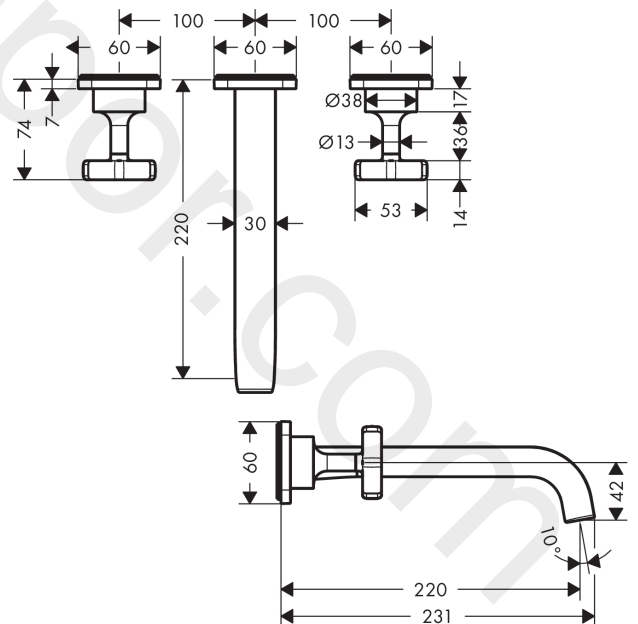
### Technology



### Product image



### Scale drawing



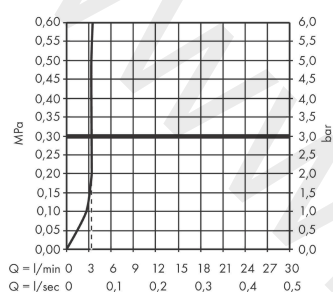
## AXOR Citterio E

3-hole basin mixer for concealed installation wall-mounted with spout 220 mm and escutcheons  
2 ticks



Finish: **Chrome** Article Number: **36141009**

### Flowchart



## AXOR Citterio E

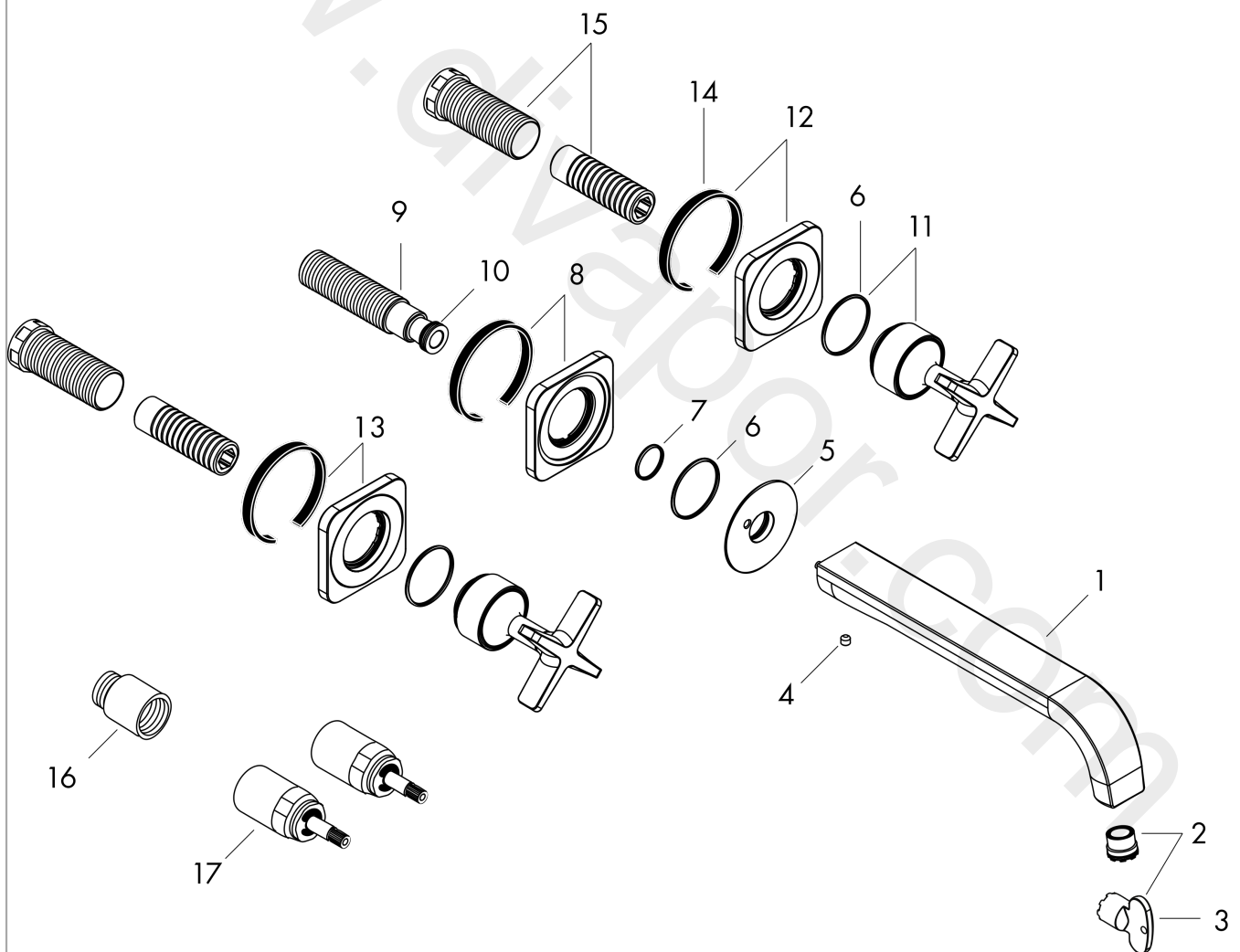
3-hole basin mixer for concealed installation wall-mounted with spout 220 mm and escutcheons  
2 ticks



Finish: **Chrome** Article Number: **36141009**

### Exploded Drawing

Year of production: >04/20



## AXOR Citterio E

**3-hole basin mixer for concealed installation wall-mounted with spout 220 mm and escutcheons  
2 ticks**



Finish: **Chrome** Article Number: **36141009**

### Spare part list

Year of production: >04/20

Pos.		Article Number	Price	PU
1	spout 220 mm	92336000	£ 370,00	1
2	aerator M16,5x1 (3,8 l/min)	92920000	£ 35,00	1
3	special tool	98987000	£ 9,00	1
4	hollow set screw M5x5	98446000	£ 3,30	1
5	escutcheon for spout	92342000	£ 64,00	1
6	O-ring 30x1,5	98433000	£ 3,30	1
7	O-ring 17x1,5	98137000	£ 3,30	1
8	escutcheon	92359000	£ 51,00	1
9	connecting thread G½	95626000	£ 43,00	1
10	O-ring 13x2	98128000	£ 3,30	1
11	handle	92343000	£ 137,00	1
12	escutcheon cold water	92398000	£ 137,00	1
13	escutcheon hot water	92397000	£ 137,00	1
14	seal	97530000	£ 6,10	1
15	fixing set	96393000	£ 35,00	1
16	extension 25 mm	95413000	£ 79,00	1
17	extension 25 mm	96259000	£ 79,00	1
a	pop up waste	51301000	£ 87,00	1