

AXOR ShowerSelect

Thermostat HighFlow for concealed installation round for 1 function and additional outlet

Finish: **Brushed Nickel** Article Number: **36726820**



product features

- 1 function and 1 additional outlet
- thermostat cartridge
- Select push-button on/off control for 1 outlet
- maximum flow rate at 3 bar: 59 l/min
- flow rate hand shower connection at 3 bar: 34 l/min
- flow rate upper outlet: 59 l/min
- min. operating pressure: 1 bar
- max. operating pressure: 10 bar
- safety stop at 40 °C
- temperature limitation adjustable
- thermostat is delivered with button hand shower
- connection type: basic set
- WRAS 2211001 - Approval letter
- WRAS 2211001

Article Details

Price excl. VAT

1.087,50 £

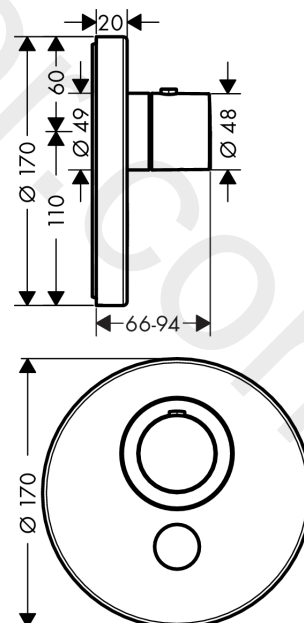
Technology



Product image



Scale drawing



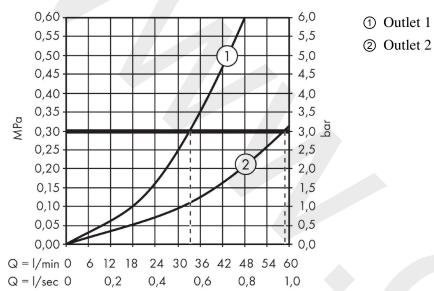
AXOR ShowerSelect

Thermostat HighFlow for concealed installation round for 1 function and additional outlet

Finish: **Brushed Nickel** Article Number: **36726820**



Flowchart

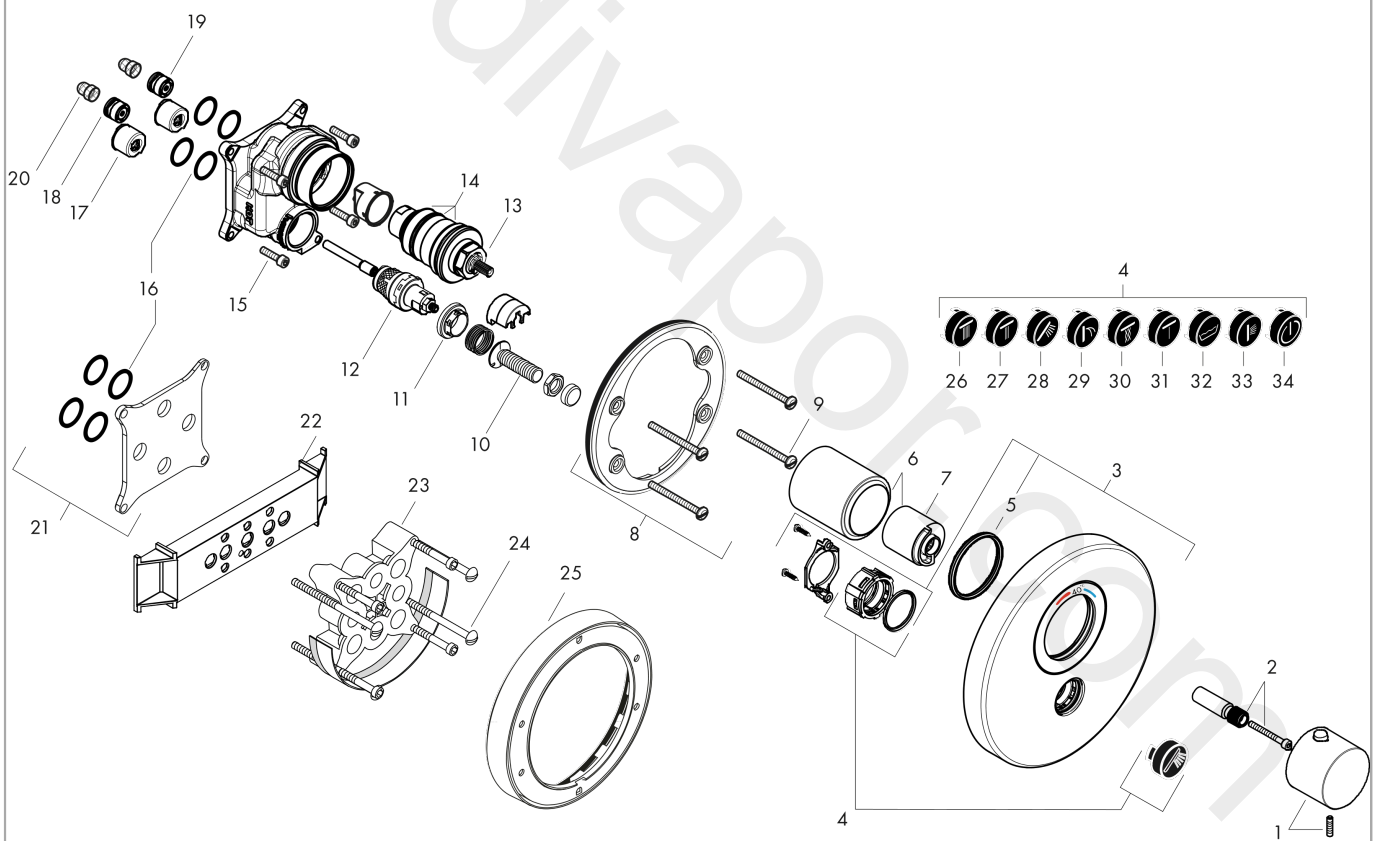


AXOR ShowerSelect
Thermostat HighFlow for concealed installation round for 1 function and additional outlet
 Finish: **Brushed Nickel** Article Number: **36726820**



Exploded Drawing

Year of production: >04/17



AXOR ShowerSelect

Thermostat HighFlow for concealed installation round for 1 function and additional outlet

Finish: **Brushed Nickel** Article Number: **36726820**



Spare part list

Year of production: >04/17

Pos.		Article Number	Price	PU
1	handle for thermostat	92534820	£ 173,00	1
2	adapter for handle	98701000	£ 9,00	1
3	escutcheon Ø 170 mm	92662820	-	1
4	set of symbols	92544610	£ 137,00	1
5	O-ring 48x4	98414000	£ 9,00	1
6	sleeve	98679820	£ 118,50	1
7	sub plate	96447000	£ 51,00	1
8	set of fixing screws	96454000	£ 9,00	1
9	Select-adapter	92219000	£ 6,10	1
10	nut	98368000	£ 13,30	1
11	shut off unit	95758000	£ 110,00	1
12	thermostat cartridge	96633000	£ 137,00	1
13	sealing set	96636000	£ 51,00	1
14	set of screws	96525000	£ 9,00	1
15	O-ring 16x2	98133000	£ 3,30	1
16	noise reduction	94073000	£ 25,00	1
17	non return valve (pressure-resistant up to 2 MPa)	92594000	£ 16,10	1
18	non return valve	97980000	£ 16,10	1
19	filter	98513000	£ 3,30	1
20	compensation set 1°	95521000	£ 173,00	1
21	fit-up aid	92540000	£ 14,10	1
22	extension 25 mm	13595000	£ 75,00	1
23	set of fixing screws	97747000	£ 3,30	1
24	extension 22 mm (Ø 170 mm)	13596820	£ 108,00	1
25	symbol head shower Rain large	93571610	£ 13,30	1
26	symbol head shower Rain small	93572610	£ 13,30	1
27	symbol handshower	93573610	£ 13,30	1
28	symbol Flood jet	93574610	£ 13,30	1
29	symbol Whirl	93575610	£ 13,30	1
30	symbol Mono	93576610	£ 13,30	1
31	symbol tub	93577610	£ 13,30	1
32	symbol body shower	93578610	£ 13,30	1
33	symbol ON/OFF	93579610	£ 13,30	1
a	concealed item	01800180	£ 163,00	1

AXOR ShowerSelect
Thermostat HighFlow for concealed installation round for 1 function and additional outlet
 Finish: **Brushed Nickel** Article Number: **36726820**



Spare part list

Year of production: >04/17

Pos.		Article Number	Price	PU
b	adapter for exchanged connections	93181000	£ 275,00	1
c	fixation set	96615000	£ 59,00	1
d	Grease	90920000	£ 16,10	1