

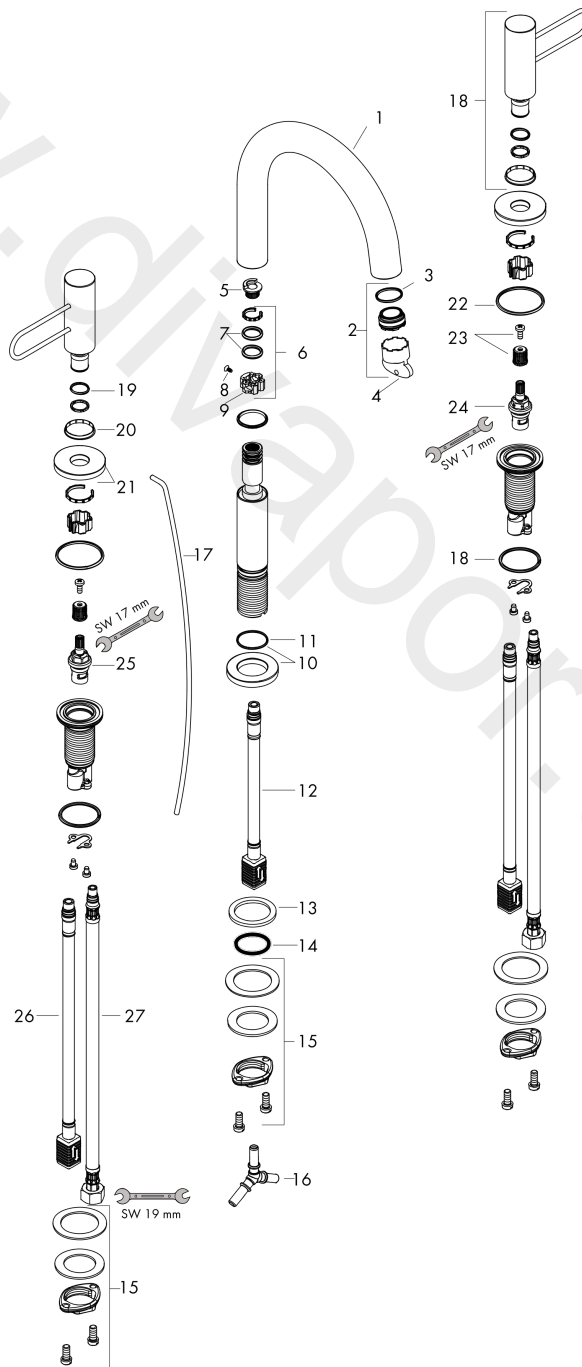


**AXOR Uno**  
**3-hole basin mixer 160 with loop handles and pop-up waste set**  
 Finish: **Chrome** Article Number: **38054000**



## Exploded Drawing

Year of production: >04/17



**AXOR Uno**  
**3-hole basin mixer 160 with loop handles and pop-up waste set**  
 Finish: **Chrome** Article Number: **38054000**



## Spare part list

Year of production: >04/17

Pos.		Article Number	Price	PU
1	spout cpl.	93149000	£ 173,00	1
2	aerator M24x1 (5 l/min)	92895000	£ 35,00	1
3	O-ring 20x1,5	98197000	£ 3,30	1
4	special tool	95290000	£ 9,00	1
5	set of locating rings (110° / 150°)	98486000	£ 16,10	1
6	sealing set	92646000	£ 20,50	1
7	O-Ring 14x2,5	98189000	£ 3,30	1
8	screw	97662000	£ 9,00	1
9	axialring	97558000	£ 3,30	1
10	escutcheon for spout	92957000	£ 51,00	1
11	O-ring 25x1,5	98146000	£ 3,30	1
12	connection hose 200 mm M10x1	92913000	£ 51,00	1
13	flat seal	98749000	£ 6,10	1
14	O-ring 26x4	92191000	-	1
15	fixing set (Ø 28)	92909000	£ 43,00	1
16	hose connection angel	92905000	£ 43,00	1
17	pull rod	97158000	£ 25,00	1
18	handle	92958000	-	1
19	O-Ring 14x1,5	98201000	£ 3,30	1
20	set of color-rings cold / hot water	96319000	£ 9,00	1
21	escutcheon for handle	92956000	£ 35,00	1
22	O-ring 33x2,5	92907000	£ 3,30	1
23	handle fixing set	98932000	£ 16,10	1
24	shut off unit left closing	95366000	£ 43,00	1
25	shut off unit right closing	98817000	£ 35,00	1
26	connection hose 450 mm M8x0,75 G3/8	97206000	£ 35,00	1
27	connection hose 400 mm M10x1	92914000	£ 64,00	1
a	pop up waste	94139000	£ 96,00	1