

## AXOR Uno

Single lever basin mixer for concealed installation wall-mounted with spout 165 mm and escutcheons

Finish: **Chrome** Article Number: **38113007**



### product features

- projection: 165 mm
- handle variant: pin handle
- spray type: normal spray
- maximum flow rate at 3 bar: 5 l/min
- ceramic cartridge
- suitable for continuous flow water heaters
- non-closing waste set
- connection type: basic set
- connection dimension: DN15
- handle can be positioned on the right or left, depending on the basic set installation

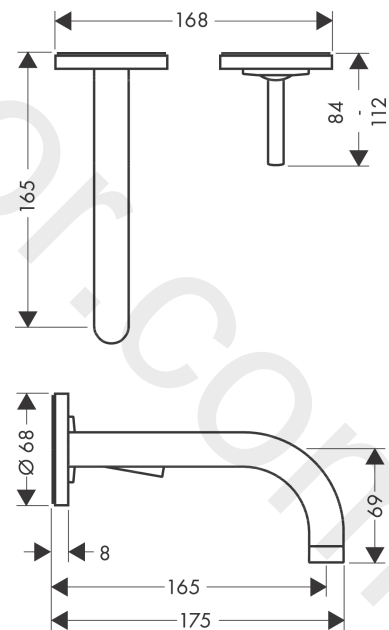
### Technology



### Product image



### Scale drawing



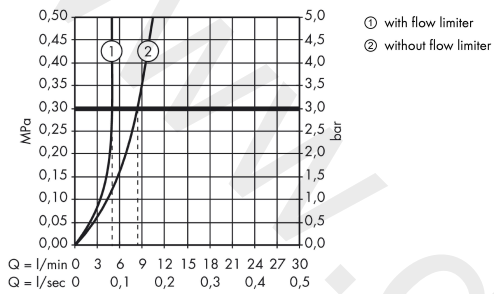
## AXOR Uno

Single lever basin mixer for concealed installation wall-mounted with spout 165 mm and escutcheons

Finish: **Chrome** Article Number: **38113007**



### Flowchart



## AXOR Uno

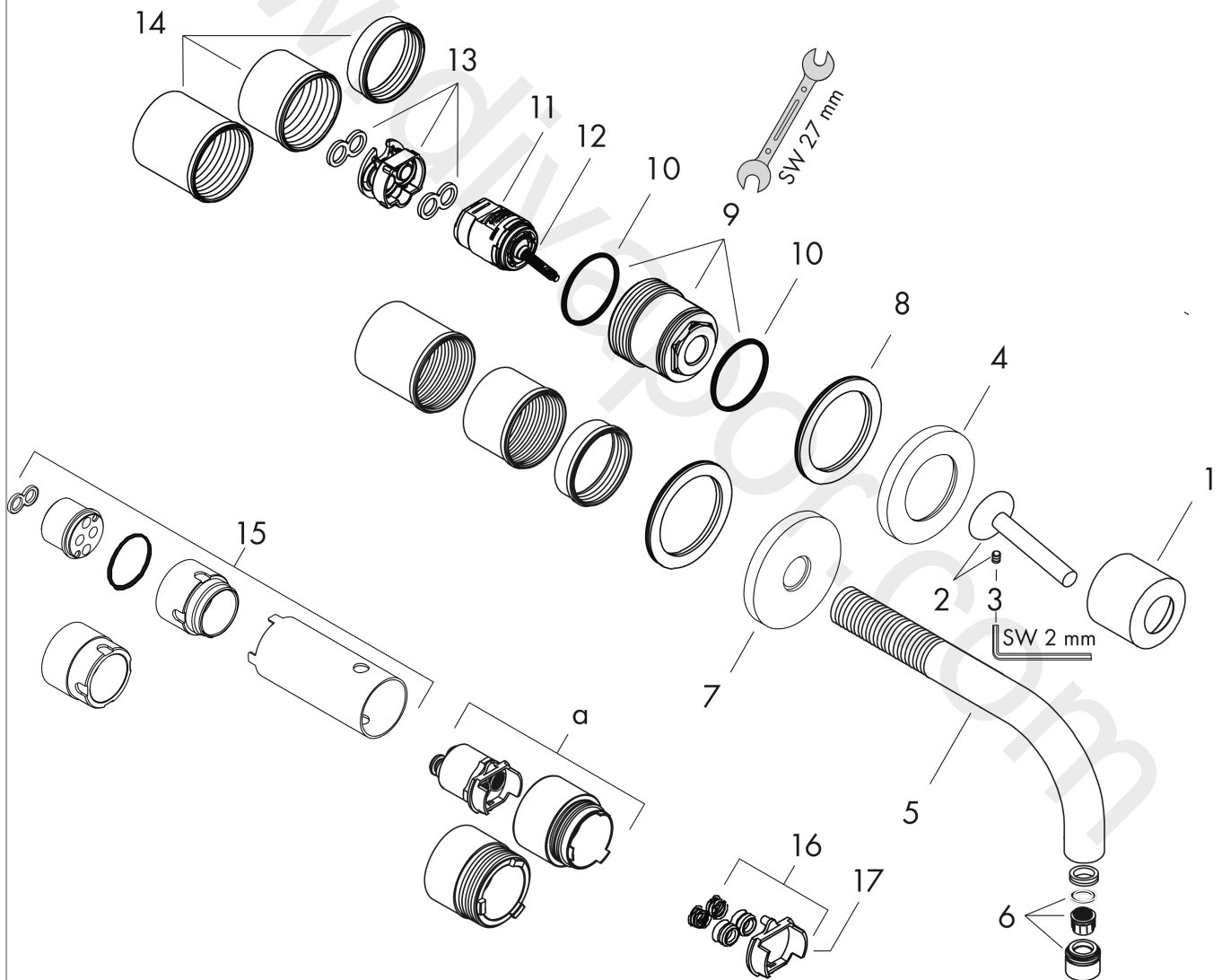
Single lever basin mixer for concealed installation wall-mounted with spout 165 mm and escutcheons

Finish: **Chrome** Article Number: **38113007**



### Exploded Drawing

Year of production: >01/18



## AXOR Uno

Single lever basin mixer for concealed installation wall-mounted with spout 165 mm and escutcheons

Finish: **Chrome** Article Number: **38113007**



### Spare part list

Year of production: >01/18

Pos.		Article Number	Price	PU
1	flange	96908000	£ 43,00	1
2	handle	10092000	£ 79,00	1
3	hollow set screw M4x6	97767000	£ 3,30	1
4	escutcheon for handle	96909000	£ 79,00	1
5	spout 160 mm	97369000	£ 173,00	1
6	aerator M18x1 (5 l/min)	95387000	£ 43,00	1
7	escutcheon for spout	96910000	£ 79,00	1
8	washer	97600000	£ 13,30	1
9	nut	95645000	£ 43,00	1
10	O-ring 34x2	98383000	£ 6,10	1
11	cartridge, assy	96339000	£ 79,00	1
12	O-ring 21,95x1,78	95169000	£ 3,30	1
13	adapter for cartridge	95644000	£ 16,10	1
14	fixing set	97971000	£ 43,00	1
15	extension set 25 mm for 13622180	31971000	£ 169,00	1
16	conversion kit	95643000	£ 43,00	1
17	adapter for cartridge	97280000	£ 6,10	1
a	extension set for 38111180	38982000	£ 173,00	1
b	pop up waste	51301000	£ 87,00	1
c	adapter for exchanged connections	93561000	£ 275,00	1