

AXOR Uno

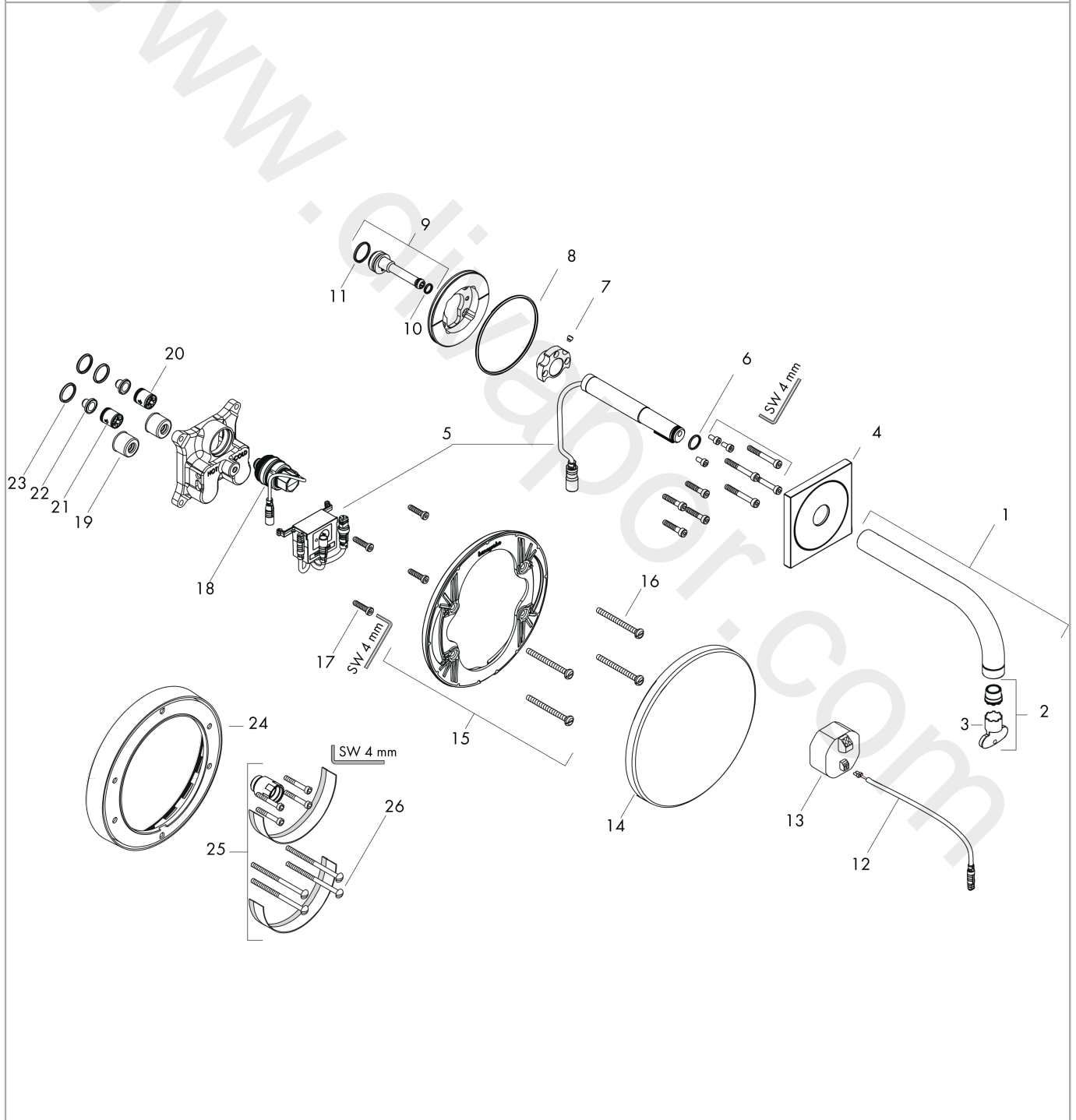
Electronic basin mixer for concealed installation wall-mounted with spout 225 mm

Surfaces: Article Number: 38120000



Exploded Drawing

Year of production: 01/12 - 04/20



AXOR Uno

Electronic basin mixer for concealed installation wall-mounted with spout 225 mm

Surfaces: Article Number: **38120000**



Spare part list

Year of production: **01/12 - 04/20**

Pos.		Article Number	Price	PU
1	spout 225 mm	95951000	£ 370,00	1
2	aerator cpl.	93118000	£ 25,00	1
3	special tool	98987000	£ 9,00	1
4	escutcheon	95943000	£ 110,00	1
5	electronics	95949000	£ 585,00	1
6	O-ring 12x1,5	98430000	£ 3,30	1
7	hollow set screw M6x6	97660000	£ 3,30	1
8	O-ring 76x2,5	98431000	£ 6,10	1
9	connecting thread	92449000	£ 51,00	1
10	O-ring 7x1,5	98422000	£ 3,30	1
11	O-ring 17x1,5	98137000	£ 3,30	1
12	cable for illumination (12 V)	95586000	£ 79,00	1
13	transformer	95945000	£ 224,00	1
14	escutcheon Ø 170 mm	95946000	£ 64,00	1
15	sub plate	96447000	£ 51,00	1
16	set of fixing screws	96454000	£ 9,00	1
17	set of screws	96525000	£ 9,00	1
18	solenoid valve 6 V	96904000	£ 275,00	1
19	noise reduction	94073000	£ 25,00	1
20	set of non return valves DW 15	94074000	£ 16,10	1
21	non return valve (pressure-resistant up to 2 MPa)	92594000	£ 16,10	1
22	filter packing	95291000	£ 13,30	1
23	O-ring 16x2	98133000	£ 3,30	1
24	extension 22 mm (Ø 170 mm)	13596000	£ 72,00	1
25	extension 25 mm	13594000	£ 109,00	1
26	set of fixing screws	97747000	£ 3,30	1
a	concealed item	16180180	£ 400,00	1
b	cable extension set 5 m	95997000	£ 224,00	1
c	conversion kit with push button	95977000	£ 585,00	1
d	extension 25 mm	13595000	£ 75,00	1
e	extension 100 mm	92445000	£ 585,00	1