

AXOR Uno
Bath spout curved
 Finish: **Chrome** Article Number: **38411000**



product features

- 1 function
- with escutcheon
- projection: 178 mm
- wall-mounted
- maximum flow rate at 3 bar: 19 l/min
- connection dimension: DN20
- spray type: normal spray
- WRAS 2301049
- WRAS 2301049 - Approval letter 2301049

Article Details

Price excl. VAT 279,17 £

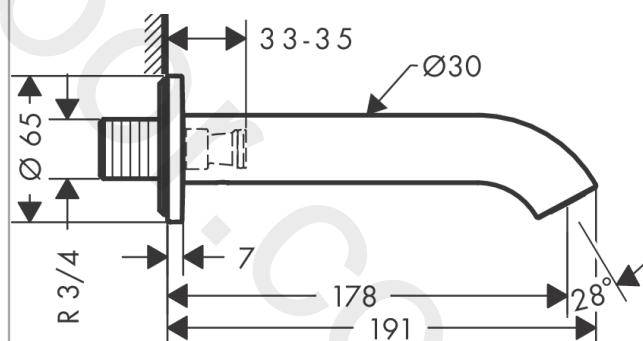
Technology



Product image



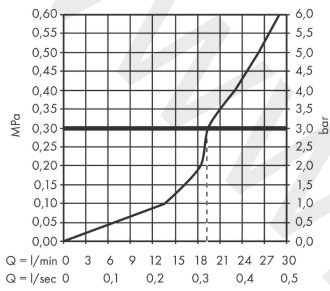
Scale drawing



AXOR Uno
Bath spout curved
 Finish: **Chrome** Article Number: **38411000**



Flowchart



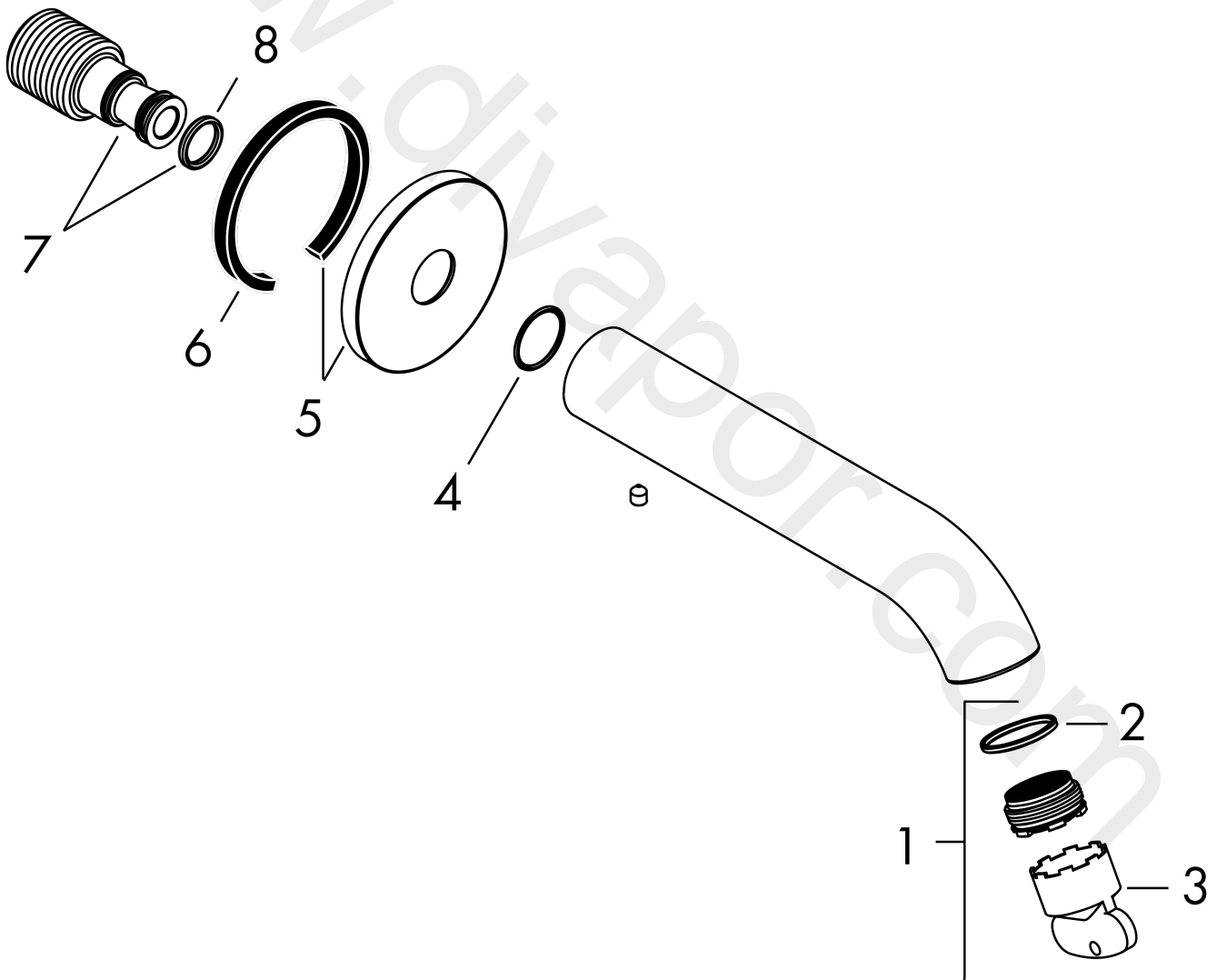
The consumption was measured in combination with the appropriate fittings (thermosta/mixer/
 in-wall valve) to reflect actual application in practice.

AXOR Uno
Bath spout curved
Finish: **Chrome** Article Number: **38411000**



Exploded Drawing

Year of production: >04/17



AXOR Uno
Bath spout curved
 Finish: **Chrome** Article Number: **38411000**



Spare part list

Year of production: >04/17

Pos.		Article Number	Price	PU
1	aerator M24x1 C	92934000	£ 20,50	1
2	O-ring 20x1,5	98197000	£ 3,30	1
3	special tool	95290000	£ 9,00	1
4	O-ring 18x1,5	98231000	£ 3,30	1
5	escutcheon Ø 65 mm	92754000	£ 43,00	1
6	seal	97530000	£ 6,10	1
7	connecting thread G $\frac{3}{4}$	92504000	£ 64,00	1
8	O-ring 13x2	98128000	£ 3,30	1