

AXOR Uno
Single lever bath mixer for exposed installation with loop handle
 Finish: **Brushed Nickel** Article Number: **38421820**



product features

- 2 functions
- projection: 203 mm
- centre distance: 150 ± 16 mm
- spray type mixer: normal spray
- maximum flow rate at 3 bar: 22 l/min
- flow rate for bath spout at 3 bar: 22 l/min
- flow rate of hand shower at 3 bar: 16 l/min
- ceramic cartridge
- temperature limitation adjustable
- diverter with automatic resetting
- non-return valve
- with silencer
- suitable for continuous flow water heaters
- connection dimension: DN15
- connection type: s-shaped connections
- wall-mounted
- min. operating pressure: 1 bar
- max. operating pressure: 10 bar
- WRAS 1807025
- WRAS 1807025 - Approval letter

Article Details

Price excl. VAT 962,50 £

Technology



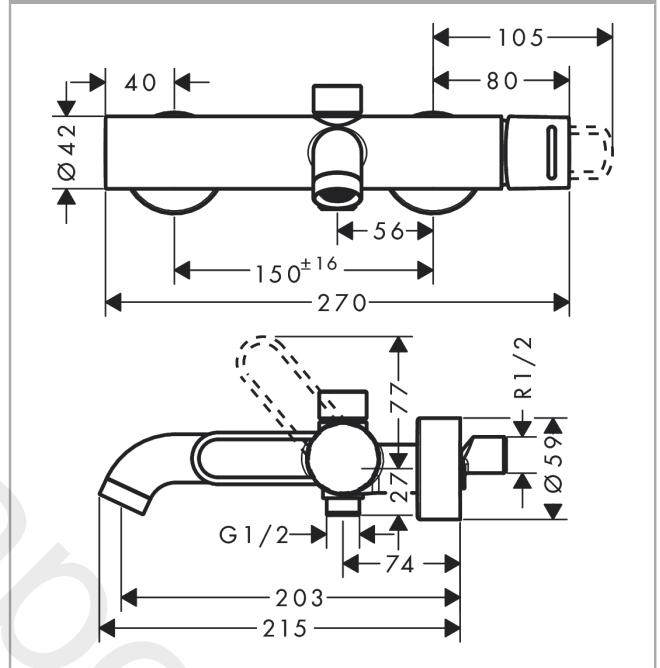
AXOR Uno
Single lever bath mixer for exposed installation with loop handle
 Finish: **Brushed Nickel** Article Number: **38421820**



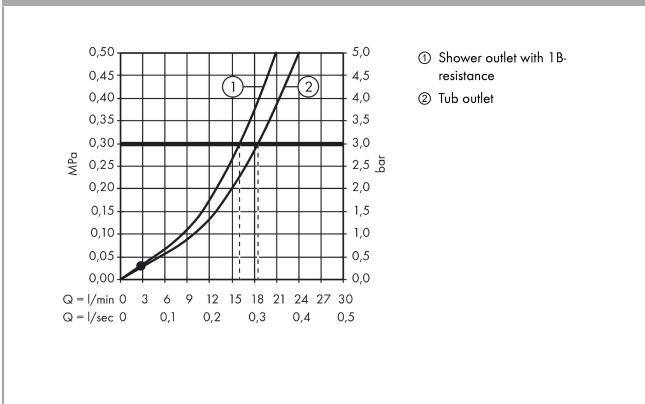
Product image



Scale drawing



Flowchart

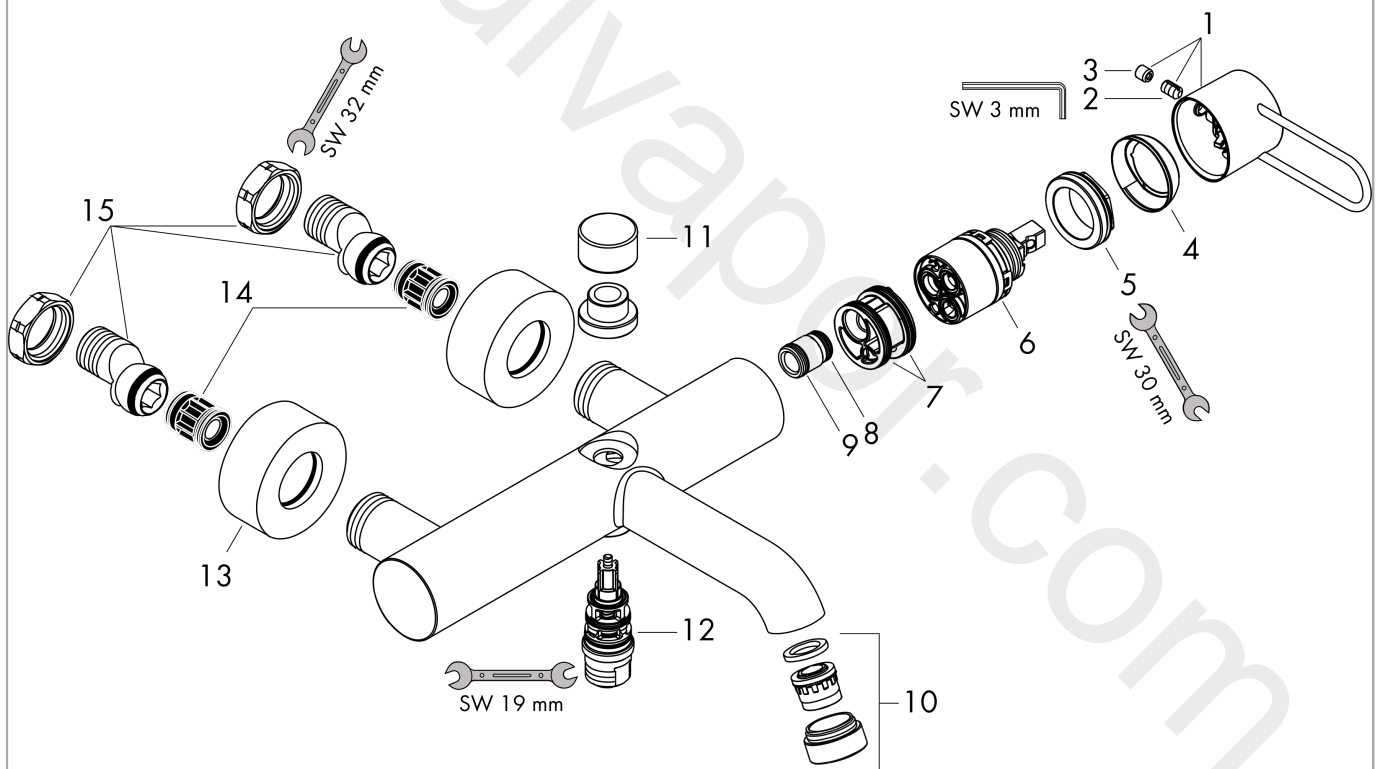


AXOR Uno
Single lever bath mixer for exposed installation with loop handle
Finish: **Brushed Nickel** Article Number: **38421820**



Exploded Drawing

Year of production: >05/20



AXOR Uno
Single lever bath mixer for exposed installation with loop handle
 Finish: **Brushed Nickel** Article Number: **38421820**



Spare part list

Year of production: >05/20

Pos.		Article Number	Price	PU
1	handle	93073820	£ 173,00	1
2	hollow set screw M6x10 DIN 916	96029000	£ 3,30	1
3	screw cover	96762000	£ 3,30	1
4	flange	98603820	£ 37,50	1
5	nut	97209000	£ 16,10	1
6	cartridge, assy	92730000	£ 35,00	1
7	O-ring 29x2	98391000	£ 3,30	1
8	O-ring 11x2	98127000	£ 3,30	1
9	O-ring 12x2	98214000	£ 3,30	1
10	aerator M24x1 (25 l/min)	97356000	£ 43,00	1
11	diverter knob	97355820	£ 79,00	1
12	selector assy	94077000	£ 43,00	1
13	escutcheon Ø 59 mm	97507820	£ 79,00	1
14	noise reduction	96429000	£ 6,10	1
15	set of S-unions with nuts	96742000	£ 51,00	1