

AXOR Uno

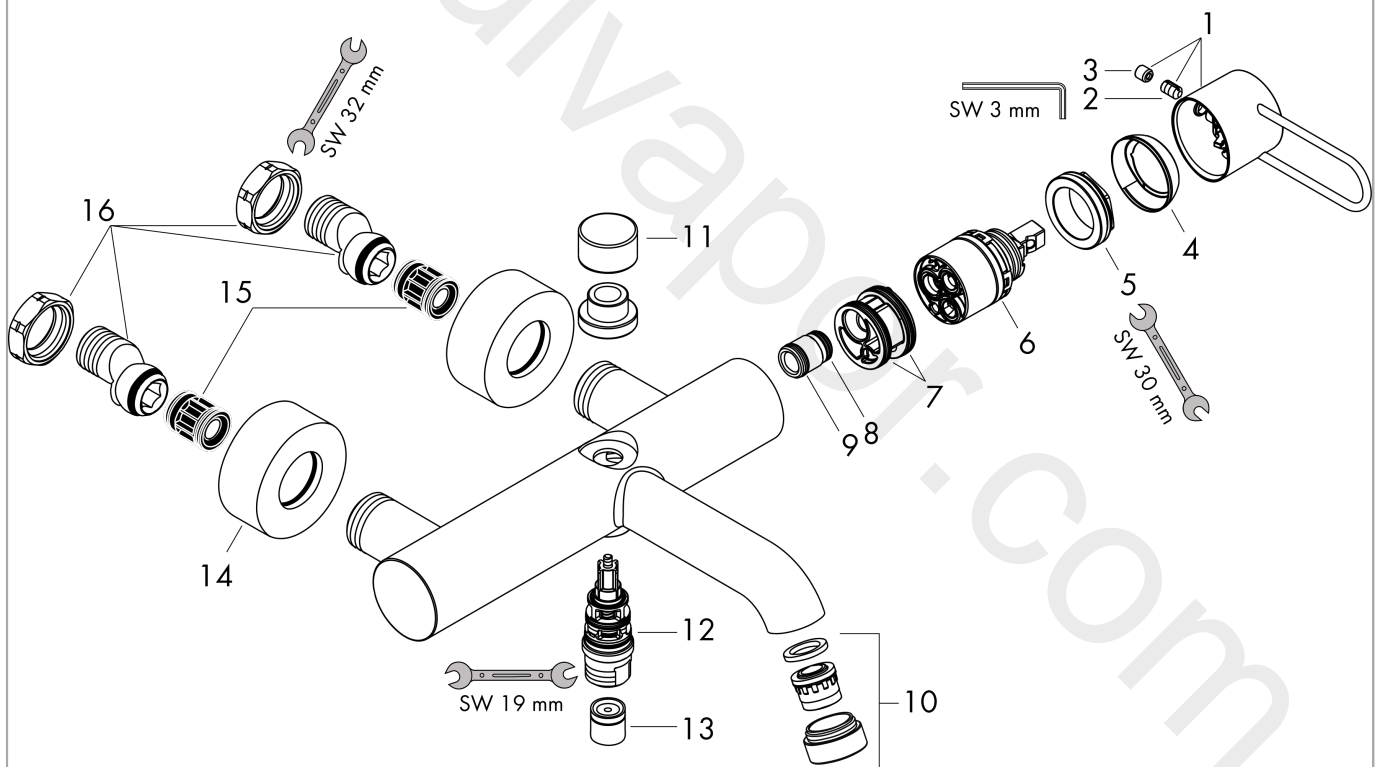
Single lever bath mixer for exposed installation with loop handle

Surfaces: Article Number: 38421930



Exploded Drawing

Year of production: 04/17 - 04/20



AXOR Uno
Single lever bath mixer for exposed installation with loop handle
 Surfaces: Article Number: **38421930**



Spare part list

Year of production: **04/17 - 04/20**

Pos.		Article Number	Price	PU
1	handle	93073930	£ 173,00	1
2	screw cover	96762000	£ 3,30	1
3	hollow set screw M6x10 DIN 916	96029000	£ 3,30	1
4	flange	98603930	£ 37,50	1
5	nut	97209000	£ 16,10	1
6	cartridge, assy	92730000	£ 35,00	1
7	O-ring 29x2	98391000	£ 3,30	1
8	O-ring 11x2	98127000	£ 3,30	1
9	O-ring 12x2	98214000	£ 3,30	1
10	aerator M24x1 (25 l/min)	97356000	£ 43,00	1
11	diverter knob	97355930	£ 79,00	1
12	selector assy	94077000	£ 43,00	1
13	set of non return valves DW 15	94074000	£ 16,10	1
14	escutcheon Ø 59 mm	97507930	£ 79,00	1
15	noise reduction	96429000	£ 6,10	1
16	set of S-unions with nuts	96742000	£ 51,00	1