

AXOR Uno

Single lever bath mixer for exposed installation with loop handle 2 ticks

Finish: **Chrome** Article Number: **38423009**



product features

- 2 functions
- projection: 203 mm
- centre distance: 150 ± 16 mm
- spray type mixer: normal spray
- maximum flow rate at 3 bar: 20 l/min
- flow rate for bath spout at 3 bar: 20 l/min
- flow rate of hand shower at 3 bar: 5,8 l/min
- ceramic cartridge
- temperature limitation adjustable
- diverter with automatic resetting
- non-return valve
- with silencer
- suitable for continuous flow water heaters
- connection dimension: DN15
- connection type: s-shaped connections
- wall-mounted
- min. operating pressure: 1 bar
- max. operating pressure: 10 bar

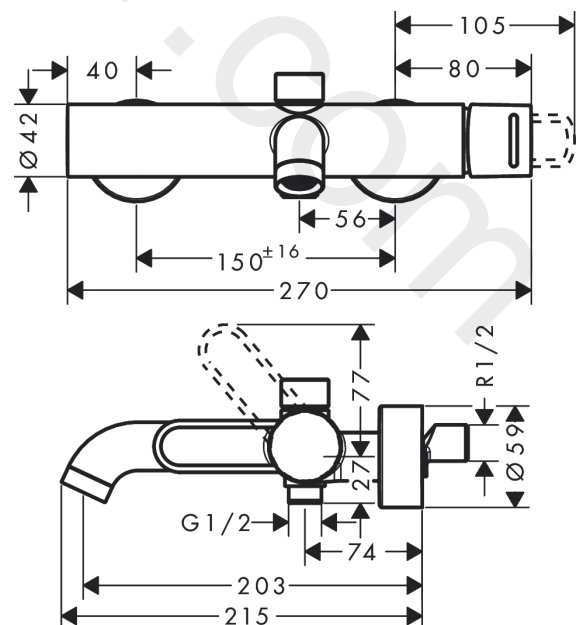
Technology



Product image



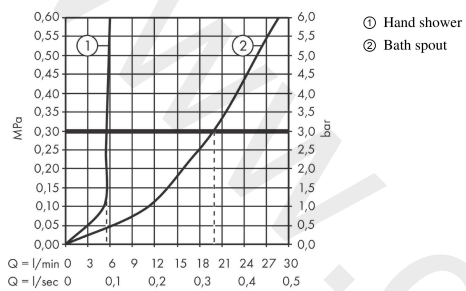
Scale drawing



AXOR Uno
Single lever bath mixer for exposed installation with loop handle 2 ticks
Finish: **Chrome** Article Number: **38423009**



Flowchart

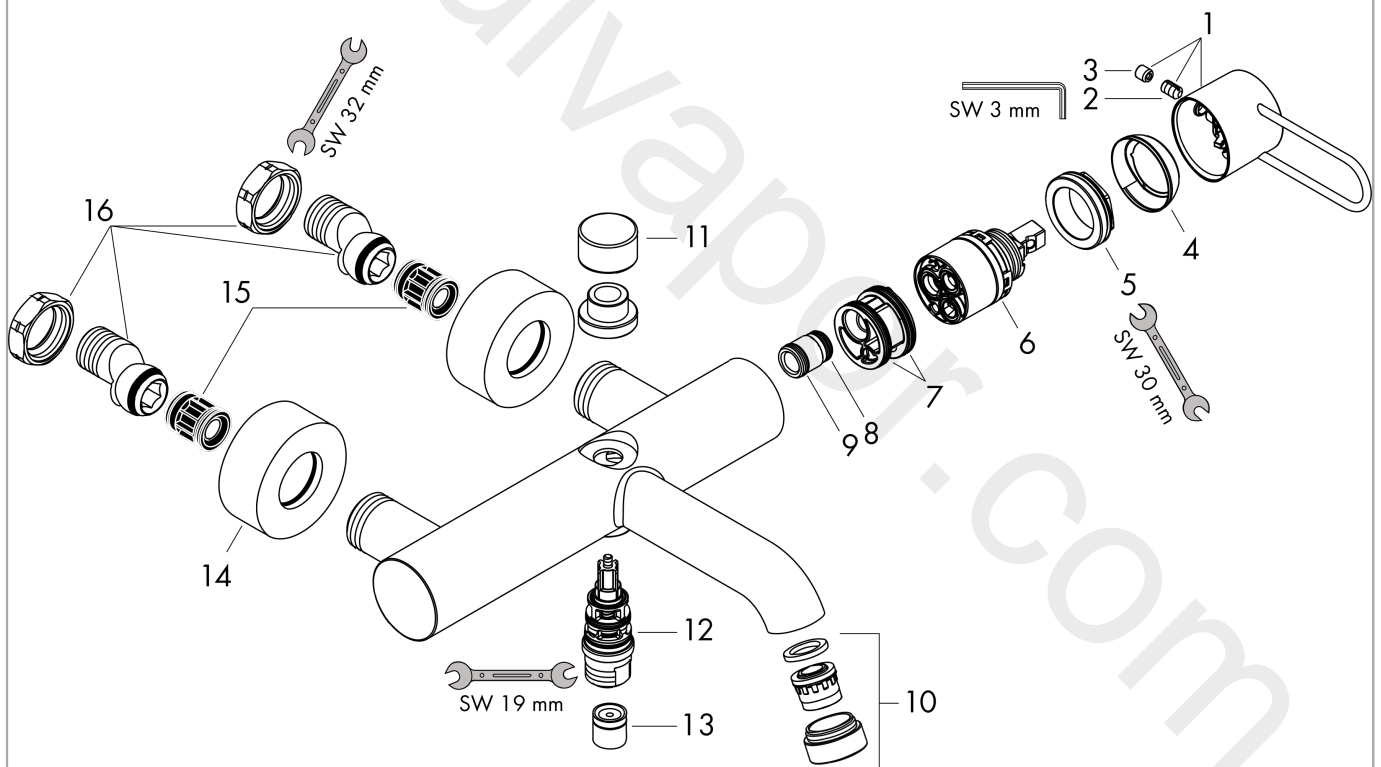


AXOR Uno
Single lever bath mixer for exposed installation with loop handle 2 ticks
Finish: **Chrome** Article Number: **38423009**



Exploded Drawing

Year of production: >04/20



AXOR Uno
Single lever bath mixer for exposed installation with loop handle 2 ticks
 Finish: **Chrome** Article Number: **38423009**



Spare part list

Year of production: >04/20

Pos.		Article Number	Price	PU
1	handle	93073000	£ 96,00	1
2	screw cover	96762000	£ 3,30	1
3	hollow set screw M6x10 DIN 916	96029000	£ 3,30	1
4	flange	98603000	£ 25,00	1
5	nut	97209000	£ 16,10	1
6	cartridge, assy	92730000	£ 35,00	1
7	O-ring 29x2	98391000	£ 3,30	1
8	O-ring 11x2	98127000	£ 3,30	1
9	O-ring 12x2	98214000	£ 3,30	1
10	aerator M24x1 (38 l/min)	93588000	£ 35,00	1
11	diverter knob	97355000	£ 51,00	1
12	selector assy	94077000	£ 43,00	1
13	non return valve	92839000	£ 16,10	1
14	escutcheon Ø 59 mm	97507000	£ 35,00	1
15	noise reduction	96429000	£ 6,10	1
16	set of S-unions with nuts	96742000	£ 51,00	1