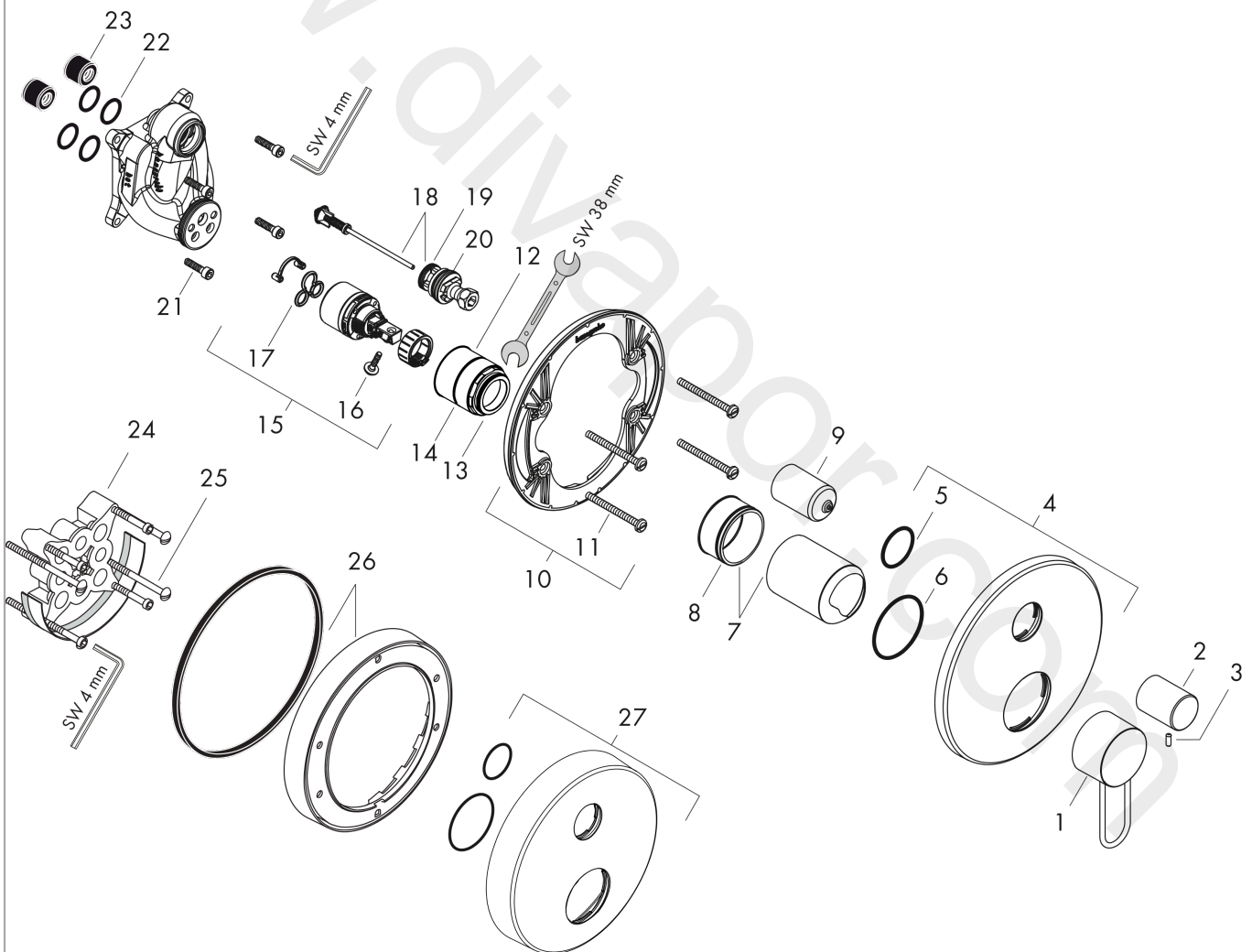


**AXOR Uno**  
**Single lever bath mixer for concealed installation with loop handle**  
Surfaces: Article Number: **38426930**



## Exploded Drawing

Year of production: **04/17 - 12/20**



## AXOR Uno

Single lever bath mixer for concealed installation with loop handle

Surfaces: Article Number: **38426930**



### Spare part list

Year of production: **04/17 - 12/20**

Pos.		Article Number	Price	PU
1	handle	93037930	-	1
2	diverter knob	96473930	£ 79,00	1
3	hollow set screw M4x10	97667000	£ 3,30	1
4	escutcheon Ø 170 mm	95806930	£ 173,00	1
5	O-Ring 48x3	95508000	£ 3,30	1
6	O-ring 29x3	98371000	£ 6,10	1
7	flange	98684930	-	1
8	O-ring 43x1,5	98148000	£ 3,30	1
9	sleeve	96448930	£ 64,00	1
10	sub plate	96447000	£ 51,00	1
11	set of fixing screws	96454000	£ 9,00	1
12	nut	98796000	£ 43,00	1
13	O-ring 30x1,5	98433000	£ 3,30	1
14	O-ring 39x1,5	98400000	£ 3,30	1
15	cartridge, assy	92730000	£ 35,00	1
16	locking screw for handle	95140000	£ 6,10	1
17	seal	95008000	£ 9,00	1
18	selector assy	95014000	£ 64,00	1
19	O-ring 17x2	98199000	£ 3,30	1
20	O-ring 20x2,5	92602000	£ 6,10	1
21	set of screws	96525000	£ 9,00	1
22	O-ring 16x2	98133000	£ 3,30	1
23	noise reduction	94073000	£ 25,00	1
24	extension 25 mm	13595000	£ 75,00	1
25	set of fixing screws	97747000	£ 3,30	1
26	extension 22 mm (Ø 170 mm)	13596930	£ 108,00	1
27	escutcheon height = 33 mm (when wall is not deep enough).	14961930	£ 106,50	1
a	concealed item	01800180	£ 163,00	1
b	adapter for exchanged connections	93181000	£ 275,00	1