

AXOR Citterio
3-hole basin mixer for concealed installation wall-mounted with spout 222 mm, lever handles and escutcheons



Finish: **Chrome** Article Number: **39147000**

product features

- consists of: 3-hole basin mixer for concealed installation wall-mounted, waste set
- projection: 222 mm
- spray type: normal spray
- maximum flow rate at 3 bar: 5 l/min
- ceramic valves hot/cold 90°
- suitable for continuous flow water heaters
- non-closing waste set
- connection type: basic set
- connection dimension: DN15
- WRAS 1906035

Article Details

Price excl. VAT

725,00 £

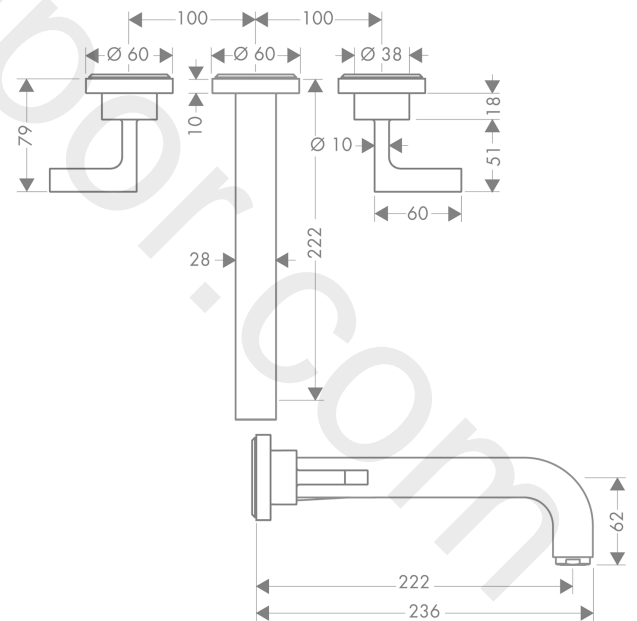
Technology



Product image



Scale drawing



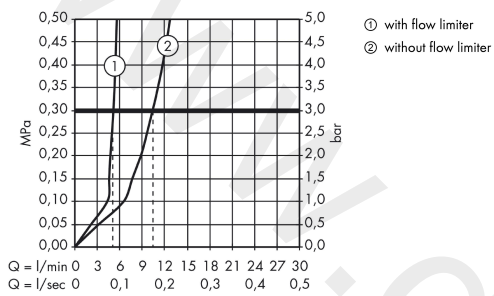
AXOR Citterio

3-hole basin mixer for concealed installation wall-mounted with spout 222 mm, lever handles and escutcheons



Finish: **Chrome** Article Number: **39147000**

Flowchart

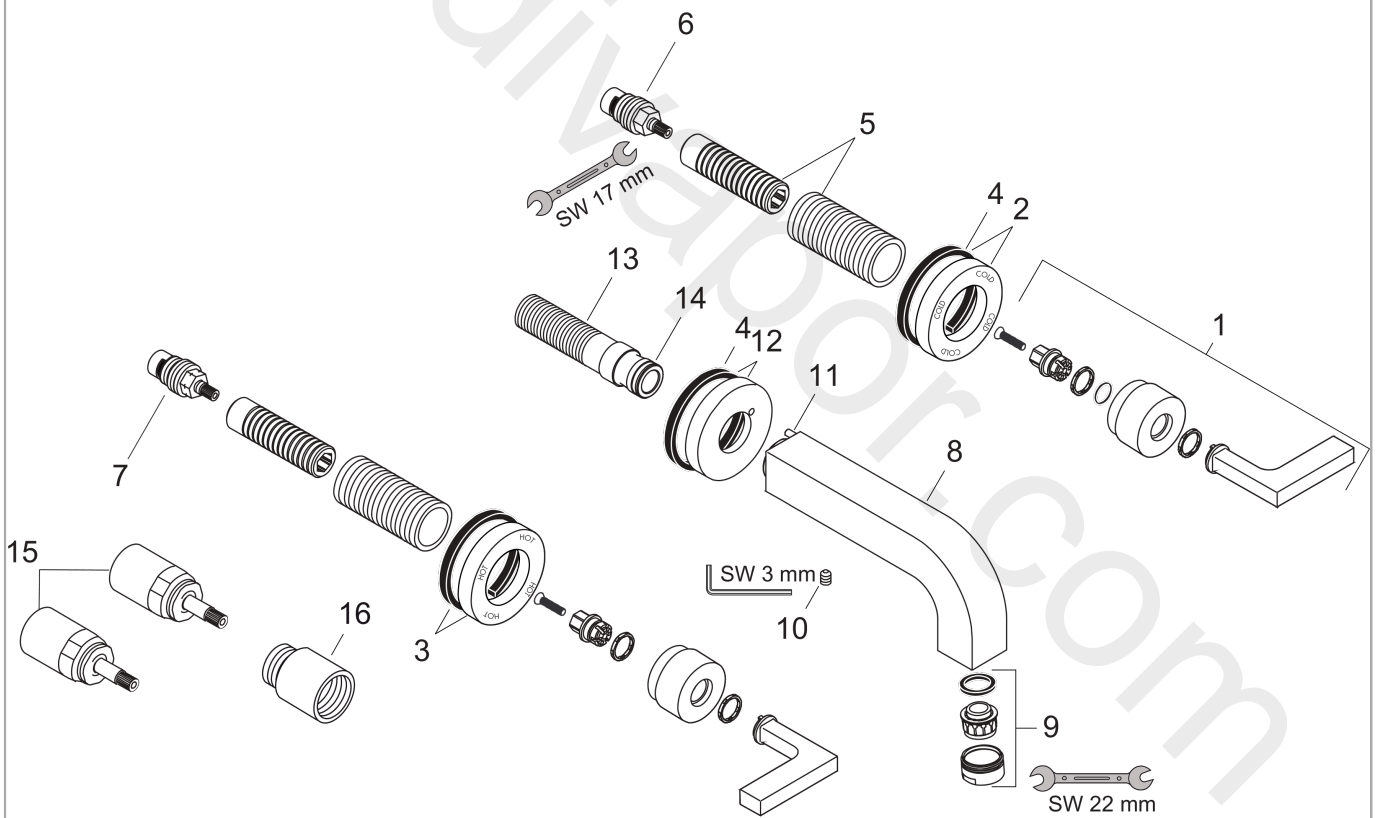


AXOR Citterio
3-hole basin mixer for concealed installation wall-mounted with spout 222 mm, lever handles and escutcheons
 Finish: **Chrome** Article Number: **39147000**



Exploded Drawing

Year of production: >01/10



AXOR Citterio
3-hole basin mixer for concealed installation wall-mounted with spout 222 mm, lever handles
and escutcheons



Finish: **Chrome** Article Number: **39147000**

Spare part list

Year of production: >01/10

Pos.		Article Number	Price	PU
1	handle	39296000	£ 110,00	1
2	escutcheon cold water	96754000	£ 64,00	1
3	escutcheon hot water	96755000	£ 64,00	1
4	seal	97530000	£ 6,10	1
5	fixing set	96392000	£ 35,00	1
6	shut off unit right closing	96350000	£ 51,00	1
7	shut off unit left closing	96351000	£ 51,00	1
8	spout 220 mm	97239000	£ 585,00	1
9	aerator M24x1 (5 l/min)	13185000	£ 22,30	1
10	hollow set screw M4x16	97663000	£ 3,30	1
11	hollow set screw M6x6	97660000	£ 3,30	1
12	escutcheon for spout	96756000	£ 64,00	1
13	connecting thread G½	97228000	£ 51,00	1
14	O-ring 16x2,5	98134000	£ 3,30	1
15	extension 25 mm	96259000	£ 79,00	1
16	extension 25 mm	95413000	£ 79,00	1
a	waste	50001000	£ 71,00	1
b	base body	10303180	£ 300,00	1