

**AXOR Citterio**  
**Single lever bidet mixer with pop-up waste set**  
 Finish: **Chrome** Article Number: **39200000**



### product features

- consists of: single lever bidet mixer, waste set
- projection: 105 mm
- aerator with ball pivot
- spray type: normal spray
- maximum flow rate at 3 bar: 7,2 l/min
- ceramic cartridge
- suitable for continous flow water heaters
- pop-up waste set G 1¼
- connection type: G ¾ connections
- connection dimension: DN15

### Article Details

Price excl. VAT

991,67 £

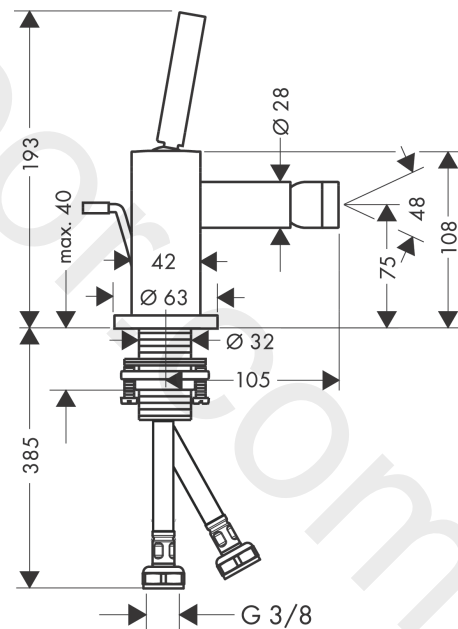
### Technology



### Product image



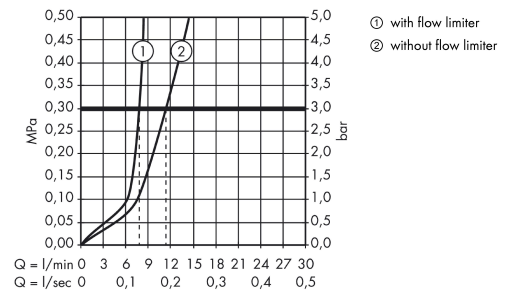
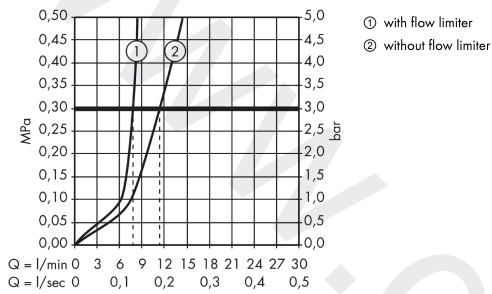
### Scale drawing



**AXOR Citterio**  
**Single lever bidet mixer with pop-up waste set**  
 Finish: **Chrome** Article Number: **39200000**



## Flowchart

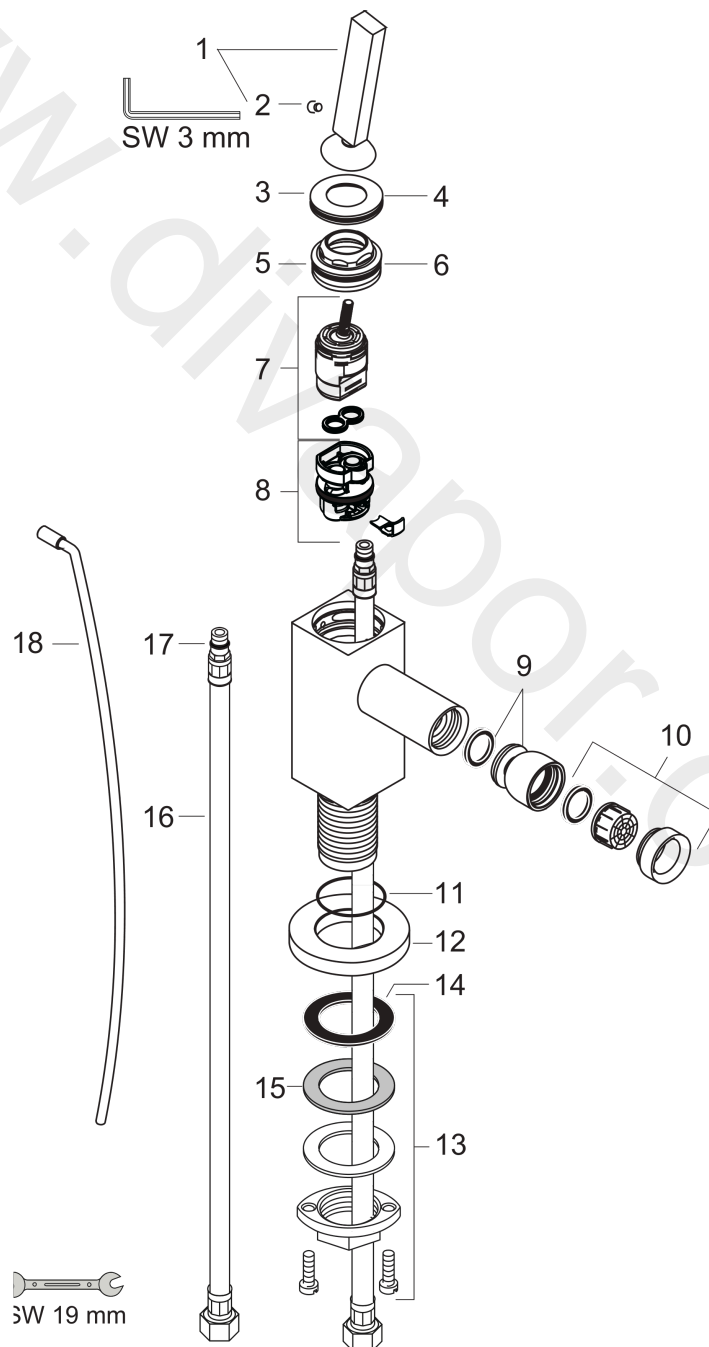


**AXOR Citterio**  
**Single lever bidet mixer with pop-up waste set**  
Finish: **Chrome** Article Number: **39200000**



## Exploded Drawing

Year of production: >10/10



**AXOR Citterio**  
**Single lever bidet mixer with pop-up waste set**  
 Finish: **Chrome** Article Number: **39200000**



## Spare part list

Year of production: >10/10

Pos.		Article Number	Price	PU
1	handle	39091000	£ 173,00	1
2	hollow set screw M6x6	97660000	£ 3,30	1
3	escutcheon	96671000	£ 51,00	1
4	O-ring 33x1,5	98164000	£ 3,30	1
5	nut	97157000	£ 20,50	1
6	O-Ring 30x2	98186000	£ 3,30	1
7	cartridge, assy	96339000	£ 79,00	1
8	adapter for cartridge	92186000	£ 13,30	1
9	ball joint	96050000	£ 43,00	1
10	aerator M24x1 (7 l/min)	94005000	£ 25,00	1
11	O-ring 36x2	98156000	£ 3,30	1
12	escutcheon	95396000	£ 51,00	1
13	fixing set (Ø 32)	13961000	£ 25,00	1
14	sealing washer	97825000	£ 3,30	1
15	lever collar	97548000	£ 3,30	1
16	connection hose 450 mm M8x0,75 G3/8	97206000	£ 35,00	1
33	O-ring 7x1,5	98422000	£ 3,30	1
17	pull rod	96923000	£ 35,00	1
a	pop up waste	94139000	£ 96,00	1
b	fixation extension 35 mm	13898000	£ 79,00	1
c	service tool for disassembling the handle	92124000	£ 137,00	1