

**AXOR Citterio**  
**Single lever bidet mixer with pop-up waste set**  
 Finish: **Chrome** Article Number: **39210000**



### product features

- consists of: single lever bidet mixer, waste set
- projection: 112 mm
- spout height: 74 mm
- aerator with ball pivot
- spray type: laminar spray
- maximum flow rate at 3 bar: 7,2 l/min
- ceramic cartridge
- suitable for continous flow water heaters
- pop-up waste set G 1¼
- connection type: G ¾ connections
- connection dimension: DN15

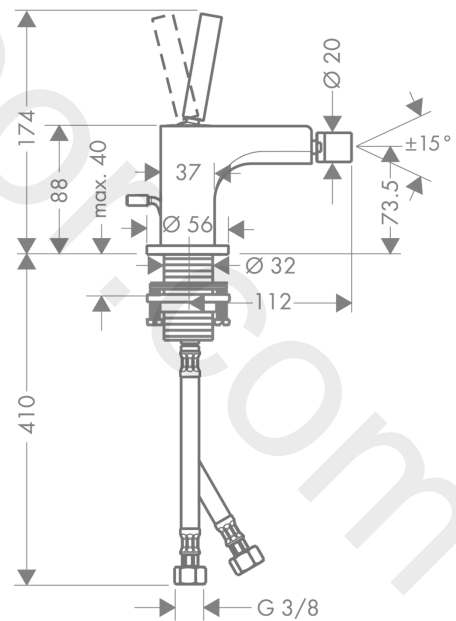
### Article Details

Price excl. VAT 658,33 £

### Product image



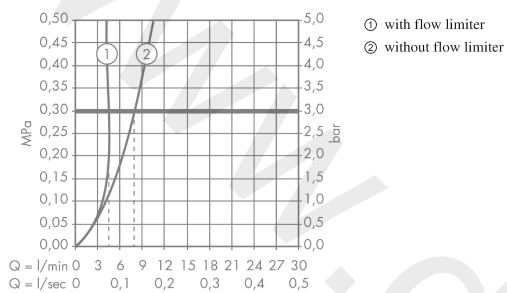
### Scale drawing



**AXOR Citterio**  
**Single lever bidet mixer with pop-up waste set**  
 Finish: **Chrome** Article Number: **39210000**



## Flowchart

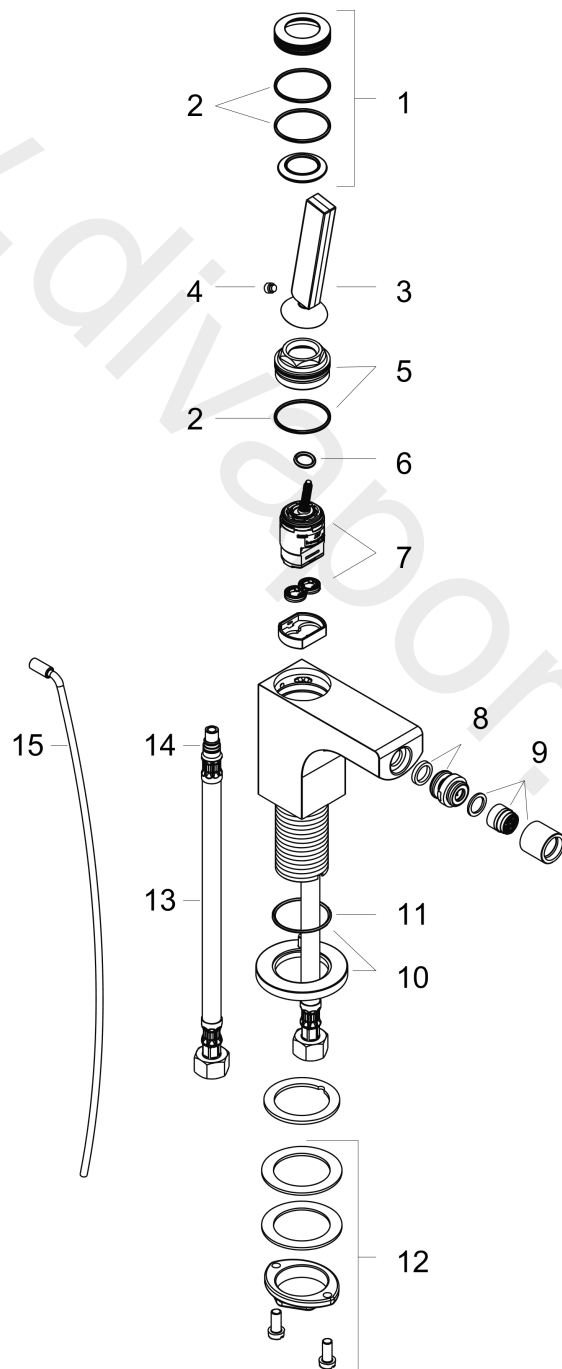


**AXOR Citterio**  
**Single lever bidet mixer with pop-up waste set**  
Finish: **Chrome** Article Number: **39210000**



## Exploded Drawing

Year of production: >06/10



**AXOR Citterio**  
**Single lever bidet mixer with pop-up waste set**  
 Finish: **Chrome** Article Number: **39210000**



## Spare part list

Year of production: >06/10

Pos.		Article Number	Price	PU
1	cover cap	95666000	£ 43,00	1
2	O-ring 30x1,5	98433000	£ 3,30	1
3	handle	39091000	£ 173,00	1
4	hollow set screw M6x6	97660000	£ 3,30	1
5	nut	95667000	£ 25,00	1
6	O-ring 9x2	98119000	£ 3,30	1
7	cartridge, assy	96339000	£ 79,00	1
8	ball joint	97362000	£ 43,00	1
9	aerator laminar M16x1 (7 l/min)	97360000	£ 43,00	1
10	escutcheon	95668000	£ 64,00	1
11	O-ring 33x1,5	98164000	£ 3,30	1
12	fixing set (Ø 32)	13961000	£ 25,00	1
13	connection hose 450 mm M8x0,75 G3/8	97206000	£ 35,00	1
14	O-ring 7x1,5	98422000	£ 3,30	1
15	pull rod	96923000	£ 35,00	1
a	fixation extension 35 mm	13898000	£ 79,00	1
b	service tool for disassembling the handle	92124000	£ 137,00	1