

AXOR Citterio
3-hole basin mixer for concealed installation wall-mounted with spout 162 mm, cross handles and escutcheons

Finish: **Chrome** Article Number: **39313000**



product features

- consists of: 3-hole basin mixer for concealed installation wall-mounted, waste set
- projection: 162 mm
- spray type: normal spray
- maximum flow rate at 3 bar: 5 l/min
- ceramic valves hot/ cold 180°
- suitable for continuous flow water heaters
- non-closing waste set
- connection type: basic set
- connection dimension: DN15
- WRAS 1906035

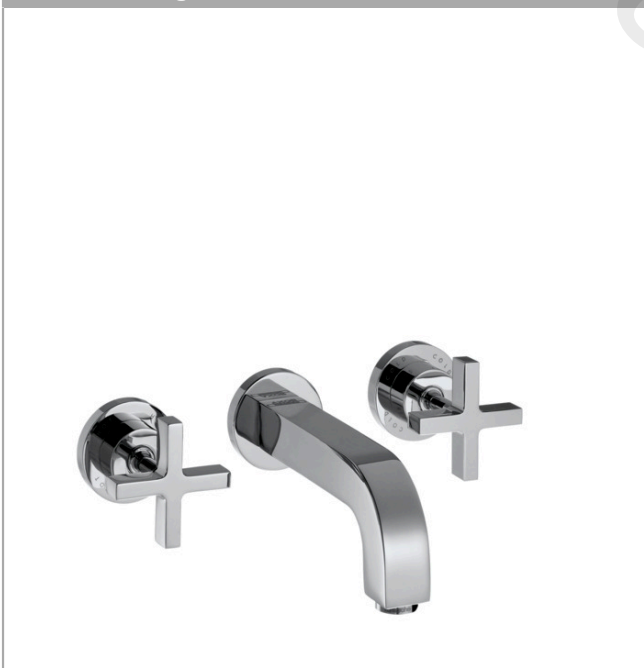
Article Details

Price excl. VAT 608,33 £

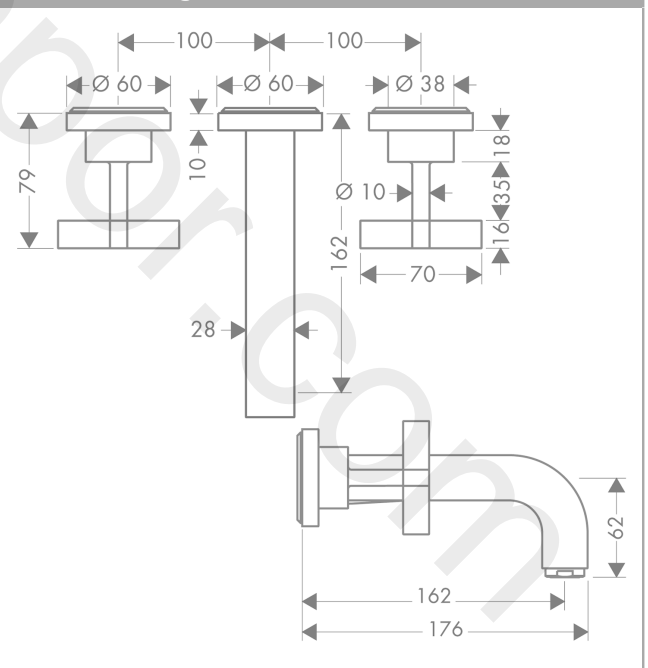
Technology



Product image



Scale drawing



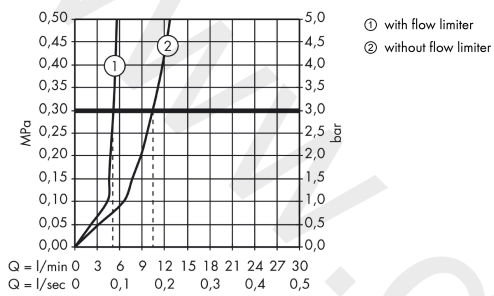
AXOR Citterio

3-hole basin mixer for concealed installation wall-mounted with spout 162 mm, cross handles and escutcheons

Finish: **Chrome** Article Number: **39313000**



Flowchart

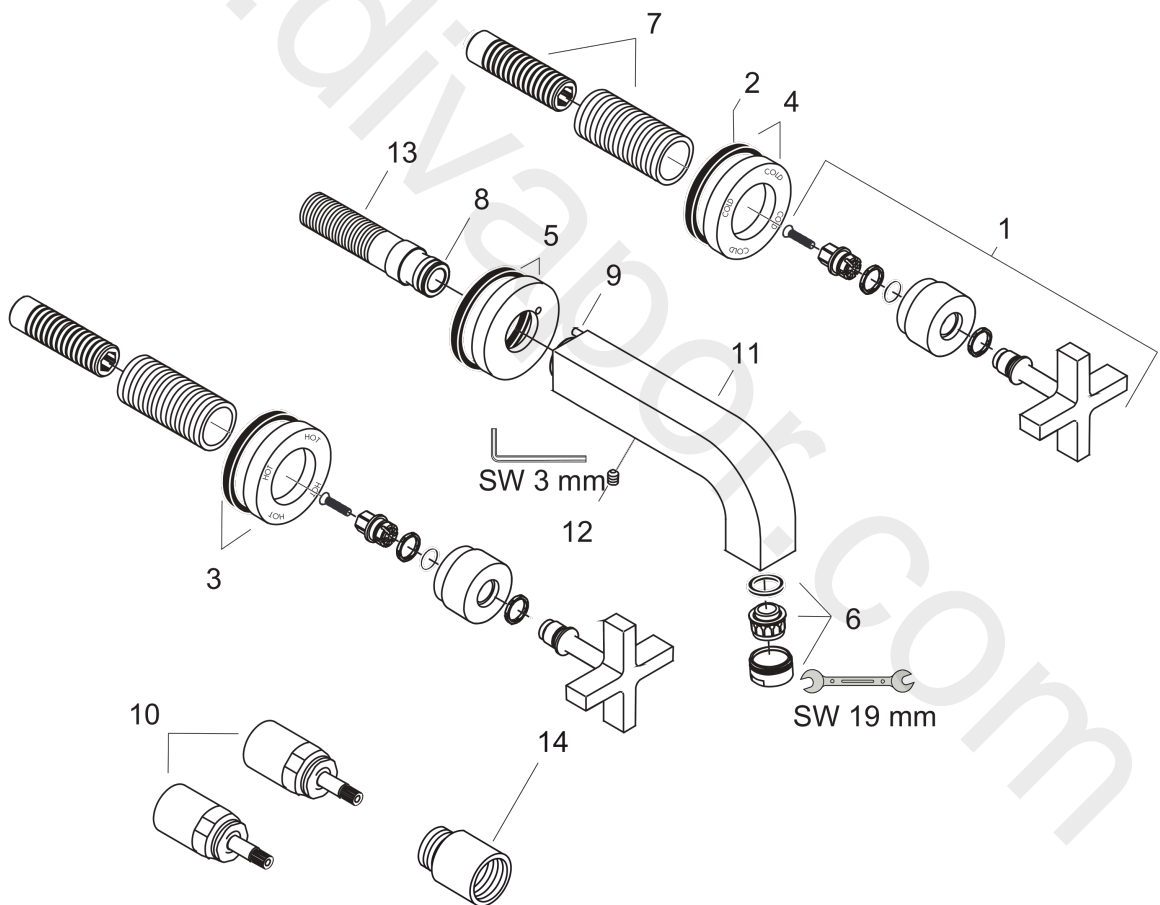


AXOR Citterio
3-hole basin mixer for concealed installation wall-mounted with spout 162 mm, cross handles and escutcheons
Finish: **Chrome** Article Number: **39313000**



Exploded Drawing

Year of production: >01/10



AXOR Citterio
3-hole basin mixer for concealed installation wall-mounted with spout 162 mm, cross handles
and escutcheons
 Finish: **Chrome** Article Number: **39313000**



Spare part list

Year of production: >01/10

Pos.		Article Number	Price	PU
1	handle	39295000	£ 110,00	1
2	seal	97530000	£ 6,10	1
3	escutcheon hot water	96755000	£ 64,00	1
4	escutcheon cold water	96754000	£ 64,00	1
5	escutcheon for spout	96756000	£ 64,00	1
6	aerator M24x1 (5 l/min)	13185000	£ 22,30	1
7	fixing set	96392000	£ 35,00	1
8	O-ring 16x2,5	98134000	£ 3,30	1
9	hollow set screw M4x16	97663000	£ 3,30	1
10	extension 25 mm	96259000	£ 79,00	1
11	spout 160 mm	97238000	£ 370,00	1
12	hollow set screw M6x6	97660000	£ 3,30	1
13	connecting thread G½	97228000	£ 51,00	1
14	extension 25 mm	95413000	£ 79,00	1
a	waste	50001000	£ 71,00	1
b	base body	10303180	£ 300,00	1