

# OEM THERMOSTATIC MIXING VALVES



**quality and reliability**

### Introduction

Inta's OEM thermostatic mixing valves are manufactured to EN1287 and offer the same manufacturing quality and performance you've come to expect from an inta mixing valve. OEM mixing valves offer an alternative to thermostatically protecting your installation where certification is not required.

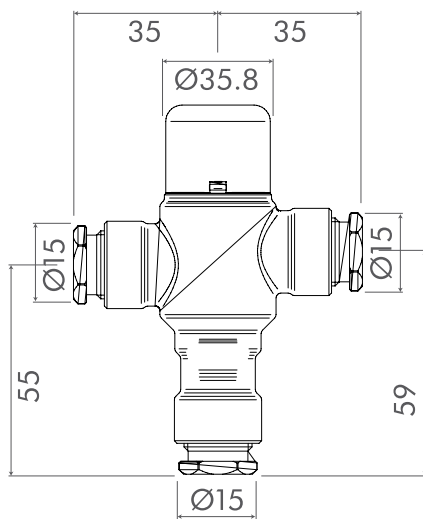


- Manufactured to EN2187
- One piece cartridge for ease of maintenance
- Simple to install
- Robust and reliable
- Off-set inlet connections
- Anti-tamper proof head
- Maximum static pressure 10 bar
- Maximum dynamic pressure 5 bar
- Maximum inlet temperature 85°C
- Kv 1.6 m<sup>3</sup>/h

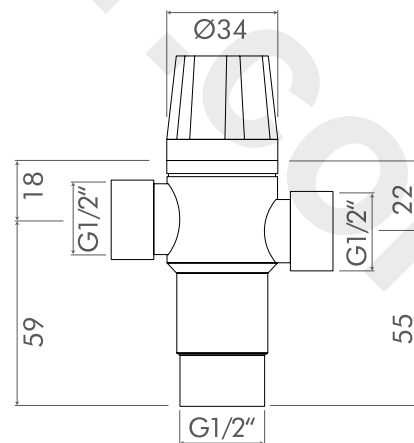
### Description

Offset thermostatic mixing valve 15mm - set temperature 45°C	60096CP
Offset thermostatic mixing valve 1/2" - set temperature 51°C	421015CP*

### ■ Dimensions



60096CP



421015CP