

AXOR Uno

Basin mixer for concealed installation wall-mounted Select with spout 158 mm

Finish: **Chrome** Article Number: **45112000**



product features

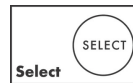
- consists of: basin mixer for concealed installation wall-mounted, waste set
- projection: 158 mm
- handle variant: cylinder handle
- spray type: normal spray
- maximum flow rate at 3 bar: 5 l/min
- Start/stop valve to operate the functions
- separation of temperature control and open/close
- suitable for continuous flow water heaters
- non-closing waste set
- connection type: basic set
- connection dimension: DN15
- handle can be positioned on the right or left, depending on the basic set installation
- EU taxonomy: max. 6 l/min - Substantial Contribution (SC)
- Kiwa UK 1810712
- WRAS 1810310
- WRAS 1810310
- WRAS 1810310 - Approval letter

Article Details

Price excl. VAT

616,67 £

Technology



Quick
Clean

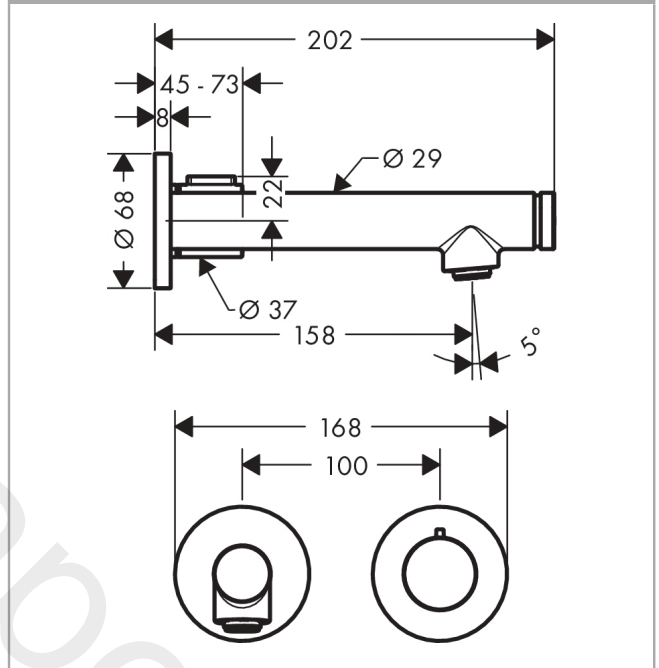
AXOR Uno
Basin mixer for concealed installation wall-mounted Select with spout 158 mm
 Finish: **Chrome** Article Number: **45112000**



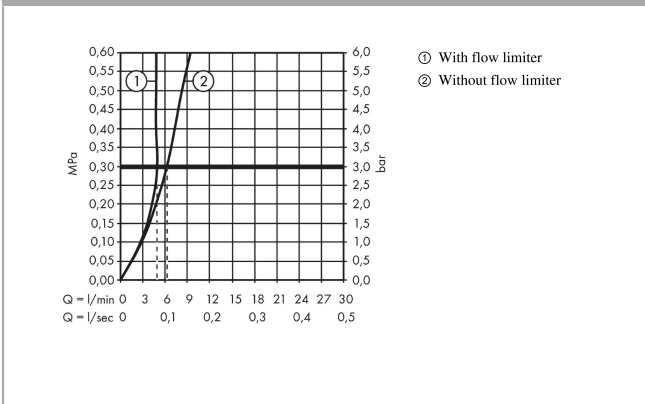
Product image



Scale drawing



Flowchart



AXOR Uno

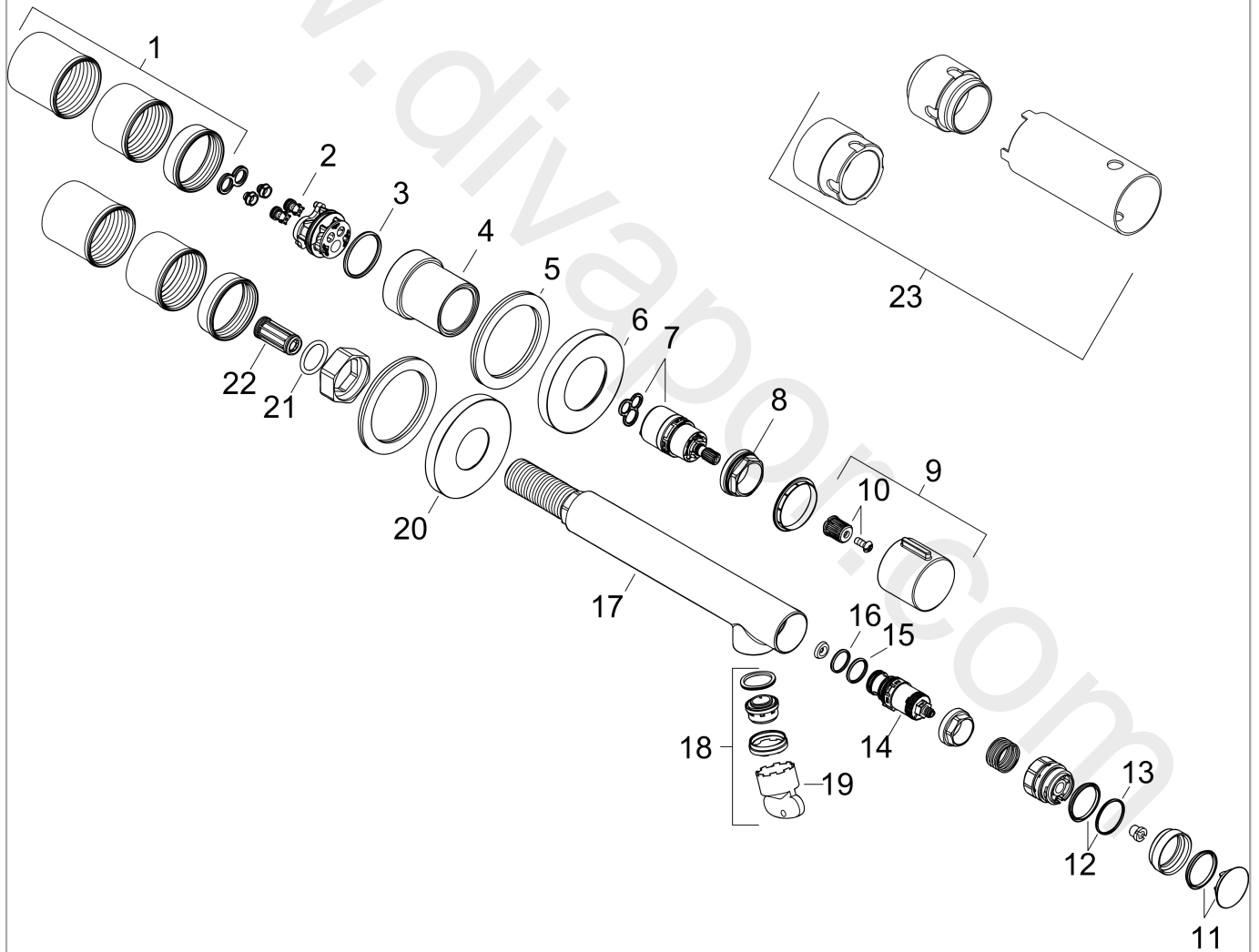
Basin mixer for concealed installation wall-mounted Select with spout 158 mm

Finish: **Chrome** Article Number: **45112000**



Exploded Drawing

Year of production: >04/17



AXOR Uno

Basin mixer for concealed installation wall-mounted Select with spout 158 mm

Finish: **Chrome** Article Number: **45112000**



Spare part list

Year of production: >04/17

Pos.		Article Number	Price	PU
1	fixing set	97971000	£ 43,00	1
2	non return valve	93250000	£ 16,10	1
3	O-ring 26x2	98147000	£ 3,30	1
4	nut	93132000	£ 51,00	1
5	washer	97600000	£ 13,30	1
6	escutcheon Ø 68 mm	93052000	£ 35,00	1
7	cartridge, assy	92970000	£ 64,00	1
8	nut	95178000	£ 43,00	1
9	handle	93125000	£ 51,00	1
10	handle fixing set	98932000	£ 16,10	1
11	cover	92566000	£ 16,10	1
12	sealing set	93133000	£ 13,30	1
13	O-ring 17x1,5	98137000	£ 3,30	1
14	shut off unit	92980000	£ 51,00	1
15	O-Ring 14x1,5	98201000	£ 3,30	1
16	O-ring 13x1,5	98475000	£ 3,30	1
17	spout 160 mm	93130000	£ 110,00	1
18	aerator M24x1 (5 l/min)	92996000	£ 35,00	1
19	service tool	95661000	£ 6,10	1
20	escutcheon Ø 68 mm	93129000	£ 43,00	1
21	O-ring 18x2,5	98139000	£ 3,30	1
22	noise reduction	95009000	£ 9,00	1
23	extension set 25 mm for 13622180	31971000	£ 169,00	1
a	Grease	90920000	£ 16,10	1
b	waste	50001000	£ 71,00	1