

## AXOR Uno

**Basin mixer for concealed installation wall-mounted Select with spout 158 mm**

Finish: **Brushed Nickel** Article Number: **45112820**



### product features

- consists of: basin mixer for concealed installation wall-mounted, waste set
- projection: 158 mm
- handle variant: cylinder handle
- spray type: normal spray
- maximum flow rate at 3 bar: 5 l/min
- Start/stop valve to operate the functions
- separation of temperature control and open/close
- suitable for continuous flow water heaters
- non-closing waste set
- connection type: basic set
- connection dimension: DN15
- handle can be positioned on the right or left, depending on the basic set installation
- EU taxonomy: max. 6 l/min - Substantial Contribution (SC)
- Kiwa UK 1810712
- WRAS 1810310
- WRAS 1810310
- WRAS 1810310 - Approval letter

### Article Details

Price excl. VAT

925,00 £

### Technology



Quick Clean

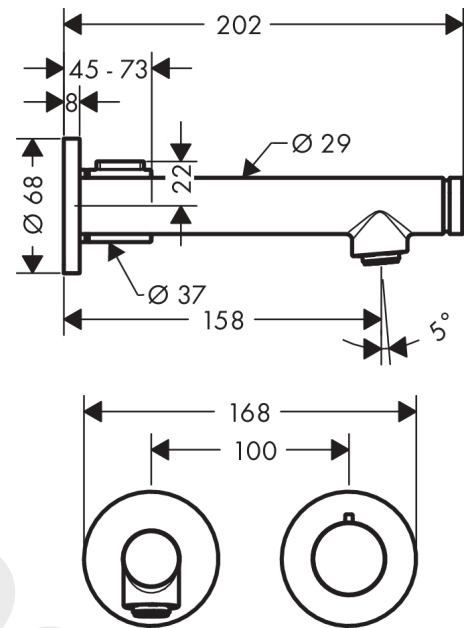
**AXOR Uno**  
**Basin mixer for concealed installation wall-mounted Select with spout 158 mm**  
 Finish: **Brushed Nickel** Article Number: **45112820**



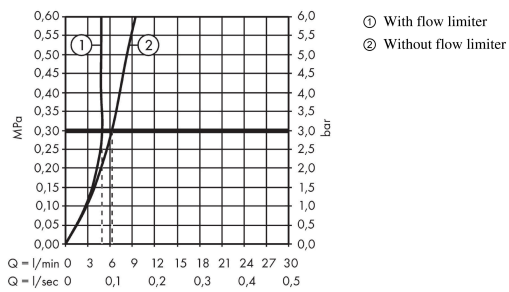
## Product image



## Scale drawing



## Flowchart



## AXOR Uno

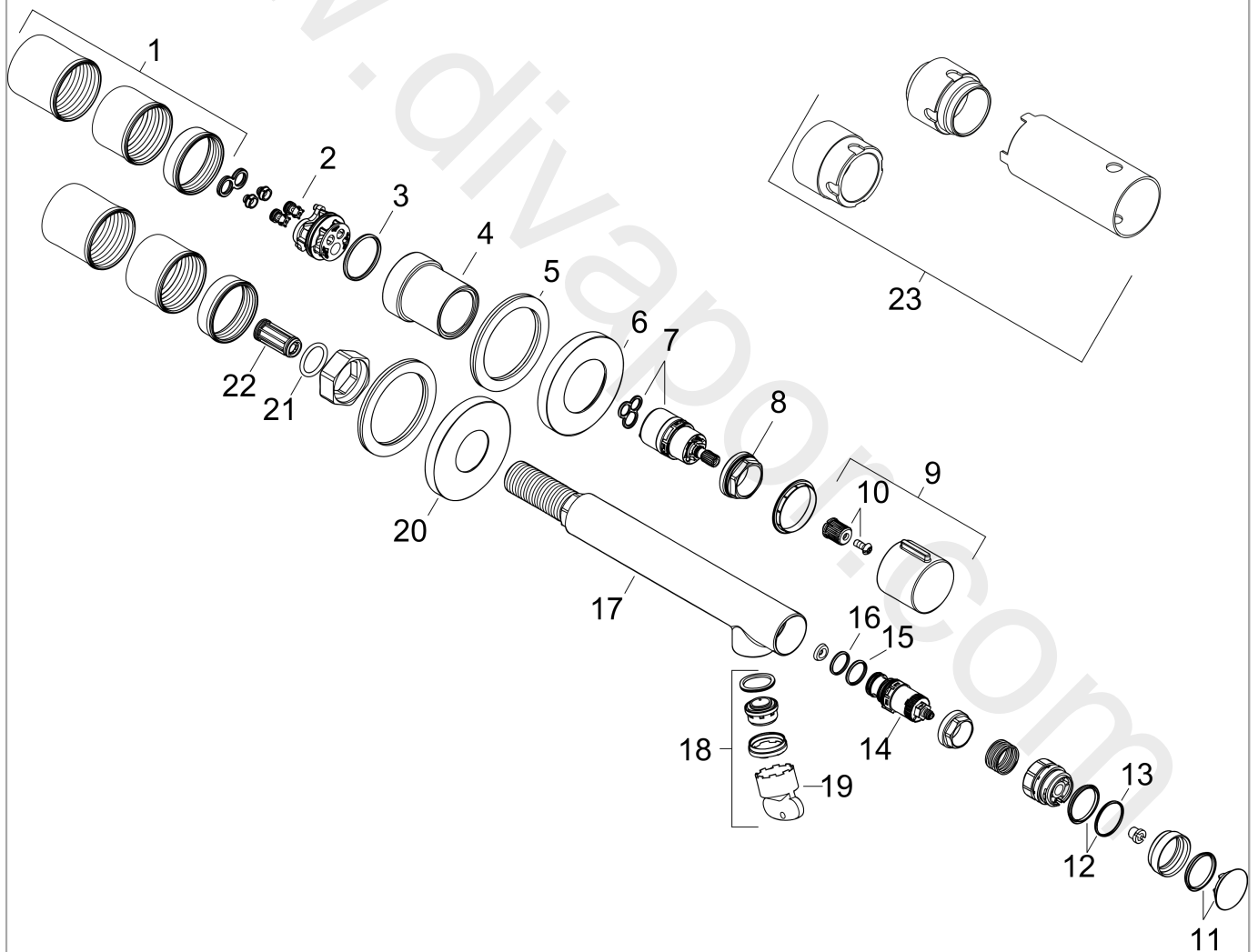
Basin mixer for concealed installation wall-mounted Select with spout 158 mm

Finish: **Brushed Nickel** Article Number: **45112820**



### Exploded Drawing

Year of production: >07/17



## AXOR Uno

Basin mixer for concealed installation wall-mounted Select with spout 158 mm

Finish: **Brushed Nickel** Article Number: **45112820**



### Spare part list

Year of production: >07/17

| Pos. |                                  | Article Number | Price    | PU |
|------|----------------------------------|----------------|----------|----|
| 1    | fixing set                       | 97971000       | £ 43,00  | 1  |
| 2    | non return valve                 | 93250000       | £ 16,10  | 1  |
| 3    | O-ring 26x2                      | 98147000       | £ 3,30   | 1  |
| 4    | nut                              | 93132820       | £ 76,00  | 1  |
| 5    | washer                           | 97600000       | £ 13,30  | 1  |
| 6    | escutcheon Ø 68 mm               | 93052820       | £ 51,00  | 1  |
| 7    | cartridge, assy                  | 92970000       | £ 64,00  | 1  |
| 8    | nut                              | 95178000       | £ 43,00  | 1  |
| 9    | handle                           | 93125820       | -        | 1  |
| 10   | handle fixing set                | 98932000       | £ 16,10  | 1  |
| 11   | cover                            | 92566820       | £ 25,00  | 1  |
| 12   | sealing set                      | 93133000       | £ 13,30  | 1  |
| 13   | O-ring 17x1,5                    | 98137000       | £ 3,30   | 1  |
| 14   | shut off unit                    | 92980000       | £ 51,00  | 1  |
| 15   | O-Ring 14x1,5                    | 98201000       | £ 3,30   | 1  |
| 16   | O-ring 13x1,5                    | 98475000       | £ 3,30   | 1  |
| 17   | spout 160 mm                     | 93130820       | £ 173,00 | 1  |
| 18   | aerator M24x1 (5 l/min)          | 92996000       | £ 35,00  | 1  |
| 19   | service tool                     | 95661000       | £ 6,10   | 1  |
| 20   | escutcheon Ø 68 mm               | 93129820       | £ 64,00  | 1  |
| 21   | O-ring 18x2,5                    | 98139000       | £ 3,30   | 1  |
| 22   | noise reduction                  | 95009000       | £ 9,00   | 1  |
| 23   | extension set 25 mm for 13622180 | 31971000       | £ 169,00 | 1  |
| a    | waste                            | 50001820       | £ 106,56 | 1  |