

AXOR Uno

Basin mixer for concealed installation wall-mounted Select with spout 221 mm

Finish: **Chrome** Article Number: **45113000**



product features

- consists of: basin mixer for concealed installation wall-mounted, waste set
- projection: 221 mm
- handle variant: cylinder handle
- spray type: normal spray
- maximum flow rate at 3 bar: 5 l/min
- Start/stop valve to operate the functions
- separation of temperature control and open/close
- suitable for continuous flow water heaters
- non-closing waste set
- connection type: basic set
- connection dimension: DN15
- handle can be positioned on the right or left, depending on the basic set installation
- EU taxonomy: max. 6 l/min - Substantial Contribution (SC)
- Kiwa UK 1810712
- WRAS 1810310
- WRAS 1810310
- WRAS 1810310 - Approval letter

Article Details

Price excl. VAT

658,33 £

Technology



Certificates / Sustainability



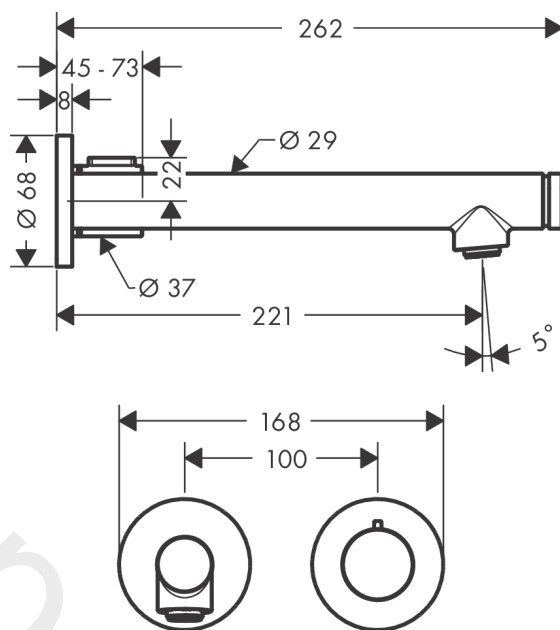
AXOR Uno
Basin mixer for concealed installation wall-mounted Select with spout 221 mm
 Finish: **Chrome** Article Number: **45113000**



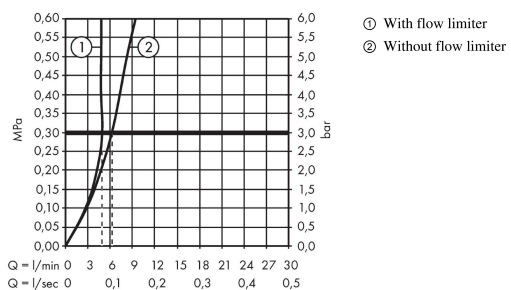
Product image



Scale drawing



Flowchart

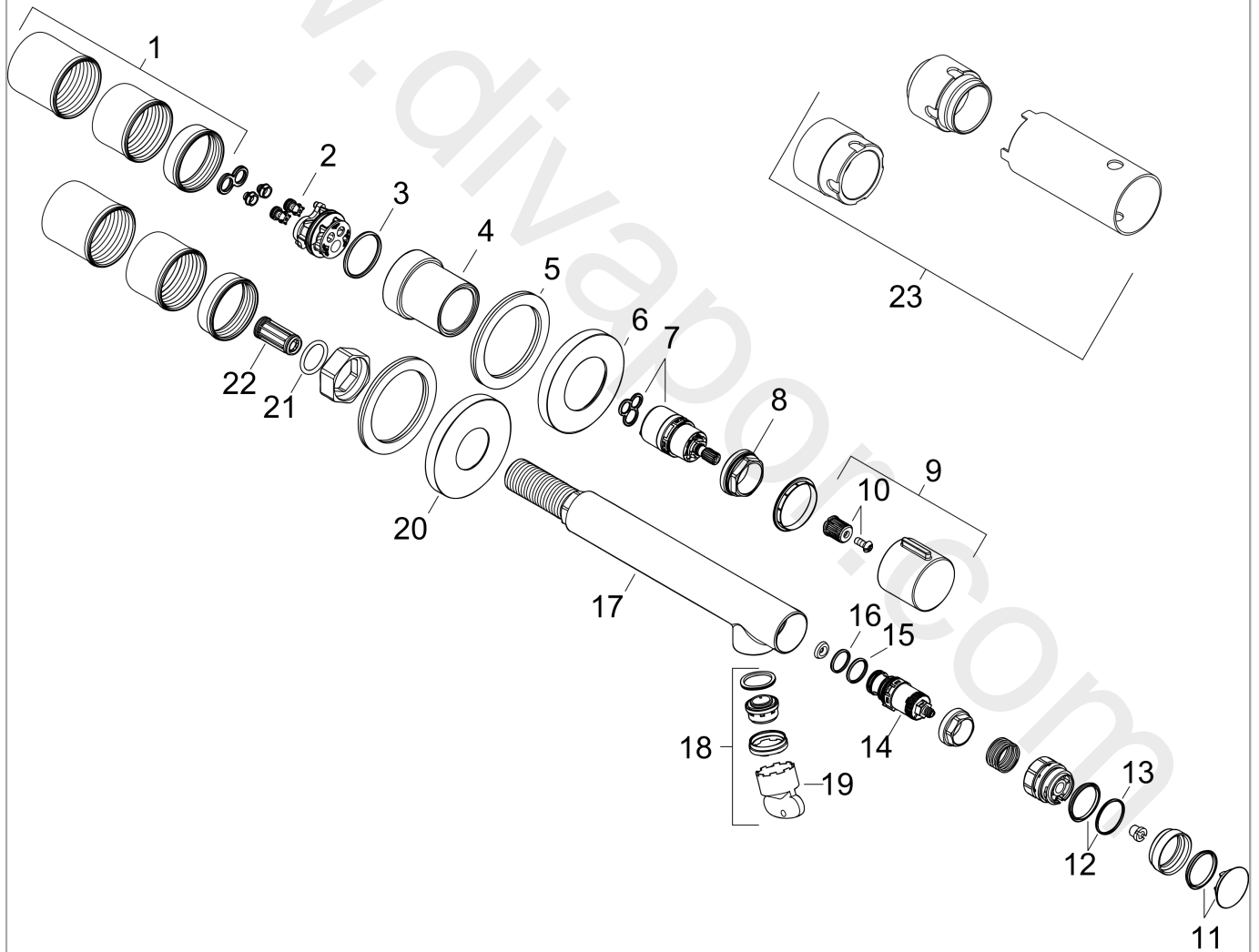


AXOR Uno
Basin mixer for concealed installation wall-mounted Select with spout 221 mm
Finish: **Chrome** Article Number: **45113000**



Exploded Drawing

Year of production: >04/17



AXOR Uno

Basin mixer for concealed installation wall-mounted Select with spout 221 mm

Finish: **Chrome** Article Number: **45113000**



Spare part list

Year of production: >04/17

| Pos. | | Article Number | Price | PU |
|------|----------------------------------|----------------|----------|----|
| 1 | fixing set | 97971000 | £ 43,00 | 1 |
| 2 | non return valve | 93250000 | £ 16,10 | 1 |
| 3 | O-ring 26x2 | 98147000 | £ 3,30 | 1 |
| 4 | nut | 93132000 | £ 51,00 | 1 |
| 5 | washer | 97600000 | £ 13,30 | 1 |
| 6 | escutcheon Ø 68 mm | 93052000 | £ 35,00 | 1 |
| 7 | cartridge, assy | 92970000 | £ 64,00 | 1 |
| 8 | nut | 95178000 | £ 43,00 | 1 |
| 9 | handle | 93125000 | £ 51,00 | 1 |
| 10 | handle fixing set | 98932000 | £ 16,10 | 1 |
| 11 | cover | 92566000 | £ 16,10 | 1 |
| 12 | sealing set | 93133000 | £ 13,30 | 1 |
| 13 | O-ring 17x1,5 | 98137000 | £ 3,30 | 1 |
| 14 | shut off unit | 92980000 | £ 51,00 | 1 |
| 15 | O-Ring 14x1,5 | 98201000 | £ 3,30 | 1 |
| 16 | O-ring 13x1,5 | 98475000 | £ 3,30 | 1 |
| 17 | spout 220 mm | 93131000 | £ 224,00 | 1 |
| 18 | aerator M24x1 (5 l/min) | 92996000 | £ 35,00 | 1 |
| 19 | service tool | 95661000 | £ 6,10 | 1 |
| 20 | escutcheon Ø 68 mm | 93129000 | £ 43,00 | 1 |
| 21 | O-ring 18x2,5 | 98139000 | £ 3,30 | 1 |
| 22 | noise reduction | 95009000 | £ 9,00 | 1 |
| 23 | extension set 25 mm for 13622180 | 31971000 | £ 169,00 | 1 |
| a | base body | 13622180 | £ 355,00 | 1 |
| b | Grease | 90920000 | £ 16,10 | 1 |
| c | waste | 50001000 | £ 71,00 | 1 |