

AXOR Uno

3-hole basin mixer 200 with zero handles and pop-up waste set 2 ticks

Finish: **Chrome** Article Number: **45134009**



product features

- consists of: 3-hole basin mixer, waste set
- ComfortZone 200
- projection: 183 mm
- spout height: 201 mm
- handle variant: cylinder handle
- swivel range 110°
- spray type: laminar spray
- maximum flow rate at 3 bar: 3,6 l/min
- ceramic valves hot/cold 90°
- pop-up waste set G 1¼
- connection type: G ½ connections
- connection dimension: DN15

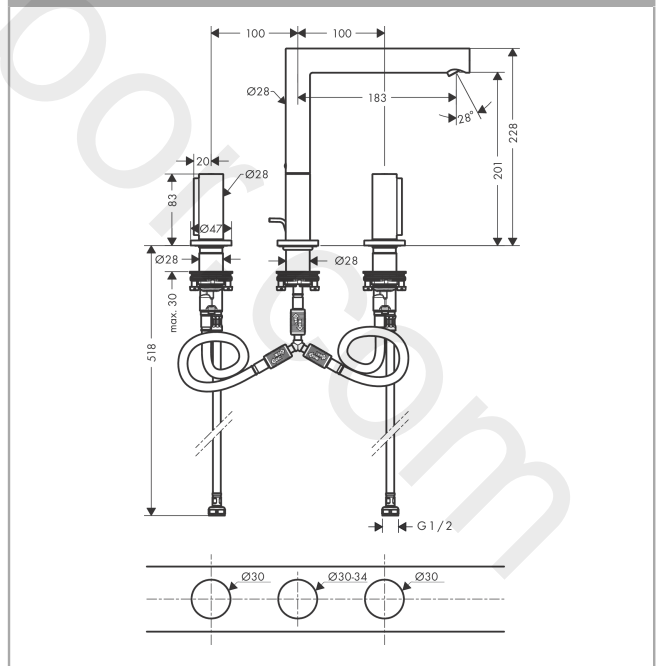
Technology



Product image



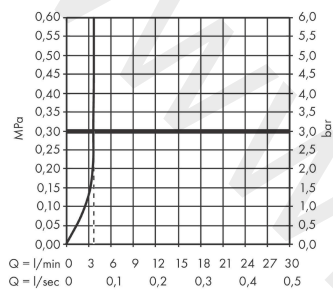
Scale drawing



AXOR Uno
3-hole basin mixer 200 with zero handles and pop-up waste set 2 ticks
Finish: **Chrome** Article Number: **45134009**



Flowchart

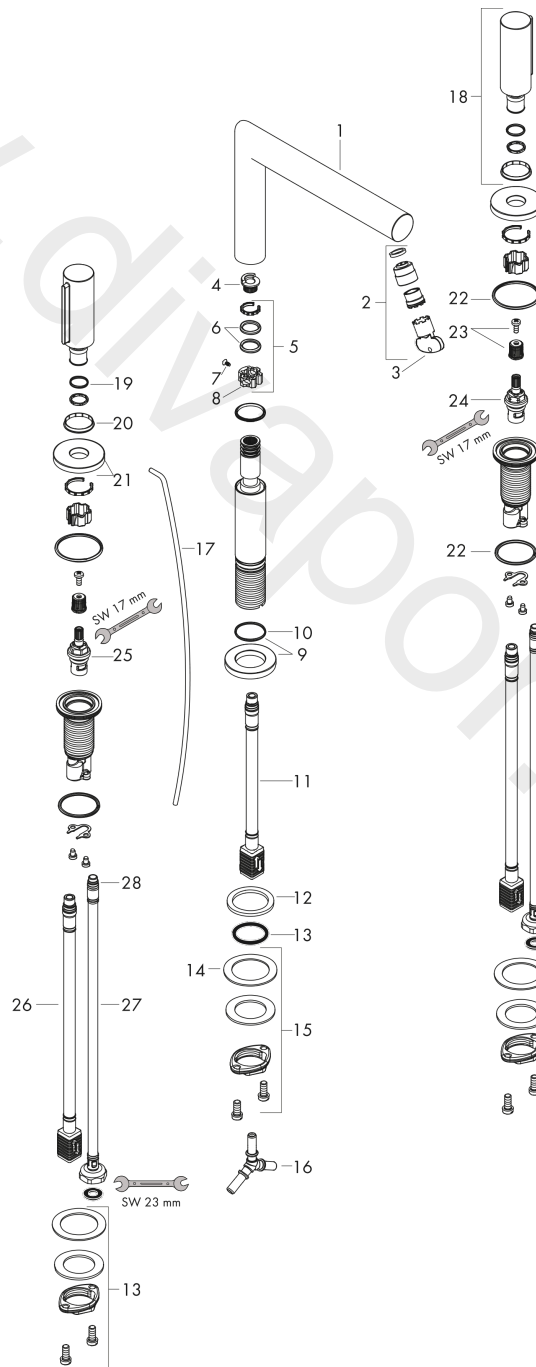


AXOR Uno
3-hole basin mixer 200 with zero handles and pop-up waste set 2 ticks
 Finish: **Chrome** Article Number: **45134009**



Exploded Drawing

Year of production: >04/20



AXOR Uno
3-hole basin mixer 200 with zero handles and pop-up waste set 2 ticks
 Finish: **Chrome** Article Number: **45134009**



Spare part list

Year of production: >04/20

Pos.		Article Number	Price	PU
1	spout cpl.	93150000	£ 275,00	1
2	aerator M16,5x1 (3,8 l/min)	93805000	£ 43,00	1
3	special tool	98987000	£ 9,00	1
4	set of locating rings (110° / 150°)	98486000	£ 16,10	1
5	sealing set	92646000	£ 20,50	1
6	O-Ring 14x2,5	98189000	£ 3,30	1
7	screw	97662000	£ 9,00	1
8	axialring	97558000	£ 3,30	1
9	escutcheon for spout	92957000	£ 51,00	1
10	O-ring 25x1,5	98146000	£ 3,30	1
11	connection hose 200 mm M10x1	92913000	£ 51,00	1
12	flat seal	98749000	£ 6,10	1
13	O-ring 26x4	92191000	-	1
14	fixing set (Ø 28)	92909000	£ 43,00	1
15	lever collar	97548000	£ 3,30	1
16	hose connection angel	92905000	£ 43,00	1
17	pull rod	97158000	£ 25,00	1
18	handle	92959000	£ 79,00	1
19	O-Ring 14x1,5	98201000	£ 3,30	1
20	set of color-rings cold / hot water	96319000	£ 9,00	1
21	escutcheon for handle	92956000	£ 35,00	1
22	O-ring 33x2,5	92907000	£ 3,30	1
23	handle fixing set	98932000	£ 16,10	1
24	shut off unit left closing	95366000	£ 43,00	1
25	shut off unit right closing	98817000	£ 35,00	1
26	connection hose 400 mm M10x1	92914000	£ 64,00	1
27	connection hose 450 mm G½	93020000	£ 35,00	1
28	O-ring 6,6x1,6	93019000	£ 3,30	1
a	pop up waste	94139000	£ 96,00	1
b	pop up waste	94139007	-	1