

## AXOR Edge

### Single lever basin mixer 190 with push-open waste set - diamond cut

Finish: **Chrome** Article Number: **46021000**



#### product features

- consists of: single lever basin mixer, waste set
- ComfortZone 190
- projection: 175 mm
- spout height: 199 mm
- handle variant: lever handle
- spray type: normal spray
- maximum flow rate at 3 bar: 5 l/min
- ceramic cartridge
- temperature limitation adjustable
- suitable for continuous flow water heaters
- push-open waste set G 1¼
- material waste set: metal
- connection type: G ¾ connections
- connection dimension: DN15
- EU taxonomy: max. 6 l/min - Substantial Contribution (SC)
- WRAS 1907353

#### Article Details

Price excl. VAT

1.358,33 £

#### Technology



#### Design awards



reddot award 2019  
best of the best

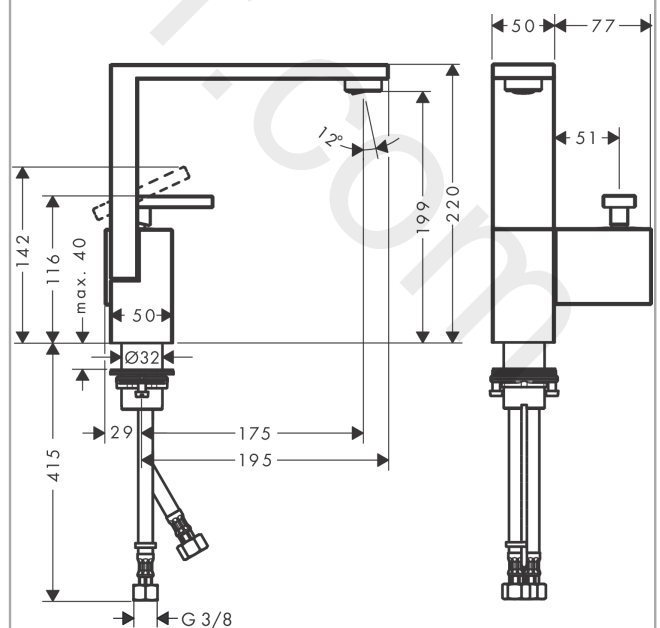


GERMAN  
DESIGN  
AWARD  
WINNER  
2020

#### Product image



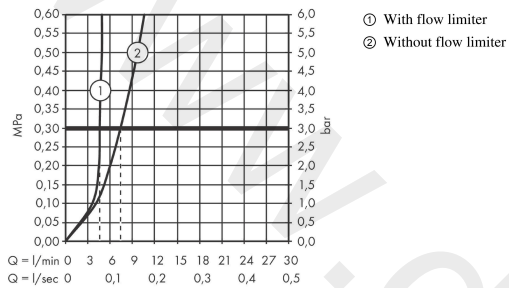
#### Scale drawing



**AXOR Edge**  
**Single lever basin mixer 190 with push-open waste set - diamond cut**  
Finish: **Chrome** Article Number: **46021000**



## Flowchart

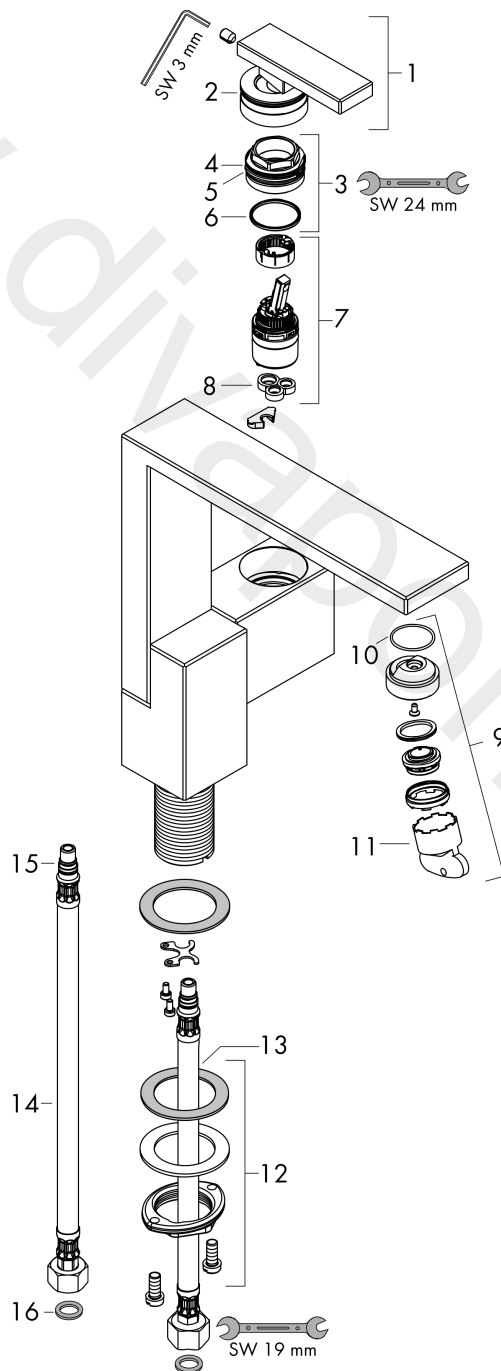


**AXOR Edge**  
**Single lever basin mixer 190 with push-open waste set - diamond cut**  
Finish: **Chrome** Article Number: **46021000**



## Exploded Drawing

Year of production: >06/19



**AXOR Edge**  
**Single lever basin mixer 190 with push-open waste set - diamond cut**  
 Finish: **Chrome** Article Number: **46021000**



## Spare part list

Year of production: >06/19

Pos.		Article Number	Price	PU
1	handle	93424000	£ 275,00	1
2	O-ring 33x1,5	98164000	£ 3,30	1
3	nut	92926000	£ 16,10	1
4	O-ring 30x1,5	98433000	£ 3,30	1
5	O-ring 25x1,5	98146000	£ 3,30	1
6	O-ring 29x2	98391000	£ 3,30	1
7	cartridge, assy	92900000	£ 64,00	1
8	seal	93383000	£ 13,30	1
9	aerator M24x1 (5 l/min)	93426000	£ 79,00	1
10	O-ring 22x1,2	98397000	-	1
11	service tool	95661000	£ 6,10	1
12	fixing set (Ø 32)	13961000	£ 25,00	1
13	lever collar	97548000	£ 3,30	1
14	connection hose 450 mm M8x0,75 G3/8	97206000	£ 35,00	1
15	O-ring 7x1,5	98422000	£ 3,30	1
16	sealing set	95581000	£ 6,10	1
a	push-open waste set	51300000	£ 94,00	1
b	fixation extension 35 mm	13898000	£ 79,00	1